

# FASTPLANK® SYSTEMS

| INSTALLATION GUIDE

High Performance Aluminum Plank Siding System



# Table of Contents

	<b>Page</b>
Product Description . . . . .	3
Features . . . . .	3
Stock Woodgrain and Solid Colors . . . . .	4
Before You Get Started . . . . .	5
Installation Support . . . . .	6
Care & Maintenance . . . . .	6
Storage & Handling . . . . .	6
Personal Protection Equipment (PPE) . . . . .	7
Tools & Accessories . . . . .	8
System Info . . . . .	9
Wall Preparation . . . . .	11
Expansion & Contraction Requirements . . . . .	12
Fastener Info . . . . .	13
Profile Legend . . . . .	14
Basic Install Process . . . . .	17
Basic Window Trim & Plank Install Process . . . . .	26
Product Warranty . . . . .	30



## Product Description

FastPlank® Systems is a aluminum plank siding system with built-in rainscreen. It is highly durable providing superior protection against wind, hail, and fire. Planks come in both 4" and 6" V-NOTCH™ profiles that can be applied horizontally, diagonally, or any other creative application to elevate your curb appeal. FastPlank® can be removed, easily repainted or refinished, and re-installed at a fraction of the cost and time of a complete siding replacement.



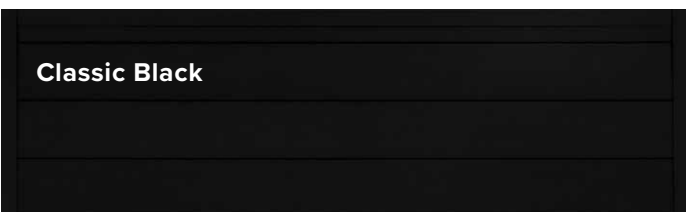
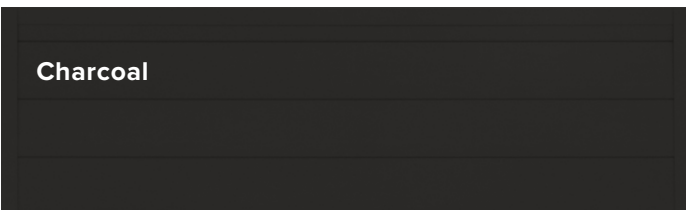
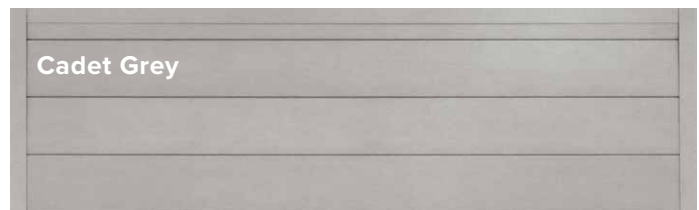
## Features

- ✓ Built-In Moisture Management
- ✓ Concealed Fasteners
- ✓ Hail / Impact Resistant
- ✓ Non-Combustible
- ✓ Fade Resistant
- ✓ Complimentary Color Samples
- ✓ No Obligation, Free Estimates
- ✓ Mock-up Material Available at No Charge



## Stock Woodgrain and Solid Colors

Choose from four woodgrains, our four standard colors or ask us to find out more about ColorMatch options. Some color options may be subject to minimum order quantities and/or longer lead times. Please inquire with your local dealer or distributor.



- ✓ Woodgrain sublimation by Sublitouch (by Sublitex) with Qualideco Class 2 rating
- ✓ High quality, high-definition “Touch” finish for impeccable realism
- ✓ Durable and maintenance-free
- ✓ Eco-friendly and sustainable production process
- ✓ Superior selection of woodgrain patterns and colors
- ✓ 20-year finish warranty

All FastPlank™ finishes are durable, maintenance-free, and come with a 20-year warranty. The FastPlank™ V-NOTCH™ System 20-Year Finish Warranty is extended to original purchasers of the FastPlank™ V-NOTCH™ System. This Warranty is for the benefit of the original property owner who purchased the product and is not transferable.

## Before You Get Started

- ✓ Follow your local building codes and project specifications.
- ✓ Wear appropriate safety equipment and ensure a safe work environment.
- ✓ Ensure that you have ALL the correct tools and they are in safe working order.
- ✓ Material will be received on an pallet (Figure 4.1). Pallet size will vary (typical pallet size is 12'-16' L x 33" W x 24"-32" T). All products will be labeled separately. Inspect all material for damage, defect, correct color, correct color consistency, and correct trim specification.
- ✓ Verify your labels to ensure you have all the correct components for your order, each bag is labeled.
- ✓ All one-piece profiles are wrapped and labeled on the bag tag for type and finish.
- ✓ All two piece profiles (top caps and back plates) are bagged individually and wrapped together. The labels for two piece profiles are identified with joint labels showing both components. Verify what is in the bag.

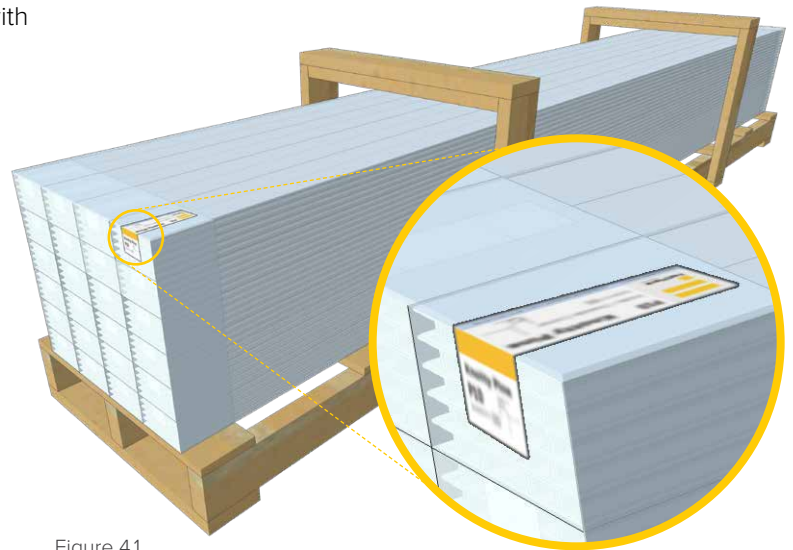


Figure 4.1



**IMPORTANT**

Choose planks from multiple bundles of material to mix different patterns. Avoid using identical plank patterns on successive rows.



**IMPORTANT:**

Failure to complete all of these initial steps to get started may impact product performance, void the product and/or finish warranty, impact project time/budget, and increase the risk of personal injury.

## Installation Support

Our Installation Support Team is available for additional instruction, to ensure that your project is executed not only correctly, but efficiently – saving you time and money.

Please contact us at 1-877-973-8746 to reach our dedicated Installation Support Team.



## Care & Maintenance

FastPlank Systems are designed to be maintenance free and do not require any specific care or maintenance after installation. If needed, mild soap can be used to clean the surface.

## Storage & Handling

Product may be stored outdoors; moisture and temperature will not damage aluminum.

Do not stack other material on top of trims or Planks.

To avoid any unnecessary damage, do not slide or drag trims on the ground or against any abrasive surface



## Personal Protection Equipment (PPE)

We recommend the appropriate use and application of the following PPE during installation.

1. Steel Toe Boots
2. Cut Resistant Gloves
3. Safety Glasses
4. Hard Hat
5. Ear Protection
6. Safety Vest
7. Fall Protection
8. Dust Mask
9. First Aid Kit



**WARNING**

Consult your local safety codes and regulations.

## Tools & Accessories

The following general tools will also be required for installation:

1. Sawhorses / worktables
2. Mitre saw with non-ferrous metal cutting blade
3. Power cord
4. Impact driver / drill, with appropriate bits
5. Drill bit set
6. Carpenter's pencil
7. Chalk line
8. Level
9. Carpenter's square
10. EasyTrim Reveals® HammerBlock®
11. Hammer
12. Rubber dead blow hammer
13. Tape measure
14. Pocket laser level
15. Utility knife
16. Needle nose pliers
17. Pry bar
18. Tin snips



## System Info

Most trims are a two piece design. Each will have a back plate that is installed prior to Plank installation and a top cap that is clipped into the back plate after the Planks have been installed. (Figure 8.1)

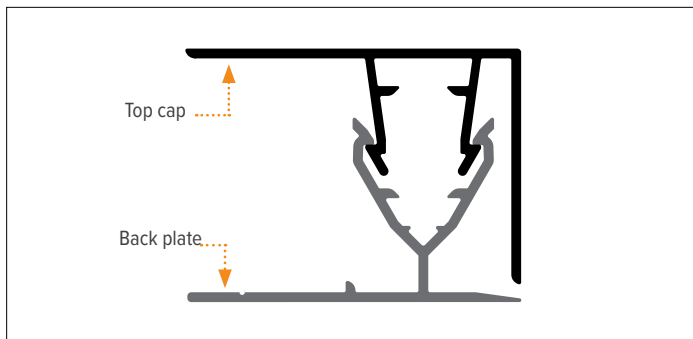


Figure 8.1

The inside / outside corner is finished on both trims because depending if you want and inside or outside corner you would use the same components but just reverse the order of install. (Figure 8.2)

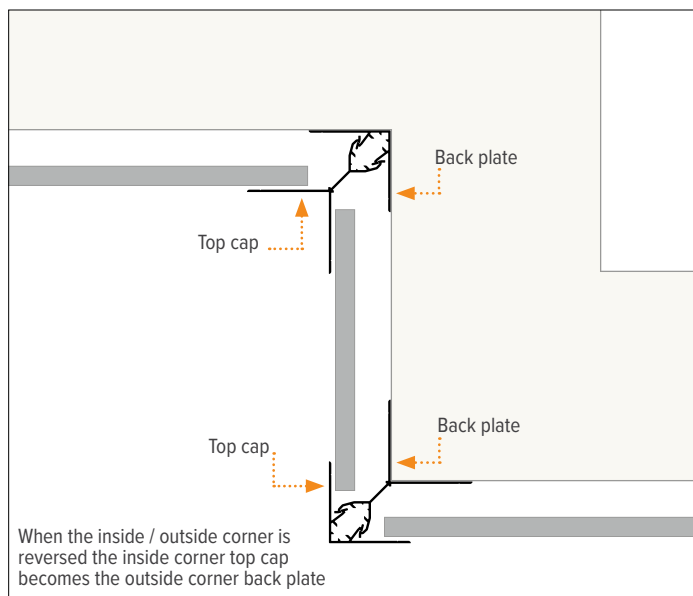


Figure 8.2

All ends of Planks need a Plank Clip fastened through the fastener line with the exception of inside corners. (Figure 8.3)

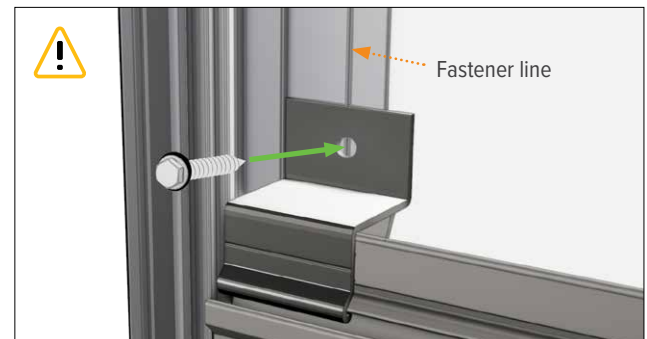


Figure 8.3

Inside corners should have a Plank Backer behind the upper portion of the exposed face of the Plank. The Plank Backer should be fastened through the fastener line of the inside corner back plate. (Figure 8.4)



Figure 8.4



### IMPORTANT

Clips must be fastened onto the fastener line at both ends of the Plank except with inside corners. (Figure 8.3)

The Plank Clip allows for expansion of the Planks which prevents buckling and bowing. (Figure 9.1)

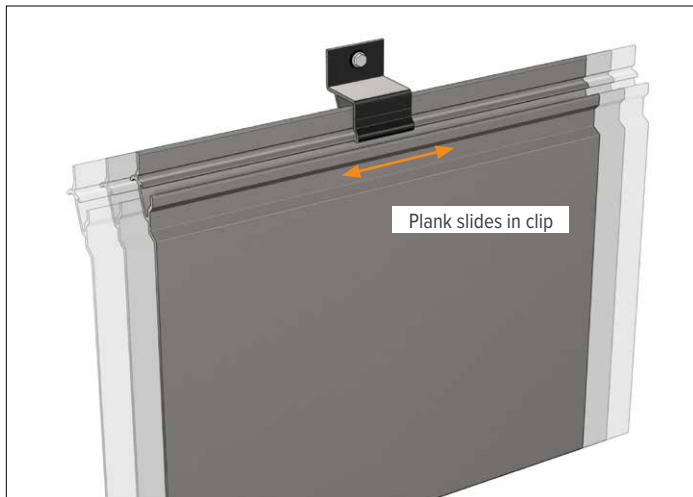


Figure 9.1

**NOTE:** Some other systems have expansion clips but they fail to allow the Plank to move freely so the same warping occurs.

Traditional plank systems bind the plank at each fastener point trapping the plank and forcing it to expand out from the wall causing a wavy warped exterior appearance. (Figure 9.2 a & b)

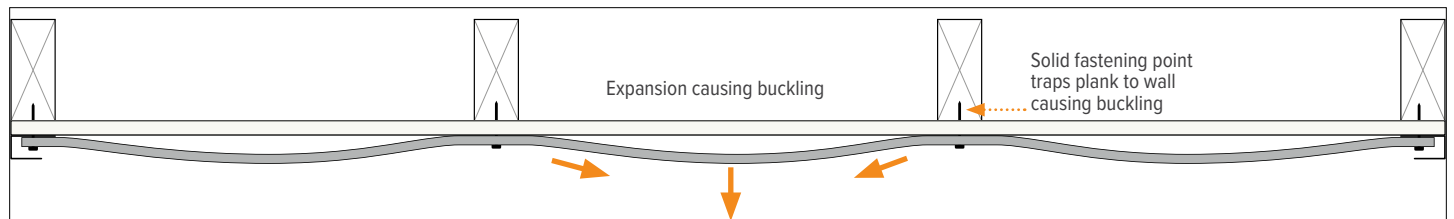


Figure 9.2 a

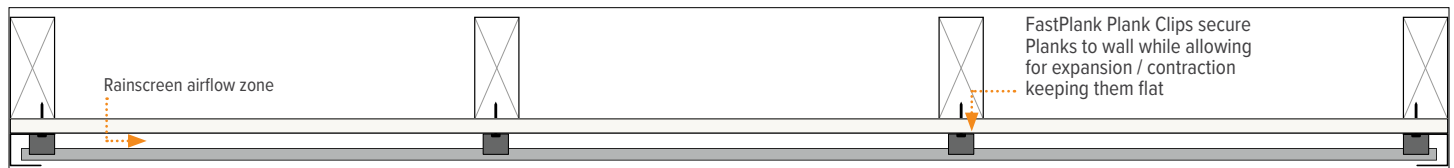
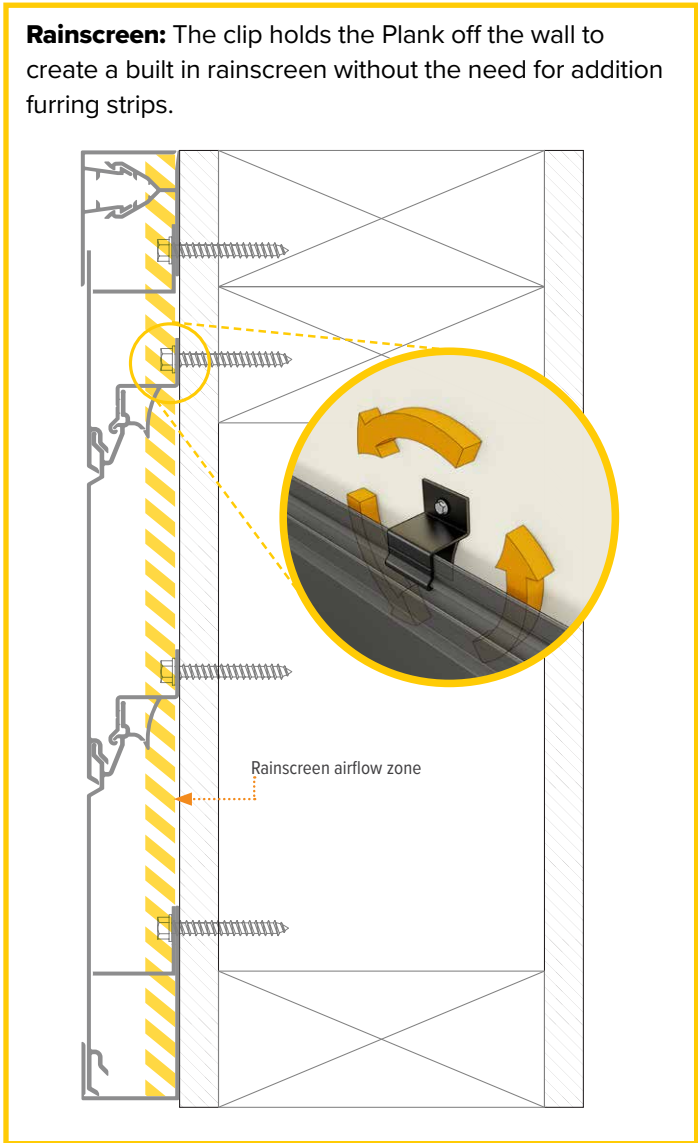


Figure 9.2 b



## Wall Preparation

Follow local building codes for all primary flashing details before starting FastPlank install.

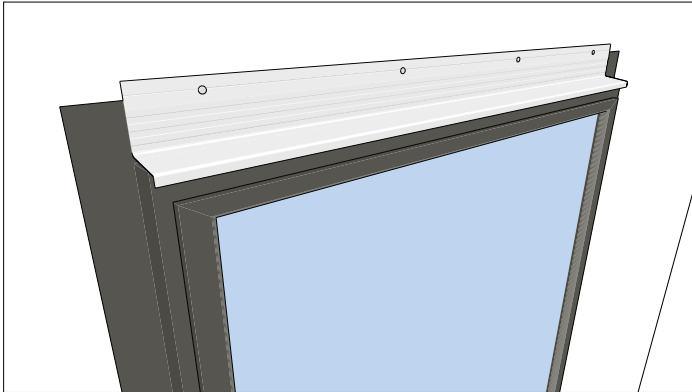


Figure 10.1

Ensure the proper air and water barrier (AWB) has been installed as per your local building code and project specifications. (Figure 10.2)

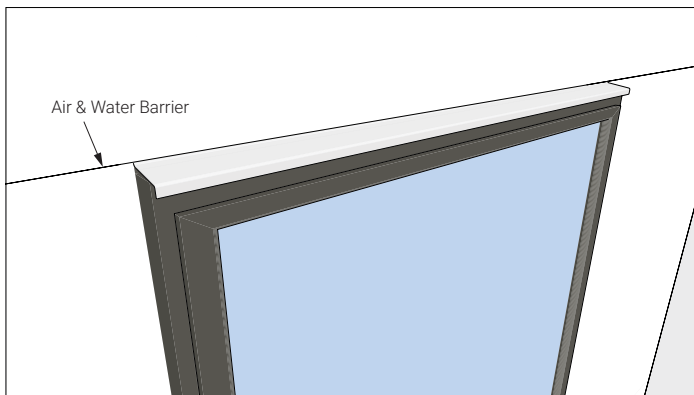


Figure 10.2

### Identify your substrate material:

- Direct to wood substrate
- Wood furring
- Metal furring (hat track / girts)
- Plastic furring strips

#### **Note:**

*If you have questions about your substrate material or alternative substrate fastening scenario – please contact our Installation Support Team at 1-877-973-8746*

### Using Furring Strips

When installing two piece trim profile assemblies on top of furring strips, a continuous furring strip is required to ensure proper engagement of the trims. (Figure 10.3)

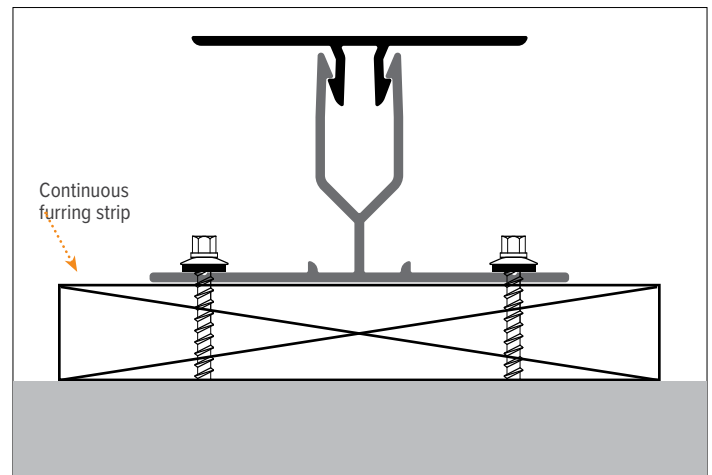


Figure 10.3

## Expansion & Contraction Requirements

All planks need to have a gap between the end of the plank and the wall of the trim (Figure 9.1). To determine the amount of total gap needed, use the chart on the right by cross referencing the **Plank Length** and the **Ambient Temperature at the Time of Install**. To cut a plank measure the space between the trims and reduce the measurement by the total gap then install the plank centered between the trims so that the total gap is split equally at each end.

Plank Length	Ambient Temperature at Time of Install		
	-10°C (14°F)	10°C (50°F)	30°C (86°F)
16'	-10mm (-3/8")	-8mm (-5/16")	-6mm (-1/4")
32'*	-20mm (-3/4")	-16mm (-5/8")	-12mm (-1/2")

**Note:** Planks come in 16' length and can be joined together with a Plank Connector for a maximum length of 32'

**Example:**

Plank Length	Ambient Temperature at Time of Install		
	-10°C (14°F)	10°C (50°F)	30°C (86°F)
16'	-10mm (-3/8")	-8mm (-5/16")	-6mm (-1/4")
32'	-20mm (-3/4")	-16mm (-5/8")	-12mm (-1/2")

Figure 11.1



**IMPORTANT**

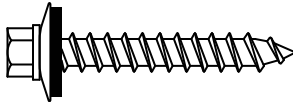
Failure to properly allow for contraction and expansion in your field cuts may cause buckling and void the product warranty. (Figure 11.1)

## Fastener Info

### Substrate Type

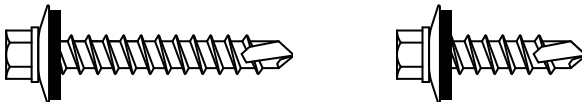
#### Wood

Use system fastener 1-1/2" WS112 FastPlank screw



#### Metal

Use system fastener 1-1/2" MS112 or 3/4" MS34 FastPlank screw



### Where to place fasteners

Each trim has a fastener line to place fasteners along (Figure 12.1)

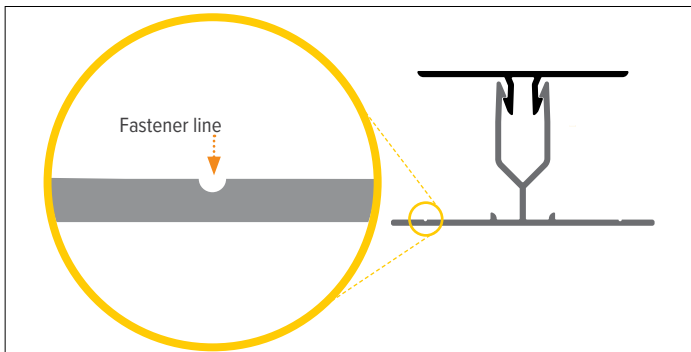


Figure 12.1

**Do Not** use an impact drill to fasten to steel studs. This can strip the screws causing them to no longer hold the plank in place.

At the starter J and top termination two piece J place fasteners through Plank Backers into the fastener line at 16" o.c. and no further than 2" from the ends. (Figure 12.2 a & b)

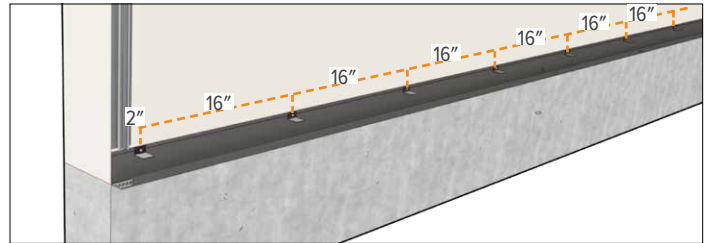


Figure 12.2 a

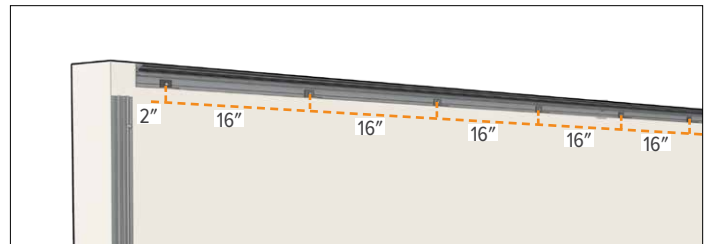


Figure 12.2 b

For general vertical trim install apply fasteners along the fastener line at 32" and no further than 2" from the ends. (Figure 12.3)

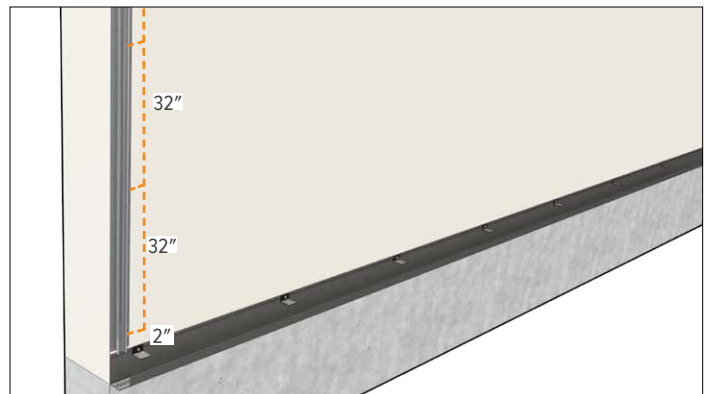


Figure 12.3






### ATTENTION:


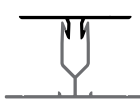



Refer to your local building codes and project specifications for AWB and primary flashing detail.

# Profile Legend




## PLANKS Length: 16'

<p><b>P46V</b></p>  <p>V-Notch™ 6" Plank QTY per bundle: 6</p>	<p><b>P44V</b></p>  <p>V-Notch™ 4" Plank QTY per bundle: 10</p>	<p><b>P47V</b></p>  <p>Net Free Air Space 7.7 in<sup>2</sup>/lin ft 163.3 cm<sup>2</sup>/lin m</p> <p>V-Notch™ 4" Perforated Soffit Plank QTY per bundle: 10</p>
---	--	---




## TRIMS Length: 12'

<p><b>P10</b></p>  <p>Inside/Outside Corner QTY Per Bundle: 5</p>	<p><b>P12</b></p>  <p>2-Piece Intermediate Trim QTY Per Bundle: 10</p>	<p><b>P11</b></p>  <p>2-Piece J Trim QTY Per Bundle: 10</p>	<p><b>P13</b></p>  <p>General J Trim QTY Per Bundle: 10</p>	<p><b>P41</b></p>  <p>Perforated Starter J QTY Per Bundle: 10</p>
---	---	--	--	--

## CLIPS & CONNECTORS

<p><b>P22</b></p>  <p>Plank Clip QTY Per Bag: 100</p>	<p><b>P23</b></p>  <p>Plank Connector QTY Per Bag: 50</p>	<p><b>P30</b></p>  <p>Plank Backer QTY Per Bag: 50</p>
--	--	---

## ACCESSORIES

<p><b>MS34</b></p>  <p>3/4" Metal Screw QTY Per Bag: 250</p>	<p><b>MS112</b></p>  <p>1-1/2" Metal Screw QTY Per Bag: 250</p>	<p><b>WS112</b></p>  <p>1-1/2" Wood Screw QTY Per Bag: 250</p>
---	--	---



# Basic Installation Process



Figure 15.1 - A complete wall

## Basic Install Process

1. After completing the AWB and primary flashings, install the Perforated Starter J Trim on top of the AWB leveling it at the cladding start point. (Figure 16.1)

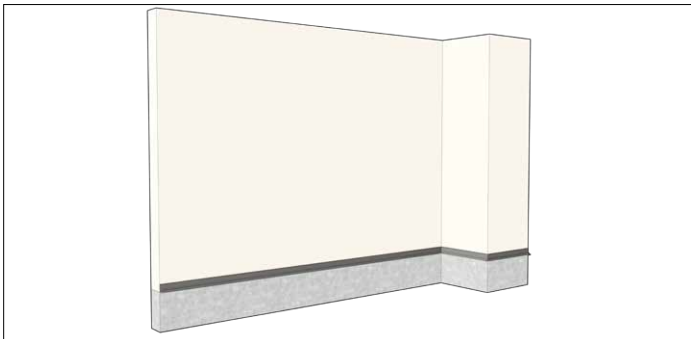


Figure 16.1

2. Miter at inside and outside corners. (Figure 16.2)

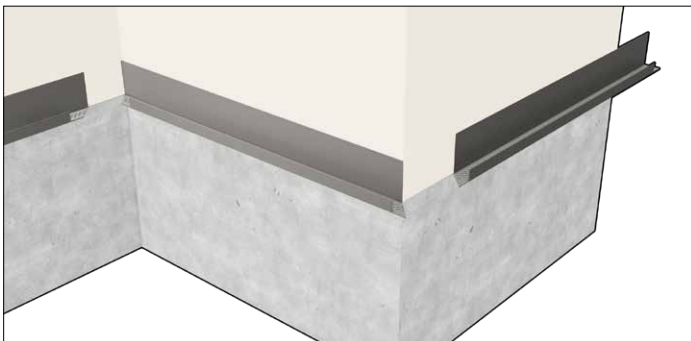


Figure 16.2

3. Secure the Perforated Starter J by placing fasteners through the Plank Backers into the Starter J fastener line at 16" o.c. and no further than 2" from the ends. (Figure 16.3)

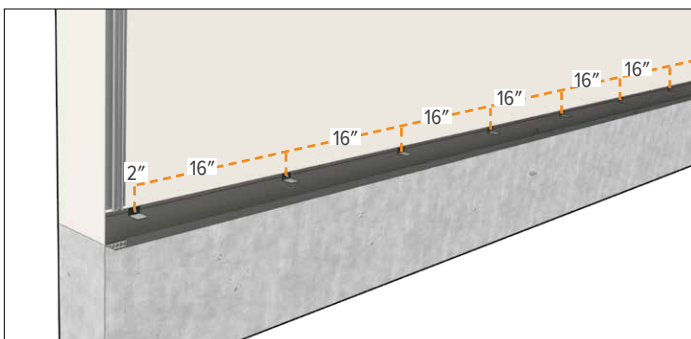


Figure 16.3

4. Notch the face of the Perforated Starter Track 1" when a two piece Inside/Outside Corner or two piece J Trim intersects. (Figure 16.4 a & b)

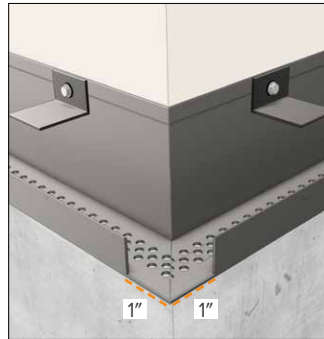


Figure 16.4 a

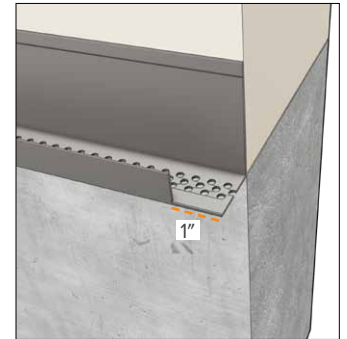


Figure 16.4 b

5. Using tin snips, cut the upward facing tab down to the perforated face of the trim. Grip the tab with pliers and bend downwards to snap off and remove. Notching is necessary to allow for top cap installation later in the process. (Figure 16.5 a & b)

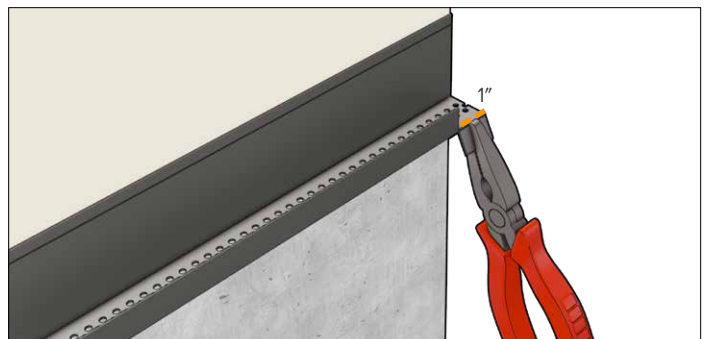


Figure 16.5 a

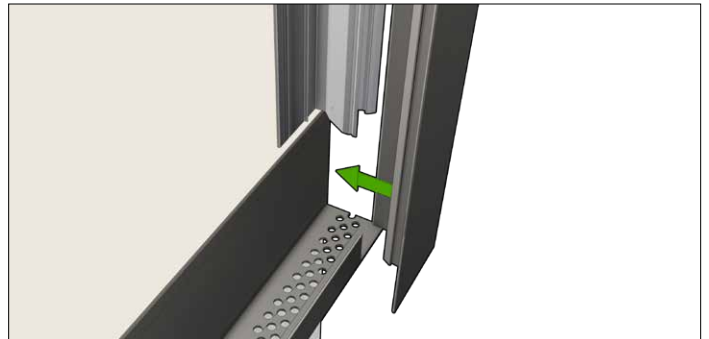


Figure 16.5 b

## Basic Install Process (Cont.)

6. To install an Inside Corner, take the male corner trim and set the bottom at 1/4" above the perforated starter track's fastening flange. At the top of the wall leave two inches back from the cladding's end point and fasten. (Figure 17.1 a & b)

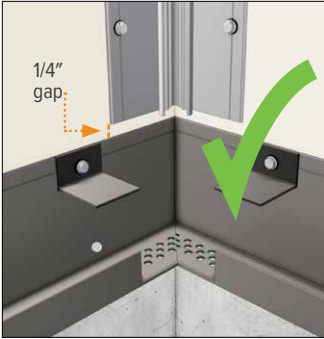


Figure 17.1 a

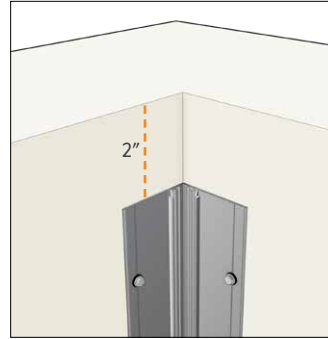


Figure 17.1 b

9. To install a two piece J at a vertical termination, take the two piece J back plate and set the bottom at 1/4" above the perforated starter J's fastening flange. At the top of the wall leave 2" back from the cladding's end point and fasten. (Figure 17.4 a & b)



Figure 17.4 a

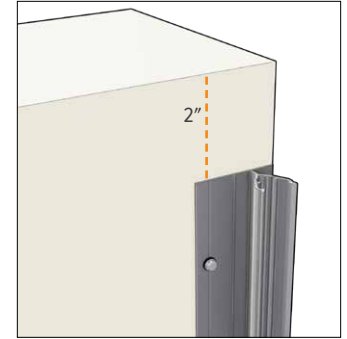


Figure 17.4 b

7. Do not overlap trims. (Figure 17.2)

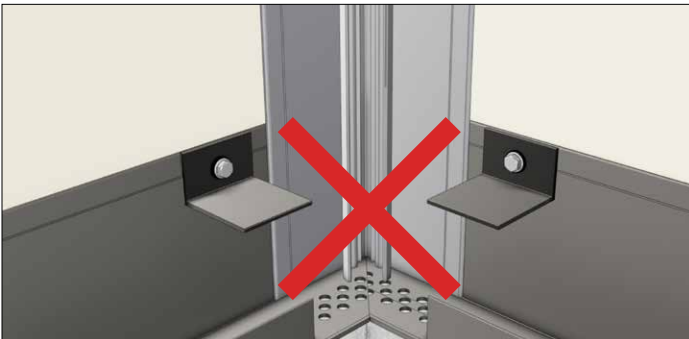


Figure 17.2

10. Do not overlap trims. (Figure 17.5)



Figure 17.5

8. To install an Outside Corner, use a female corner trim and repeat steps for Inside Corner installation as noted previously. (Figure 17.3)

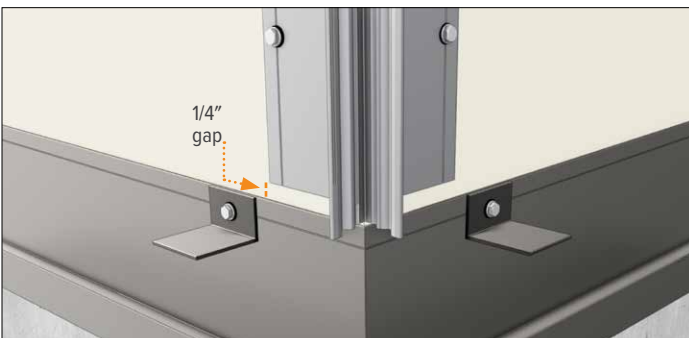


Figure 17.3

11. At the top of the wall run a two piece J back plate horizontally keeping it back 2" at ends and secure it by placing fasteners through the Plank Backers into the starter J fastener line at 16" o.c. and no further than 2" from the ends. The backers will hold the top edge of the last Plank flush to the main surface later in the process. (Figure 17.6)

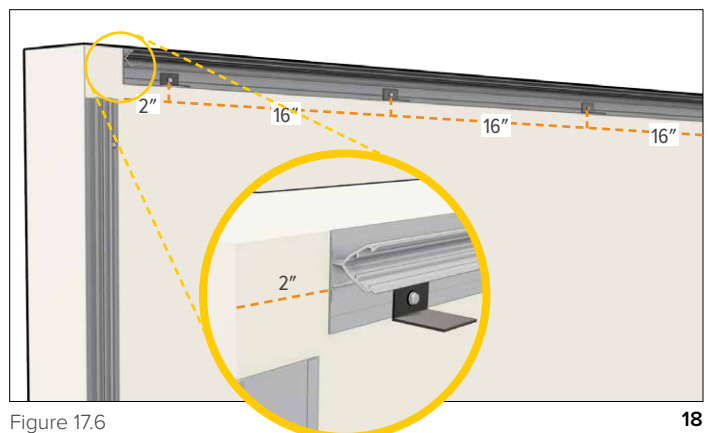


Figure 17.6

## Basic Install Process (Cont.)

12. To install a two piece mid-wall vertical, take the back plate and set the bottom at 1/4" above the perforated starter J's fastening flange. At the top of the wall leave two inches back from the cladding's end point and fasten. (Figure 18.1 a & b)



Figure 18.1 a

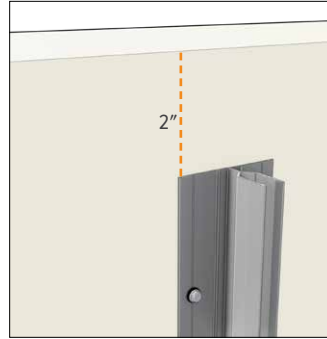


Figure 18.1 b

15. They are also used at shorter distances to create different design aesthetics (mid-wall vertical is also used to create different design aesthetics). (Figure 18.4)

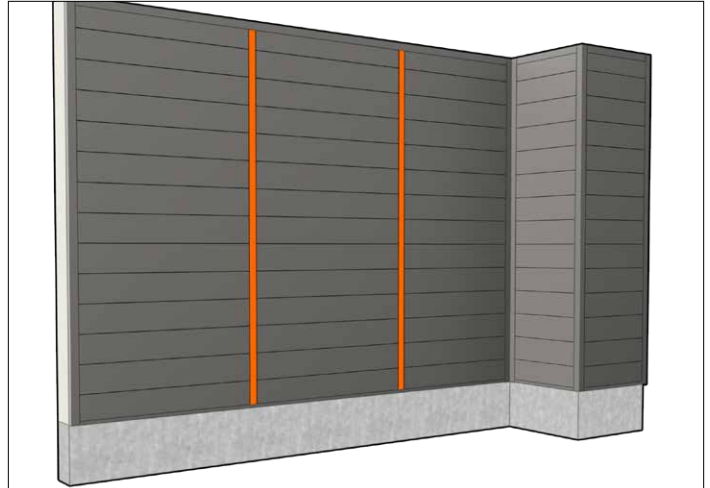


Figure 18.4

13. Do not overlap trims. (Figure 18.2)



Figure 18.2

14. The two piece mid-wall vertical is used to allow room for Plank expansion when the maximum Plank length exceeds 32'. (Mid-wall vertical allows for Plank expansion) (\*\*WARNING\*\* max plank length is 32'). (Figure 18.3)

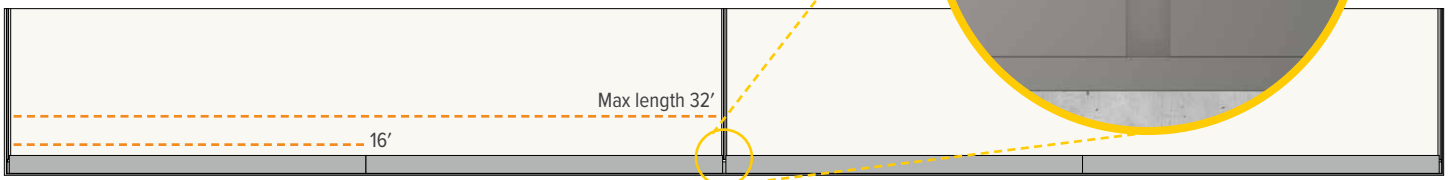


Figure 18.3

## Basic Install Process (Cont.)

16. All Planks need to have a gap between the end of the Plank and the wall of the back plate. To determine the amount of total gap needed use the chart below by cross referencing the **Plank Length** and the **Ambient Temperature at the Time of Install**. To cut a Plank measure the space between the trims and reduce the measurement by the total gap then install the Plank centered between the trims so that the total gap is split equally at each end. See chart below. (Figure 19.1 - See Expansion & Contraction Requirements)

Plank Length	Ambient Temperature at Time of Install		
	-10°C (14°F)	10°C (50°F)	30°C (86°F)
Maximum Measurement			
16'	-10mm (-3/8")	-8mm (-5/16")	-6mm (-1/4")
32'*	-20mm (-3/4")	-16mm (-5/8")	-12mm (-1/2")

Figure 19.1

**Note:** Planks come in 16' length and can be joined together with a Plank Connector for a maximum length of 32'

17. At inside corners only, align Planks to the notch in the starter J, do not reference the expansion chart for inside corners. Aligning the Plank at the notch allows for expansion in any scenario, and provides space for the top cap to be installed later in the process. (Figure 19.2)

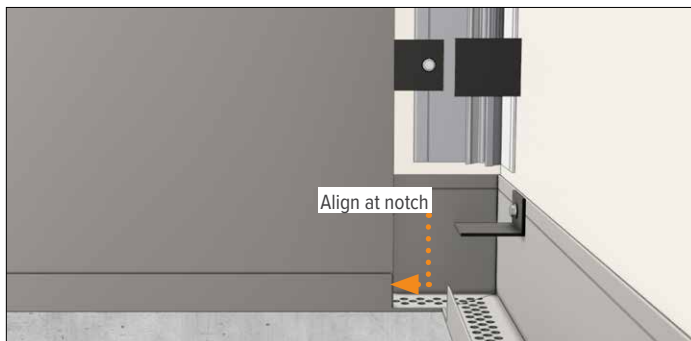


Figure 19.2

18. Insert the bottom edge of the Plank into the perforated Starter J, resting it against the Plank Backers. The Plank Backers hold the bottom edge of the first Plank for a flush appearance. (Figure 19.3 a & b)



Figure 19.3 a

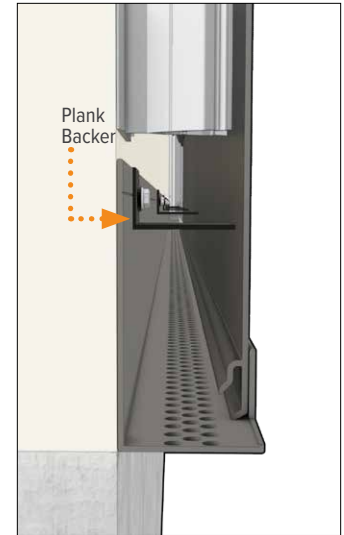


Figure 19.3 b

19. When joining two Planks together apply a Plank Connector by centering it on the joint and secure with the provided fasteners (must use connector on joints). (Figure 19.4 a & b)

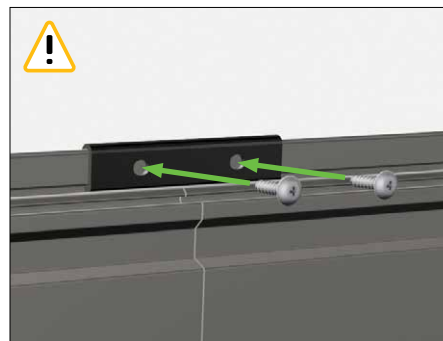


Figure 19.4 a

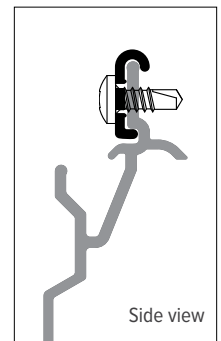


Figure 19.4 b



**IMPORTANT**

A P23 is necessary to join two planks together, butted end to end. (Figure 19.4 a)

20. To ensure variation of the woodgrain pattern, select Planks from different packages of your order to be installed adjacent to each other. Do not use identical patterns on successive rows. (Figure 20.1)



**IMPORTANT**

Do not Install planks with the same patterns next to each other to avoid looking fake and repetitive. (Figure 20.1)

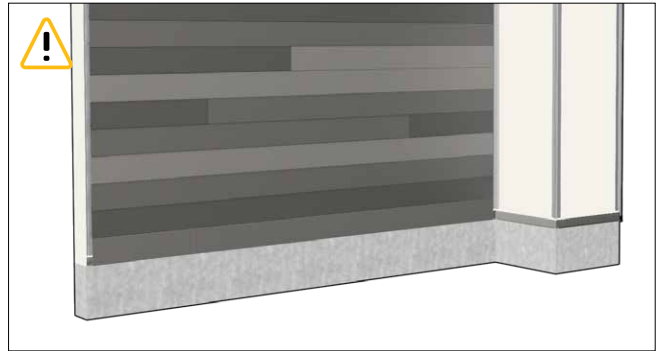


Figure 20.1

21. Snap and slide the Plank Clips along the top edge of the Plank fastening at 32" o.c. (Figure 20.2)

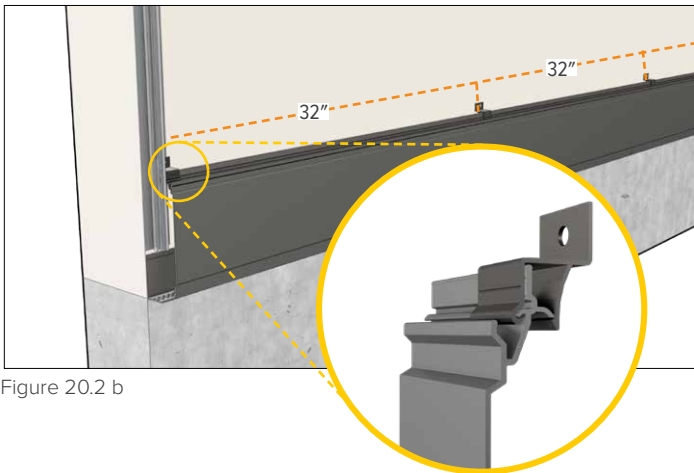


Figure 20.2 b

22. Stager the Plank Clips from row to row so they do not line up. (Figure 20.3)

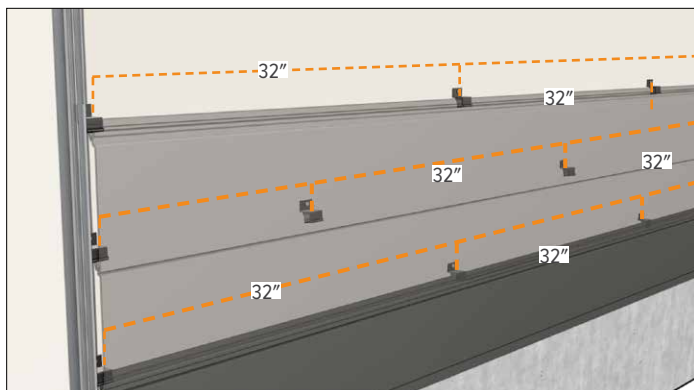


Figure 20.3

23. Check each row is level as you go and make small adjustments as needed. (Figure 20.4)



Figure 20.4

24. At each end of the Plank fasten a Plank Clip into the fastener line of the intersecting trim except with Inside Corners. (Figure 20.5)

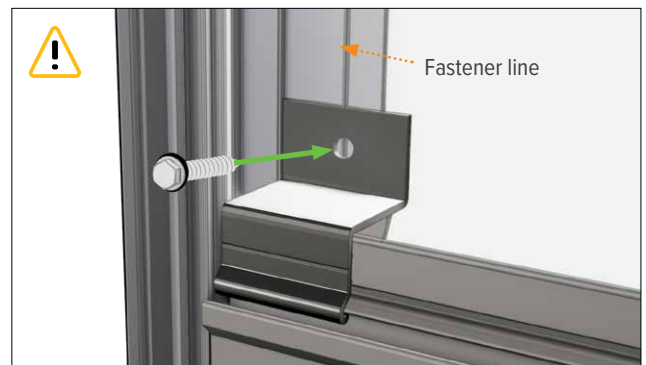


Figure 20.5



**IMPORTANT**

Clips must be fastened onto the fastener line at both ends of the Plank except with inside corners. (Figure 20.5)

## Proper Installation of Fastener Clips

Clips should be tightened **FIRMLY** against the **OUTSIDE** trims but fastening clips across the middle of the plank should **NOT** be tightened against the surface to ensure planks appear even and straight (Figure 1).

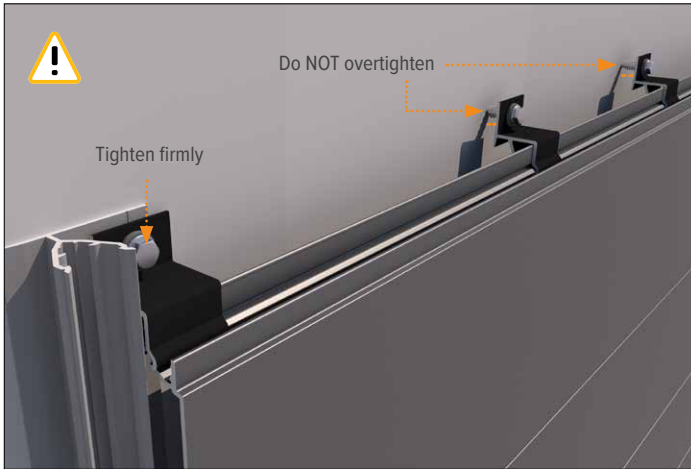
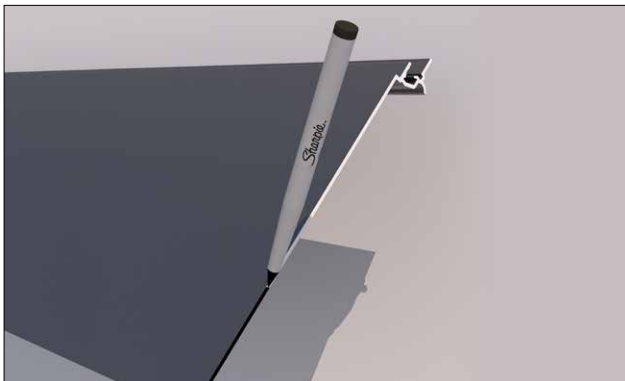


Figure 1

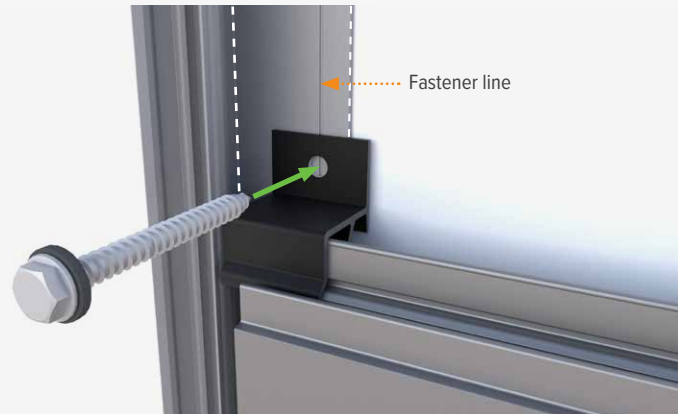


**QUICK TIPS** Before installing planks that will form a butt joint, it is recommended to use a marker along both adjoining edges. This ensures plank edges do not reflect light for a seamless appearance.



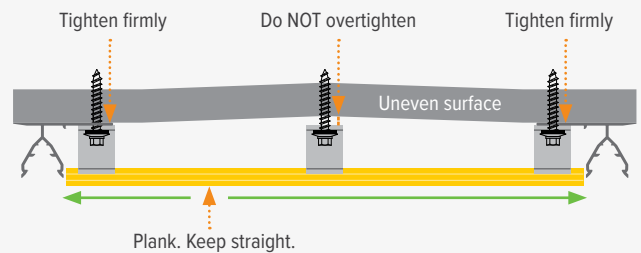
### IMPORTANT

Clips **MUST** be fastened onto the fastener line at both ends of the Plank except with inside corners.



### IMPORTANT

**DO NOT** overtighten the screws. Overtightening the clips against an uneven surface may result in bending or deforming the face of the plank.



## Basic Install Process (Cont.)

25. For Inside Corners only, apply a Plank Backer behind each Plank in a vertical direction facing away from the inside corner, fastening it through the fastener line. Place the backer below the top edge of each Plank so it comes into contact with the back side of the main surface of the Plank. (Figure 21.1)

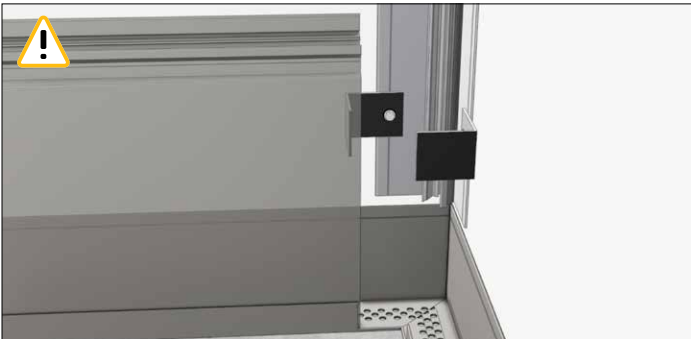


Figure 21.1

26. To install the last Plank measure the space between the groove in the Plank and the J Trims back plate and cut the last Plank one eighth of an inch less and install. The top edge of the Plank should rest against the Plank Backers previously installed. (Figure 21.2)



Figure 21.2

27. The last Plank at the top of the wall will be held in place by the top cap, no Plank Clips are necessary. (Figure 21.3)



Figure 21.3

28. Install top caps by setting it into the receiving engagement of the back plate. (Figure 21.4)



Figure 21.4



### IMPORTANT

Must fasten backer along fastener line for inside corners, must have a backer at every inside corner Plank. (Figure 21.1)

## Basic Install Process (Cont.)

29. Connect the top cap using a HammerBlock® and rubber mallet, by striking the HammerBlock® to engage the trim. (Figure 22.1)



Figure 22.1

• **Second is the horizontal two piece J Trim at the top of a wall.** Align each end of the trim with the edge of the last Plank. Run continuously over top of any mid-field vertical top cap intersection. (Figure 22.2. b)



Figure 22.2 b

30. In a general install the order of top cap installation is as follows:

• **First is the mid-field vertical.** Install from the cladding's start point to the top edge of the last Plank. (Figure 22.2 a)



Figure 22.2 a

• **Last is the vertical Outside or Inside Corner and two piece J Trim.** Install from the cladding start point to the cladding end point. (Figure 22.2 c)

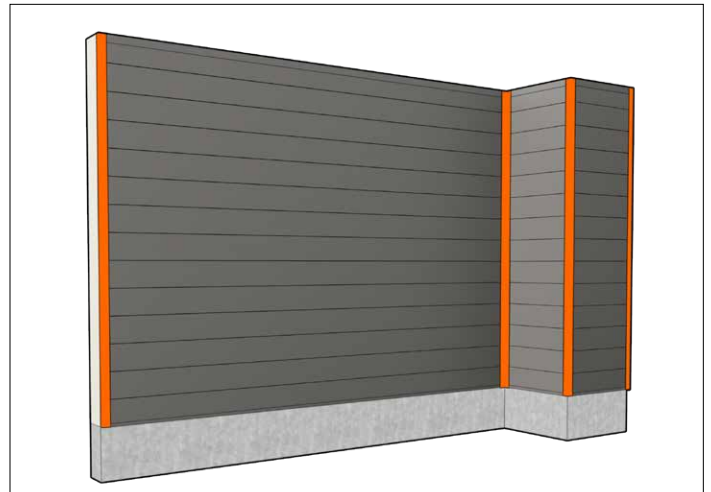


Figure 22.2 c



## Basic Window Trim & Plank Install Process

### INSTALLATION OPTION 1

#### Using TWO-PIECE J-Trims

The following instructions demonstrate proper installation for window and door trim, using a typical design layout.

When installing trim around a door, follow instructions for jambs and head details only.



1. Ensure flashing & air/water barrier are completed to meet local building code (Figure 1).



Figure 1

2. Attach P11 back plates cut to 45° around the window. For the P11 sill and head of window, add P30 plank backer 2" from ends and 16" center (Figure 2).

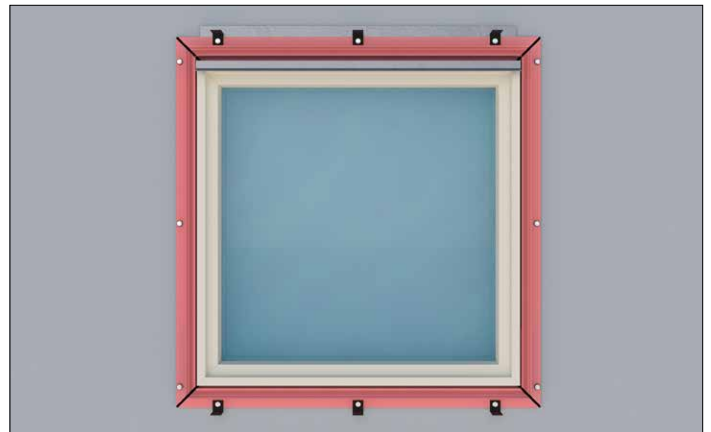


Figure 2

## Basic Window Trim & Plank Install Process (Cont.)

3. Notch P46V or P44V plank to go around the sill of window (Figure 3.1), ensuring a 1/8" gap is between the horizontal notched plank and horizontal P11 back plate (Figure 3.2).



Figure 3.1

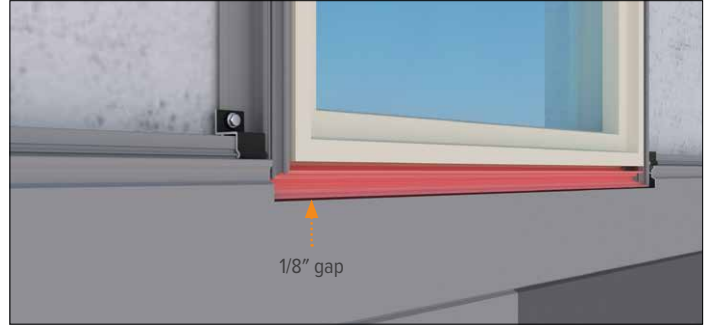


Figure 3.2

4. Install planks on either side of the jamb of the window, at head of window (Figure 4.1). Notch plank leaving 1/8" gap between the plank and the horizontal P11 back plate (Figure 4.2).



Figure 4.1

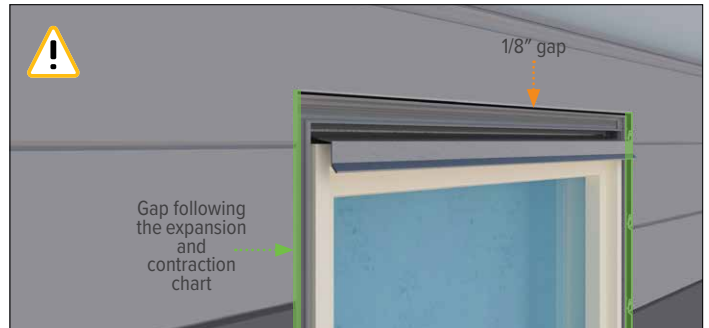


Figure 4.2



### IMPORTANT

Make sure gap between the plank and vertical P11 back plate is following the expansion and contraction chart found on pg. 11 of the Installation Guide (Figure 4.2).

5. Measure and install P11 top caps cut to 45° around window (Figure 5.1 and 5.2).



Figure 5.1



Figure 5.2

## Basic Window Trim & Plank Install Process

### INSTALLATION OPTION 2

#### Using ONE-PIECE J-Trims

The following instructions demonstrate proper installation for window and door trim, using a typical design layout.

When installing trim around a door, follow instructions for jambs and head details only.



1. Ensure flashing & air/water barrier are completed to meet local building code (Figure 1).

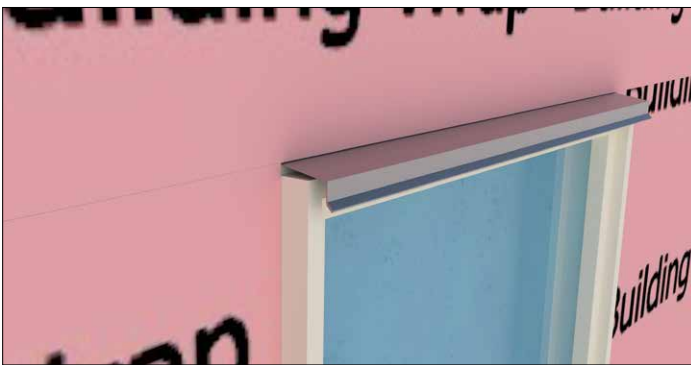


Figure 1

2. Cut and install P13 around the sill and jambs of the window and P41 for the head of the window. Miter at a 45° angle on all 4 corners of the window. On the head and sill, add P30 plank backers 2" from ends and 16" on center (Figure 2).

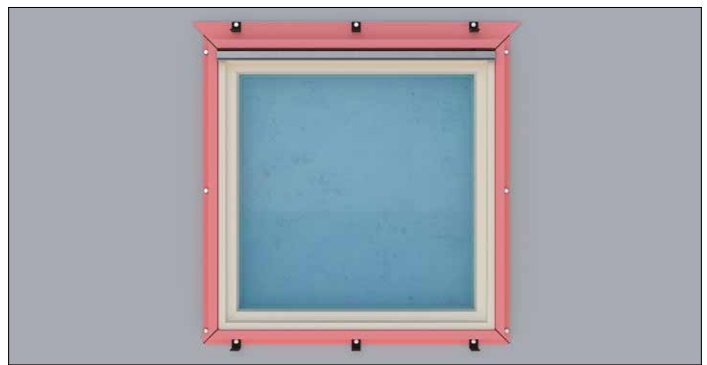


Figure 2

## Basic Window Trim & Plank Install Process (Cont.)

3. Notch the P46V or P44V to slide into the installed P13s under the sill of the window (Figure 3.1 and 3.2).

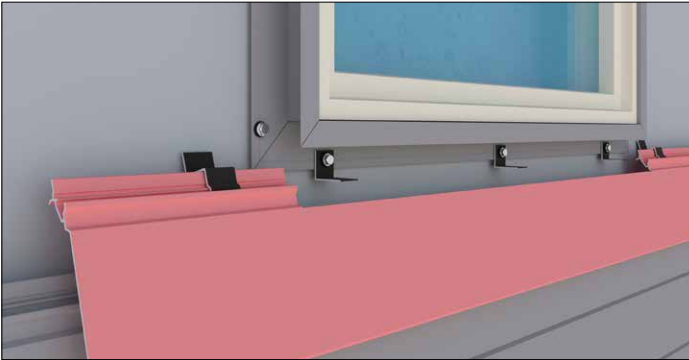


Figure 3.1



Figure 3.2

4. Install planks on either side of the jamb of the window (Figure 4.1). At the window head, notch the bottom of the of the plank to slide into the P41 (Figure 4.2 and 4.3).



Figure 4.1



Figure 4.2

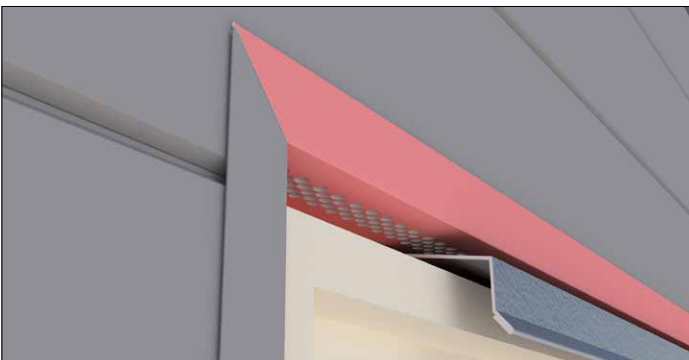


Figure 4.3



Figure 4.4

## Product Warranty

The FastPlank® V-NOTCH™ System 50-Year Limited Warranty is extended to original purchasers of the FastPlank® V-NOTCH™ System. This Warranty is for the benefit of the original property owner who purchased the product and is not transferable.

FastPlank® V-NOTCH™ System, when properly installed and maintained according to the published guidelines the product is warranted for a period of fifty (50) years from the date of installation from physical defects.

This FASPLANK V-NOTCH™ Limited Warranty provides the following coverage:

- a) splitting or cracking, or sustained excessive deformation of the product under normal conditions of use; and,
- b) to be free of any buckling of the product itself that is not associated with the substrate and/or structure to which the FastPlank V-NOTCH™ System is attached. For the purpose of this warranty, buckling shall be defined as warping of the product(s) exceeding one eighth of an inch out of plane per linear foot.

If FastPlank® Systems Inc., after inspection and verification, determines that the product failed under the terms of this limited warranty, FastPlank® Systems Inc. will provide, at its option, replacement parts or components to the dealer specified by the original purchaser at no cost. FastPlank® Systems Inc. will not be responsible for installation or labor costs either prior to or during remediation.

What is not covered:

- Damage caused by improper installation, use, application or maintenance.
- Damage to the system caused by handling, shipping, processing, storage, installation and/or improper cleaning.
- Damage from contact with harmful chemicals, fumes, or vapors.
- Normal weathering, chalking, fading, atmospheric pollutants or mildew build-up.
- Damage from settlement, shrinkage, or distortion of the structure.
- Pre-finished or field applied coatings.
- Acts of God, fire and casualty; and

The limited product and finish warranties set forth are the only warranties (whether written or oral) applicable to FastPlank® V-NOTCH™ Systems.

FASTPLANK® SYSTEMS INC MAKES NO OTHER WARRANTIES, EXPRESS OR IMPLIED AND MAKES NO IMPLIED WARRANTIES OF MERCHANTABILITY OR FITNESS FOR A PARTICULAR PURPOSE. THE REMEDIES STATED WITHIN ARE YOUR SOLE AND EXCLUSIVE REMEDY AND FASTPLANK® SYSTEMS INC. WILL NOT BE RESPONSIBLE FOR INCIDENTAL OR CONSEQUENTIAL DAMAGES RELATING TO YOUR PURCHASE OR USE OF FASTPLANK® SYSTEMS INC. PRODUCTS. FASTPLANK® SYSTEMS INC. LIABILITY IN ALL INSTANCES WILL BE LIMITED TO REPLACEMENT OF MATERIAL BASED ON PURCHASE DATE AND WARRANTY CLAIM DATE.

This warranty is applicable in Canada, the United States, the European Union, and Australia. Some states do not allow for the exclusion of incidental or consequential damages, so the above limitations or exclusions may not apply to you. This warranty gives you specific legal rights and you may also have other rights, which vary from state to state, and from country to country.

#### HOW TO GET HELP IF YOU HAVE A WARRANTY CLAIM

To obtain help with a warranty claim, contact the dealer, distributor or building products supplier where the FastPlank® V-NOTCH™ System were purchased originally. If, after thirty (30) days you have received no response to your concerns, then contact FastPlank® Systems Inc. via email sending your email to [warranty@FastPlank.com](mailto:warranty@FastPlank.com).

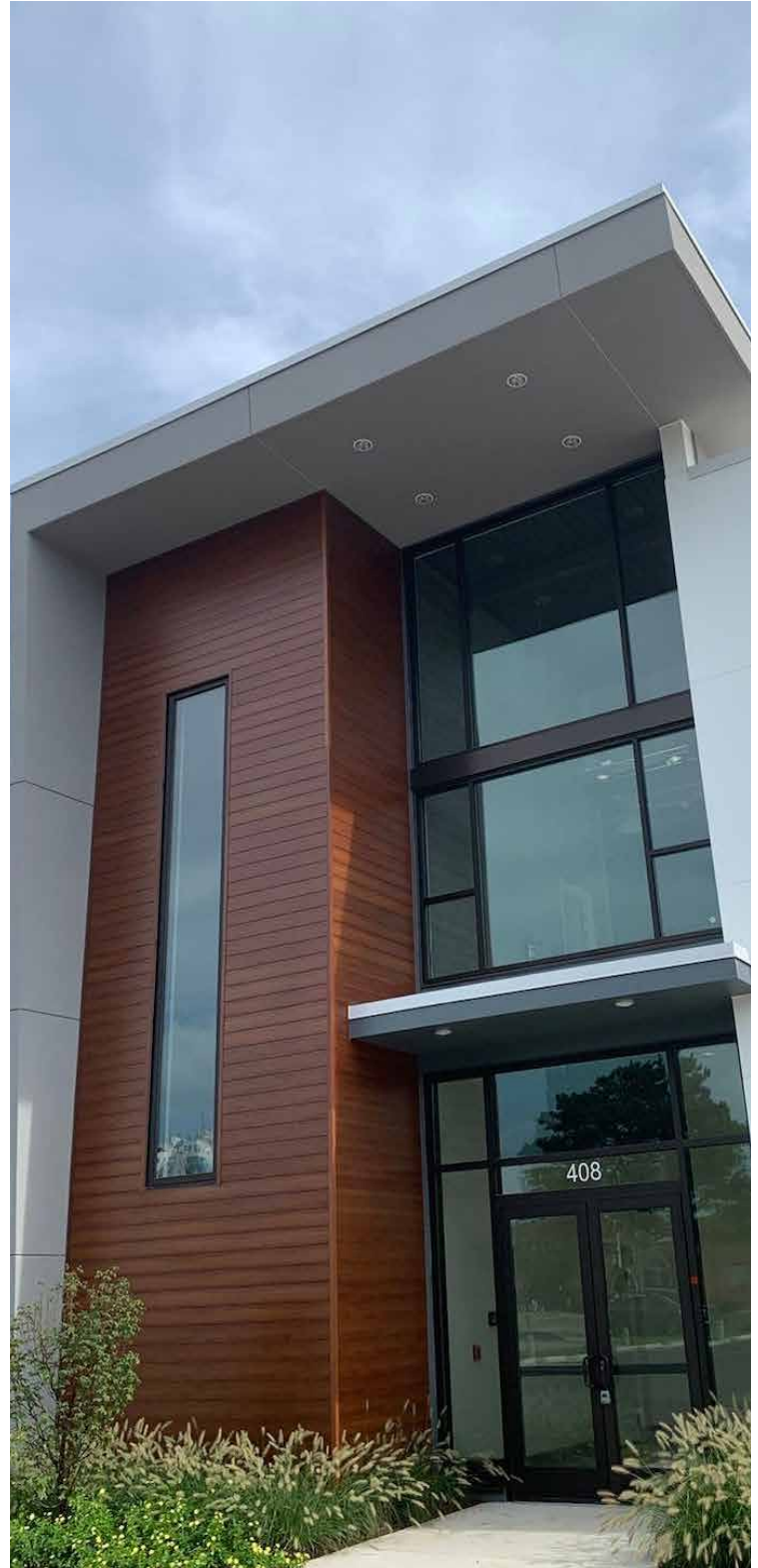
Please include the following documentation:

1. FastPlank® V-NOTCH™ System's, date and place of purchase, and purchase price (proof of purchase required).
2. Describe the problem (photographs are required).
3. Describe any action you have taken, or those persons contacted to correct the problem.
4. Give your name, phone number and address where the product can be inspected.

1-877-973-8746 | [warranty@fastplank.com](mailto:warranty@fastplank.com)



Contact our Installation  
Support Team





Contact us for **Free Estimates & Samples**

1-877-973-8746 | [orderdesk@fastplank.com](mailto:orderdesk@fastplank.com) | [fastplank.com](http://fastplank.com)



**ENGAGE**  
BUILDING PRODUCTS™