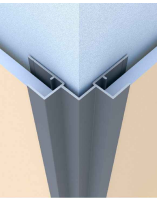


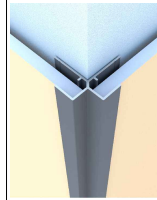
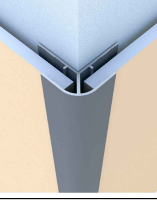
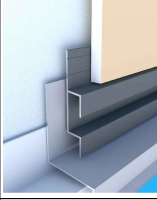

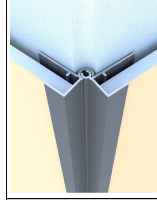
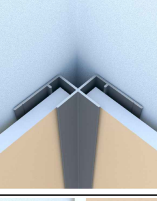
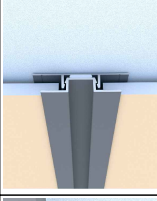

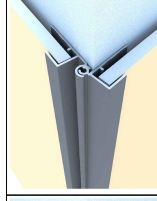


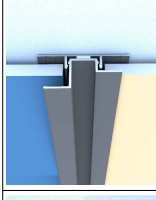
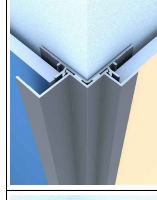


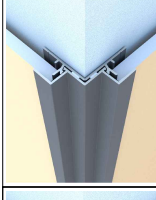
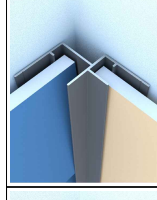
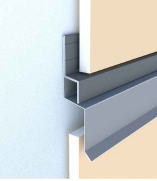
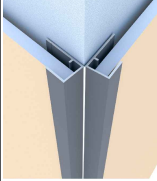
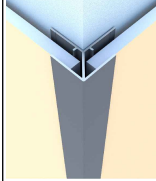
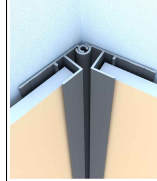

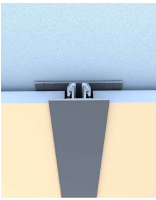
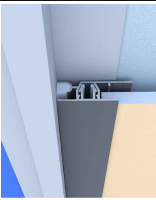
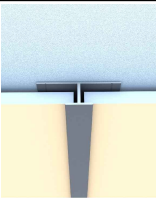
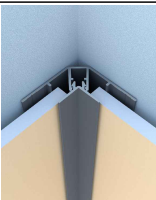
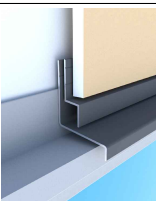
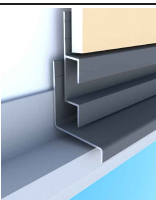
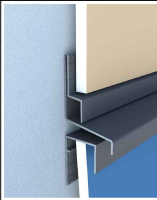
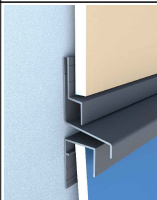

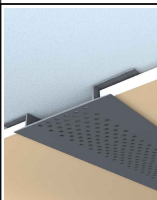


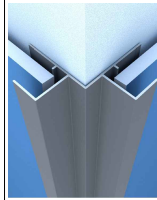
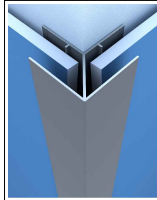
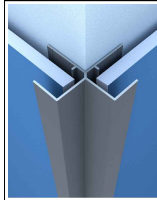
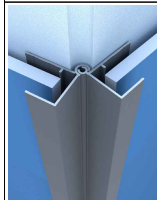
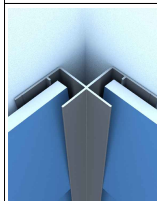
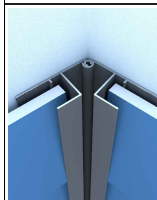
| THUMBNAIL  | DESCRIPTION                                 | DWG.NO. | THUMBNAIL   | DESCRIPTION   | DWG.NO. | THUMBNAIL   | DESCRIPTION   | DWG.NO. | THUMBNAIL   | DESCRIPTION   | DWG.NO. |
|--|---|---------|---|---|---------|---|---|---------|---|---|---------|
|    | EZ01 SQUARE OUTSIDE CORNER 5/16" TRIM       | EZ1.1   |    | EZ05 HORIZONTAL H INTERMEDIATE 5/16" TRIM                       | EZ5.1   |    | EZ09 SOFFIT J 5/16" TRIM                              | EZ9.1   |    | EZ14 X OUTSIDE CORNER 5/16" TRIM                                    | EZ14.1  |
|    | EZ02 ROUND OUTSIDE CORNER 5/16" TRIM        | EZ2.1   |    | EZ05 HORIZONTAL H WINDOW HEAD 5/16" TRIM                        | EZ5.2   |    | EZ10 HORIZONTAL BASE B STARTER 5/16" TRIM             | EZ10.1  |    | EZ15 MULTI-ANGLE (105°-160°) OUTSIDE CORNER 5/16" TRIM              | EZ15.1  |
|    | EZ03 INSIDE CORNER 5/16" TRIM               | EZ3.1   |    | EZ07 2-PIECE VERTICAL U 5/16" TRIM                              | EZ7.1   |    | EZ10 HORIZONTAL BASE B SOFFIT & FASCIA 5/16" TRIM     | EZ10.2  |    | SPECIAL MULTI-ANGLE ACUTE (50°-89°) OUTSIDE CORNER 5/16" PANEL TRIM | EZ15.2  |
|    | EZ04 HORIZONTAL Z STARTER 5/16" TRIM        | EZ4.1   |    | EZ08 GENERAL J VERTICAL TERMINATION 5/16" TRIM                  | EZ8.1   |    | EZ11 2-PIECE VERTICAL U 5/16" TO 3/4" TRANSITION TRIM | EZ11.1  |    | EZ16 2-PIECE OUTSIDE CORNER 5/16" TO 3/4" TRANSITION TRIM           | EZ16.1  |
|   | EZ04 HORIZONTAL Z INTERMEDIATE 5/16" TRIM   | EZ4.2   |   | EZ08 GENERAL J WINDOW JAMB 5/16" TRIM                           | EZ8.2   |   | EZ12 2-PIECE SQUARE OUTSIDE CORNER 5/16" TRIM         | EZ12.1  |   | EZ17 INSIDE CORNER 5/16" TO 3/4" TRANSITION TRIM                    | EZ17.1  |
|  | EZ04 @ SHRINKAGE ZONE MULT-STORY WOOD FRAME | EZ4.3   |  | EZ08 SPECIAL MULTI-ANGLE ACUTE (<90°) OUTSIDE CORNER 5/16" TRIM | EZ8.3   |  | EZ13 ARROW OUTSIDE CORNER 5/16" TRIM                  | EZ13.1  |  | EZ18 MULTI-ANGLE (105°-160°) INSIDE CORNER 5/16" TRIM               | EZ18.1  |


| DESCRIPTION   |         |         |                |
|---|---------|---------|----------------|
| DRAWING NUMBER INDEX  |         |         |                |
|  | SCALE   | NTS     | DRAWING NUMBER |
|   | DATE    | APR2024 | EZ-I           |
|   | DRWN BY | DDG     |                |

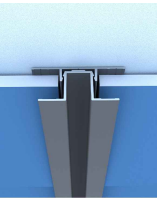
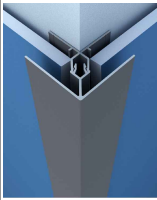

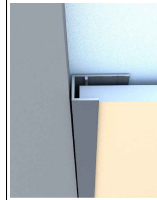
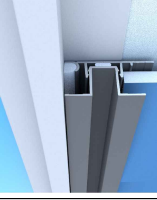

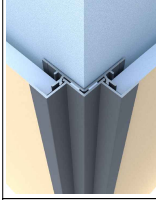


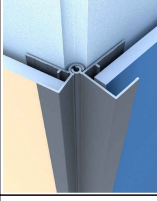
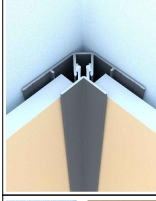
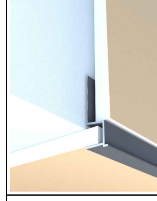
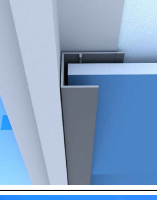
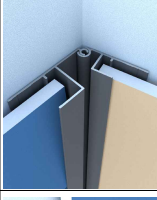



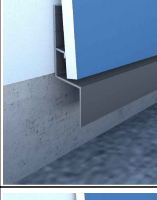
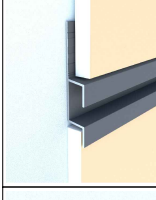
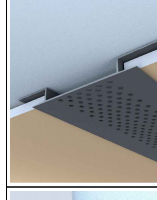
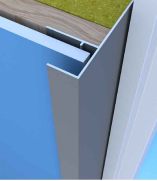
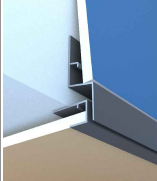
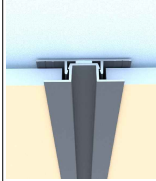
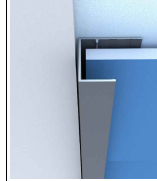
| THUMBNAIL  | DESCRIPTION  | DWG.NO. |
|--|--|---------|
|    | EZ19 2-PIECE WINDOW JAMB 5/16" TRIM                    | EZ19.1  |
|    | EZ20 2-PIECE GENERAL J VERTICAL TERMINATION 5/16" TRIM | EZ20.1  |
|    | EZ20 2-PIECE GENERAL J WINDOW JAMB 5/16" TRIM          | EZ20.2  |
|    | EZ21 2-PIECE SOFFIT J 5/16" TRIM                       | EZ21.1  |
|   | EZ21 2-PIECE SOFFIT J @ WINDOW SILL 5/16" TRIM         | EZ21.2  |
|  | EZ22 HORIZONTAL SLT Z 5/16" TRIM                       | EZ22.1  |


| THUMBNAIL   | DESCRIPTION  | DWG.NO. |
|---|--|---------|
|    | EZ23 2-PIECE VERTICAL SLT 5/16" TRIM                                 | EZ23.1  |
|    | EZ24 2-PIECE WINDOW SLT 5/16" TRIM                                   | EZ24.1  |
|    | EZ25 VERTICAL H 5/16" TRIM   | EZ25.1  |
|    | EZ27 2-PIECE INSIDE CORNER 5/16" TRIM                                | EZ27.1  |
|   | EZ28 1-3/8" WINDOW DRIP CAP FLASHING W/ EZ04 HORIZONTAL Z 5/16" TRIM | EZ28.1  |
|  | EZ28 1-3/8" WINDOW DRIP CAP FLASHING W/ EZ05 HORIZONTAL H 5/16" TRIM | EZ28.2  |

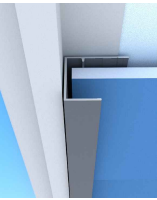

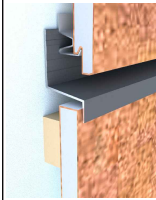
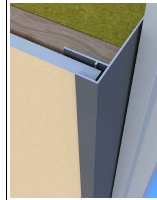

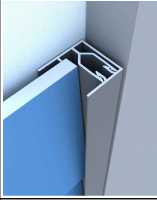
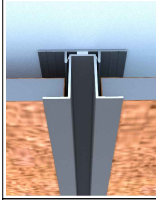
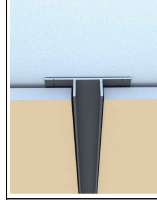
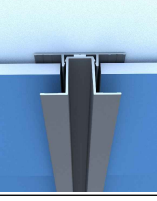
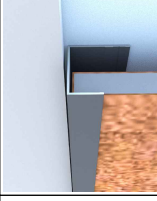
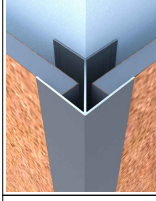
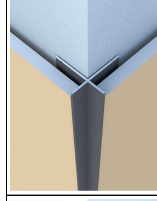

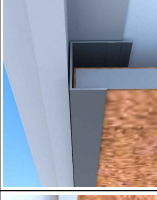
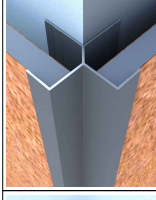
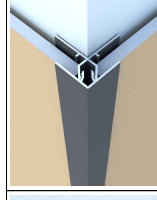
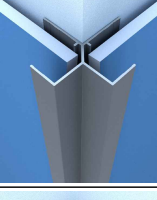

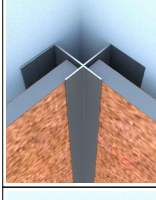
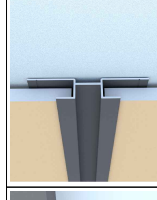
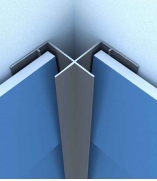
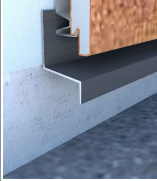
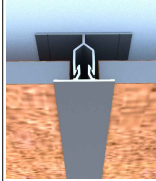
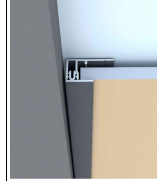
| THUMBNAIL   | DESCRIPTION   | DWG.NO. |
|---|---|---------|
|    | EZ28 1-3/8" DRIP CAP FLASHING @ 5/16" PANEL TO 3/4" LAP HORIZONTAL TRANSITION | EZ28.3  |
|    | EZ28 1-3/8" DRIP CAP FLASHING @ 3/4" LAP TO 5/16" PANEL HORIZONTAL TRANSITION | EZ28.4  |
|    | EZ28 1-3/8" DRIP CAP FLASHING MID-LAP @ ALTERNATE FINISH TRANSITION           | EZ28.5  |
|    | EZ28 1-3/8" DRIP CAP THROUGH WALL FLASHING                                    | EZ28.6  |
|   | EZ28 1-3/8" DRIP CAP FLASHING @ SLOPED FLOOR LINE                             | EZ28.7  |
|  | EZ29 PERFORATED SOFFIT 5/16" TRIM   | EZ29.1  |

| THUMBNAIL   | DESCRIPTION   | DWG.NO. |
|---|---|---------|
|    | EZ31 SQUARE OUTSIDE CORNER 3/4" TRIM                  | EZ31.1  |
|    | EZ33 ARROW OUTSIDE CORNER 3/4" TRIM                   | EZ33.1  |
|    | EZ34 X OUTSIDE 3/4" TRIM                              | EZ34.1  |
|    | EZ35 MULTI-ANGLE (105°-160°) OUTSIDE CORNER 3/4" TRIM | EZ35.1  |
|   | EZ36 INSIDE CORNER 3/4" TRIM                          | EZ36.1  |
|  | EZ37 MULTI-ANGLE (105°-160°) INSIDE CORNER 3/4" TRIM  | EZ37.1  |

| DESCRIPTION   |         |         |                |       |
|---|---------|---------|----------------|-------|
| DRAWING NUMBER INDEX  |         |         |                |       |
|  | SCALE   | NTS     | DRAWING NUMBER |       |
|   | DATE    | APR2024 |                | EZ-II |
|   | DRWN BY | DDG     |                |       |


| THUMBNAIL  | DESCRIPTION   | DWG.NO. | THUMBNAIL   | DESCRIPTION   | DWG.NO. | THUMBNAIL   | DESCRIPTION   | DWG.NO. | THUMBNAIL   | DESCRIPTION                                      | DWG.NO. |
|--|---|---------|---|---|---------|---|---|---------|---|--|---------|
|    | EZ38 2-PIECE VERTICAL 3/4" TRIM                         | EZ38.1  |    | EZ42 2-PIECE ARROW OUTSIDE CORNER 3/4" TRIM                                   | EZ42.1  |    | EZ60 PERFORATED VENTED STARTER STRIP (VINYL) DETAIL   | EZ60.1  |    | EZ68 GENERAL J VERTICAL TERMINATION 7/16" TRIM   | EZ68.1  |
|    | EZ39 2-PIECE WINDOW JAMB REVEAL 3/4" TRIM               | EZ39.1  |    | EZ44 HORIZONTAL Z 3/4" TRIM   | EZ44.1  |    | EZ62 2-PIECE SQUARE OUTSIDE CORNER 7/16" PANEL DETAIL | EZ62.1  |    | EZ68 GENERAL J WINDOW JAMB 7/16" TRIM            | EZ68.2  |
|    | EZ40 GENERAL J VERTICAL TERMINATION 3/4" TRIM           | EZ40.1  |    | EZ45 MULTI-ANGLE (105°-160°) OUTSIDE CORNER 5/16" TO 3/4" TRANSITION TRIM     | EZ45.1  |    | EZ63 2-PIECE INSIDE CORNER 7/16" PANEL DETAIL         | EZ63.1  |    | EZ70 HORIZONTAL BASE B FASCIA/ SOFFIT 7/16" TRIM | EZ70.1  |
|    | EZ40 GENERAL J WINDOW JAMB 3/4" TRIM                    | EZ40.2  |    | EZ46 MULTI-ANGLE (105°-160°) INSIDE CORNER 5/16" TO 3/4" TRANSITION TRIM      | EZ46.1  |    | EZ64 HORIZONTAL Z 7/16" PANEL DETAIL                  | EZ64.1  |    | EZ71 2-PIECE GENERAL J 7/16" TRIM                | EZ71.1  |
|   | EZ40 GENERAL J WINDOW SILL 3/4" TRIM                    | EZ40.3  |   | EZ48 HORIZONTAL BASE Z STARTER 3/4" TRIM                                      | EZ48.1  |   | EZ65 HORIZONTAL H 7/16" PANEL DETAIL                  | EZ65.1  |   | EZ79 PERFORATED SOFFIT 7/16" TRIM                | EZ79.1  |
|  | EZ41 VERTICAL 2" INSULATED WINDOW & DOOR JAMB 3/4" TRIM | EZ41.1  |  | EZ48 HORIZONTAL BASE Z 3/4" LAP FASCIA W/ EZ 08 GENERAL J 5/16" SOFFIT DETAIL | EZ48.2  |  | EZ67 2-PIECE VERTICAL U 7/16" PANEL DETAIL            | EZ67.1  |  | EZ80 GENERAL J VERTICAL TERMINATION 1" TRIM      | EZ80.1  |

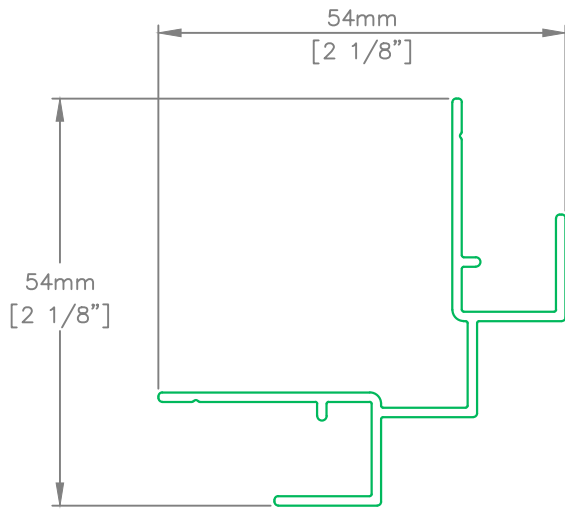
| DESCRIPTION   |         |         |                |
|---|---------|---------|----------------|
| DRAWING NUMBER INDEX  |         |         |                |
|  | SCALE   | NTS     | DRAWING NUMBER |
|   | DATE    | APR2024 | EZ-III         |
|   | DRWN BY | DDG     |                |

| THUMBNAIL  | DESCRIPTION                            | DWG.NO. | THUMBNAIL   | DESCRIPTION                                     | DWG.NO. | THUMBNAIL   | DESCRIPTION                             | DWG.NO. | THUMBNAIL   | DESCRIPTION   | DWG.NO. |
|--|--|---------|---|---|---------|---|---|---------|---|---|---------|
|    | EZ80 GENERAL J WINDOW JAMB 1" TRIM     | EZ80.2  |    | EZ86 HORIZONTAL Z 1" TRIM                       | EZ86.1  |    | EZ91 HORIZONTAL Z @ MIDWALL 1-1/4" TRIM | EZ91.3  |    | EZ101 VERTICAL 2" INSULATED WINDOW & DOOR JAMB 5/16" TRIM | EZ101.1 |
|    | EZ81 HORIZONTAL BASE Z STARTER 1" TRIM | EZ81.1  |    | EZ87 2-PIECE 1" TRIM                            | EZ87.1  |    | EZ92 2-PIECE VERTICAL U 1-1/4" TRIM     | EZ92.1  |    | EZ102 VERTICAL OPEN JOINT 5/16" TRIM                      | EZ102.1 |
|    | EZ82 2-PIECE VERTICAL 1" TRIM          | EZ82.1  |    | EZ90 GENERAL J VERTICAL TERMINATION 1-1/4" TRIM | EZ90.1  |    | EZ93 ARROW OUTSIDE CORNER 1-1/4" TRIM   | EZ93.1  |    | EZ103 OUTSIDE CORNER OPEN JOINT 5/16" TRIM                | EZ103.1 |
|    | EZ83 ARROW OUTSIDE CORNER 1" TRIM      | EZ83.1  |    | EZ90 GENERAL J WINDOW JAMB 1-1/4" TRIM          | EZ90.2  |    | EZ94 X OUTSIDE CORNER 1-1/4" TRIM       | EZ94.1  |    | EZ104 2-PIECE ARROW OUTSIDE CORNER 5/16" TRIM             | EZ104.1 |
|   | EZ84 X OUTSIDE CORNER 1" TRIM          | EZ84.1  |   | EZ91 HORIZONTAL Z WINDOW HEAD 1-1/4" TRIM       | EZ91.1  |   | EZ95 INSIDE CORNER 1-1/4" TRIM          | EZ95.1  |   | EZ107 THIN VERTICAL U 3/8" TAB 5/16" TRIM                 | EZ107.1 |
|  | EZ85 INSIDE CORNER 1" TRIM             | EZ85.1  |  | EZ91 HORIZONTAL Z @ BASE STARTER 1-1/4" TRIM    | EZ91.2  |  | EZ96 2-PIECE VERTICAL SLT 1-1/4" TRIM   | EZ96.1  |  | EZ108 2-PIECE J 5/16" TRIM                                | EZ108.1 |

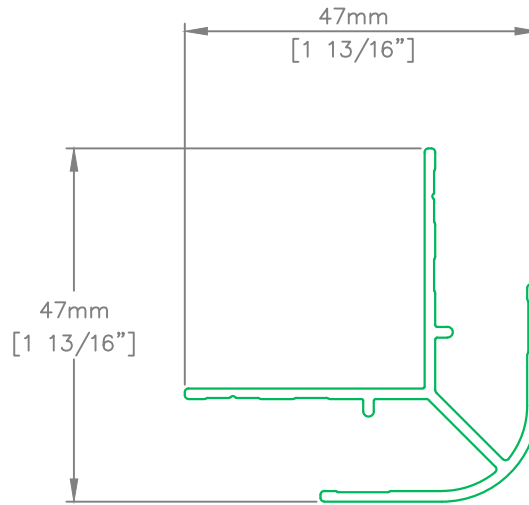
DESCRIPTION

DRAWING NUMBER INDEX

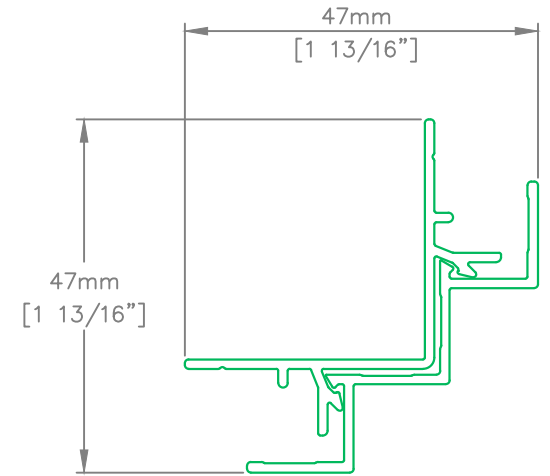
|   |         |         |                |
|---|---------|---------|----------------|
|  | SCALE   | NTS     | DRAWING NUMBER |
|   | DATE    | APR2024 | EZ-IV          |
|   | DRWN BY | DDG     |                |



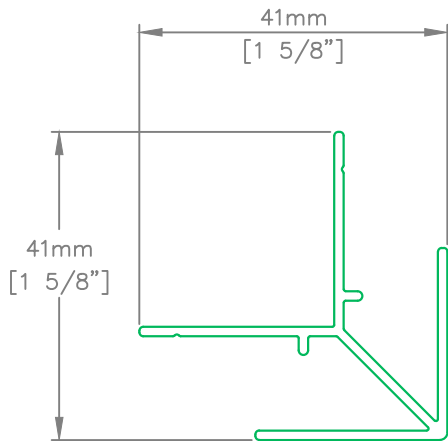
EZ 01  
(DRAWING EZ1.1)



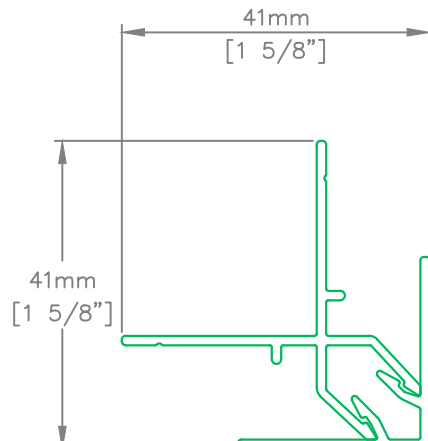
EZ 02  
(DRAWING EZ2.1)



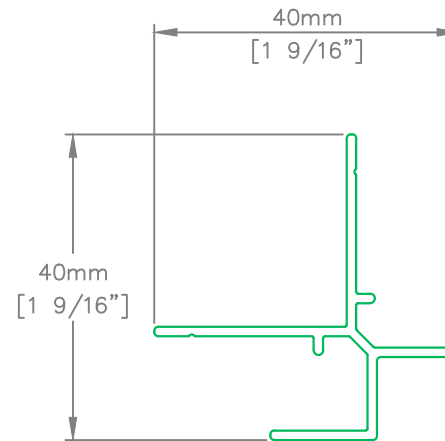
EZ 12  
(DRAWING EZ12.1)



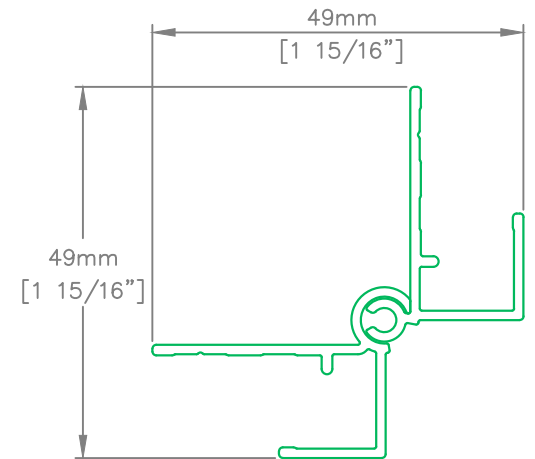
EZ 13  
(DRAWING EZ13.1)



EZ 104  
(DRAWING EZ104.1)




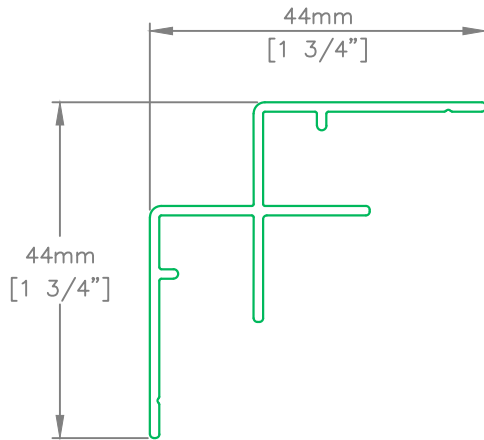
EZ 14  
(DRAWING EZ14.1)



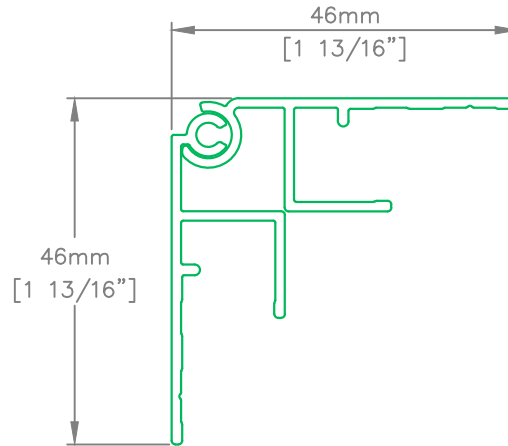
EZ 15  
(DRAWING EZ15.1)

WALL THICKNESS APPROX. 1.3mm [.051"] 16 ga

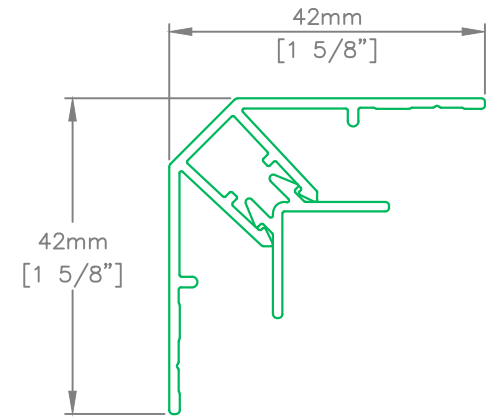
|   |         |         |                |
|---|---------|---------|----------------|
| DESCRIPTION   |         |         |                |
| 5/16" OUTSIDE CORNER TRIM   |         |         |                |
|  | SCALE   | NTS     | DRAWING NUMBER |
|   | DATE    | APR2024 | EZ0.1          |
|   | DRWN BY | HJ/DDG  |                |



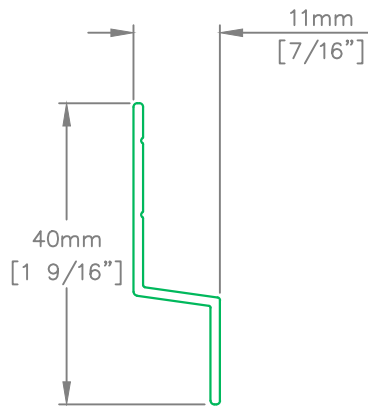
EZ 03  
(DRAWING EZ3.1)



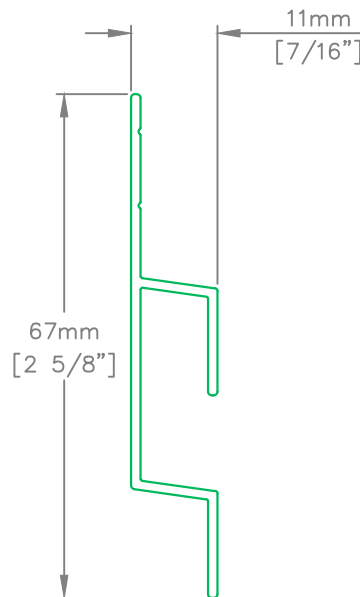
EZ 18  
(DRAWING EZ18.1)



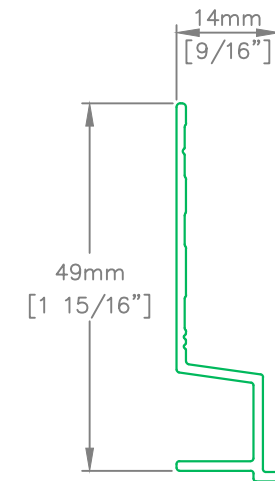
EZ 27  
(DRAWING EZ27.1)



EZ 04  
(DRAWING EZ4.1 EZ4.2 EZ4.3  
EZ60.1 EZ28.1 & EZ28.4)




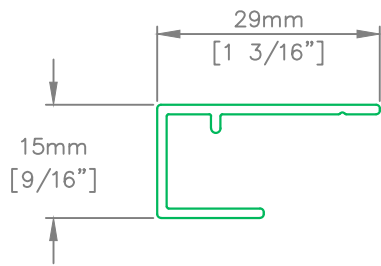
EZ 05



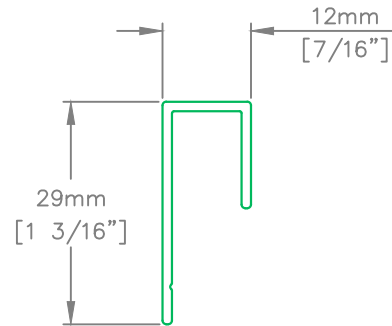
EZ 10  
(DRAWING EZ10.1 & EZ10.2)

WALL THICKNESS APPROX. 1.3mm [.051\"] 16 ga (DRAWING EZ5.1 EZ5.2 & EZ28.2)

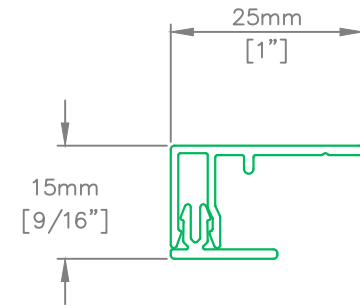
|   |         |         |                |
|---|---------|---------|----------------|
| DESCRIPTION   |         |         |                |
| 5/16" INSIDE CORNER<br>& HORIZONTAL TRIM  |         |         |                |
|  | SCALE   | NTS     | DRAWING NUMBER |
|   | DATE    | APR2024 | EZ0.2          |
|   | DRWN BY | HJ/DDG  |                |



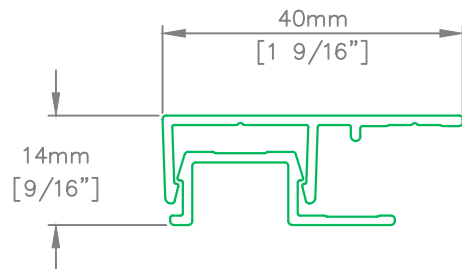
EZ 08  
(DRAWING EZ8.1, EZ8.2 & EZ48.2)



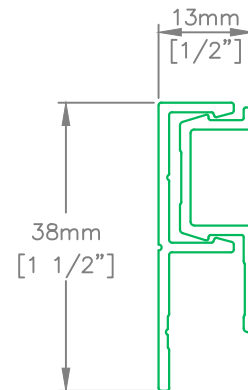
EZ 09  
(DRAWING EZ9.1 & EZ28.3)



EZ 108  
(DRAWING EZ108.1)




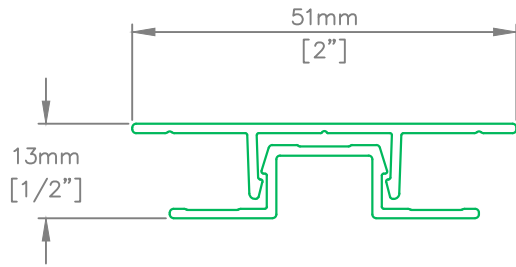
EZ 20  
(DRAWING EZ20.1 & EZ20.2)



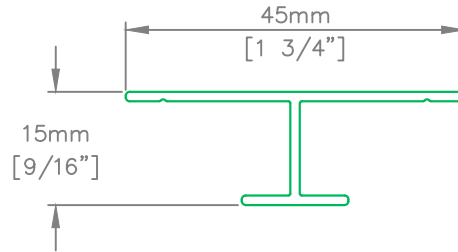
EZ 21  
(DRAWING EZ21.1 & EZ21.2)

WALL THICKNESS APPROX. 1.3mm [.051\"] 16 ga

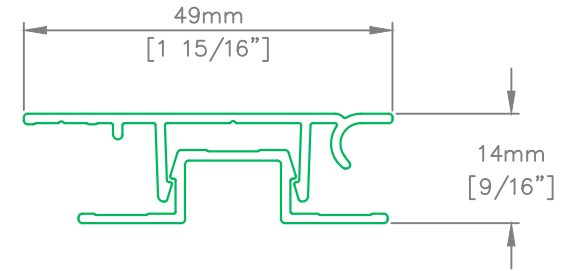
|   |         |         |                |
|---|---------|---------|----------------|
| DESCRIPTION   |         |         |                |
| 5/16" J TRIM  |         |         |                |
|  | SCALE   | NTS     | DRAWING NUMBER |
|   | DATE    | APR2024 | EZ0.3          |
|   | DRWN BY | HJ/DDG  |                |



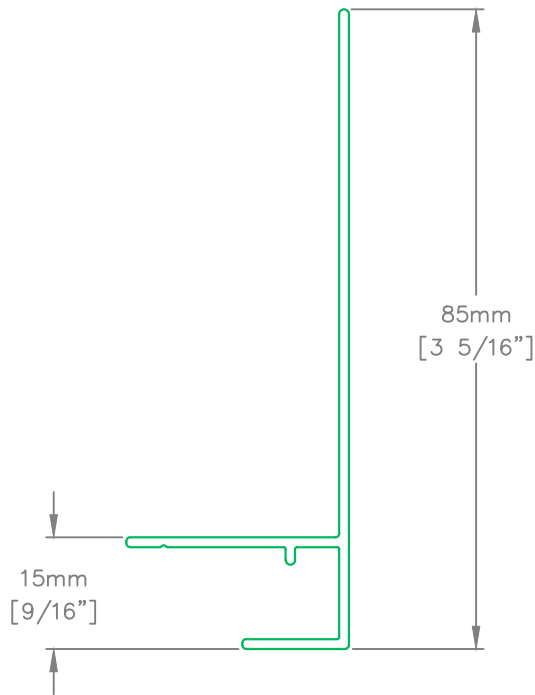
EZ 07  
(DRAWING EZ7.1)



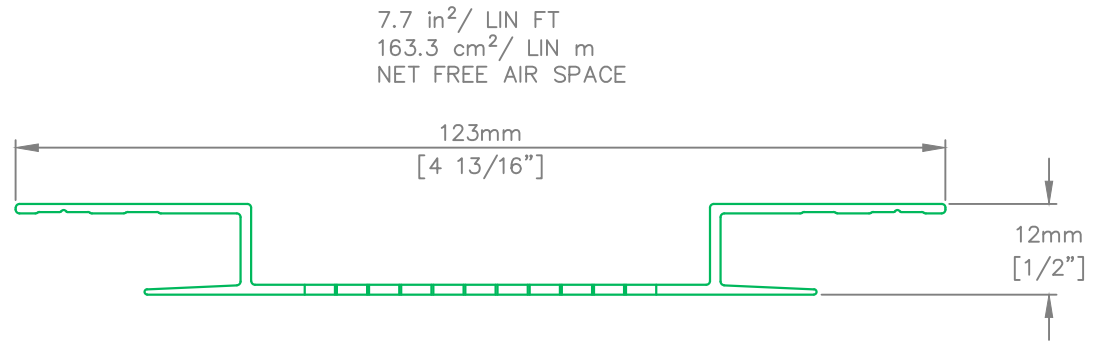
EZ 25  
(DRAWING EZ25.1)



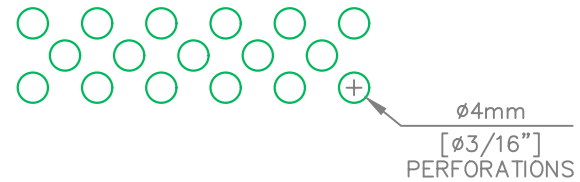
EZ 19  
(DRAWING EZ19.1)



EZ 101  
(DRAWING EZ101.1)




7.7 in<sup>2</sup>/ LIN FT  
163.3 cm<sup>2</sup>/ LIN m  
NET FREE AIR SPACE

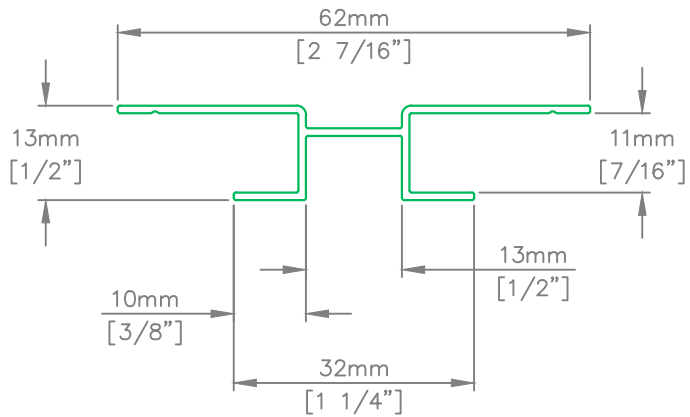


EZ 29  
(DRAWING EZ29.1)

WALL THICKNESS APPROX. 1.3mm [.051"] 16 ga


| DESCRIPTION   |         |         |                |
|---|---------|---------|----------------|
| 5/16" VERTICAL & SOFFIT TRIM  |         |         |                |
|  | SCALE   | NTS     | DRAWING NUMBER |
|   | DATE    | APR2024 | EZO.4          |
|   | DRWN BY | HJ/DDG  |                |

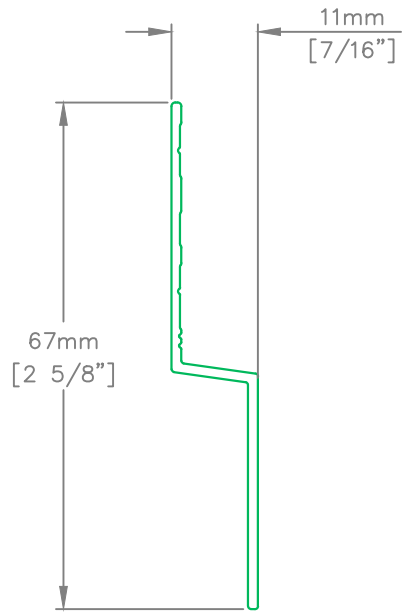




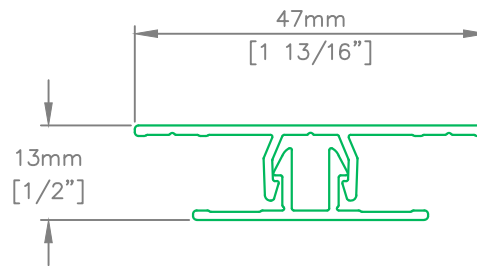
EZ 107  
(DRAWING EZ107.1)

WALL THICKNESS APPROX. 1.3mm [.051"] 16 ga

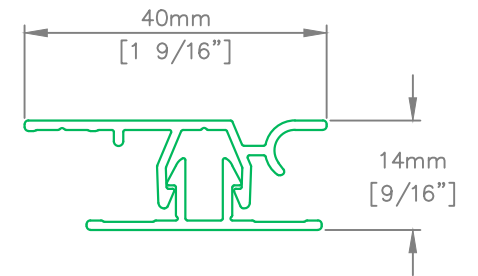
|   |         |         |                |
|---|---------|---------|----------------|
| DESCRIPTION   |         |         |                |
| 5/16" MISCELLANEOUS TRIM  |         |         |                |
|  | SCALE   | NTS     | DRAWING NUMBER |
|   | DATE    | APR2024 | EZ0.5          |
|   | DRWN BY | HJ/DDG  |                |



EZ 22  
(DRAWING EZ22.1)




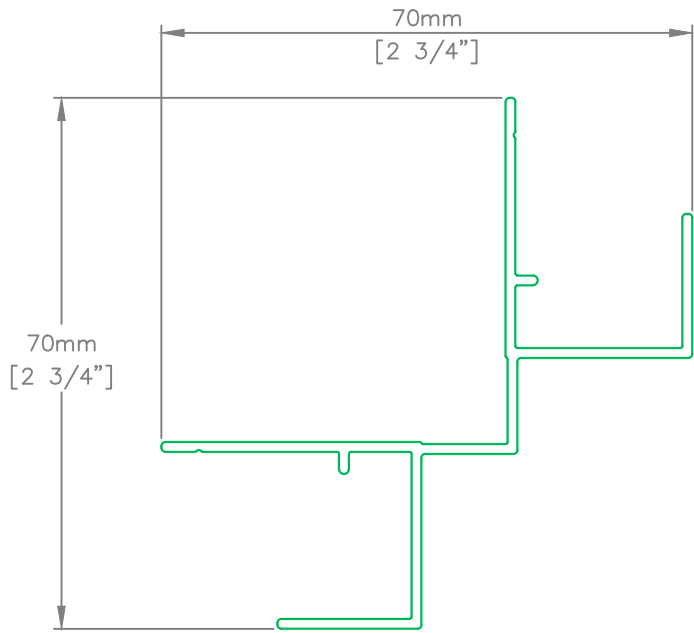
EZ 23  
(DRAWING EZ23.1)



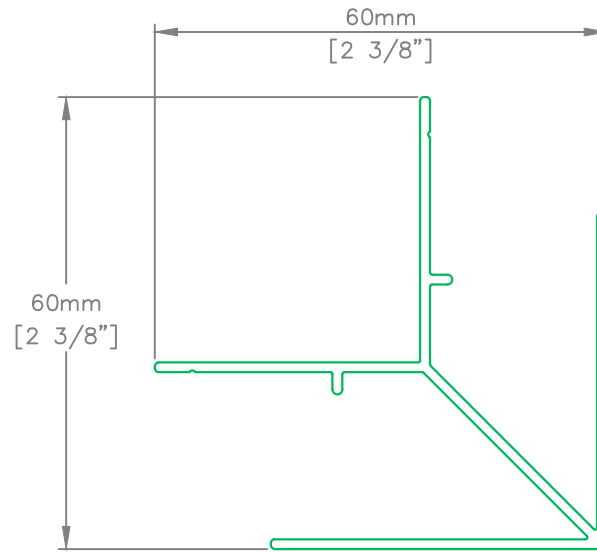
EZ 24  
(DRAWING EZ24.1)

WALL THICKNESS APPROX. 1.3mm [.051"] 16 ga

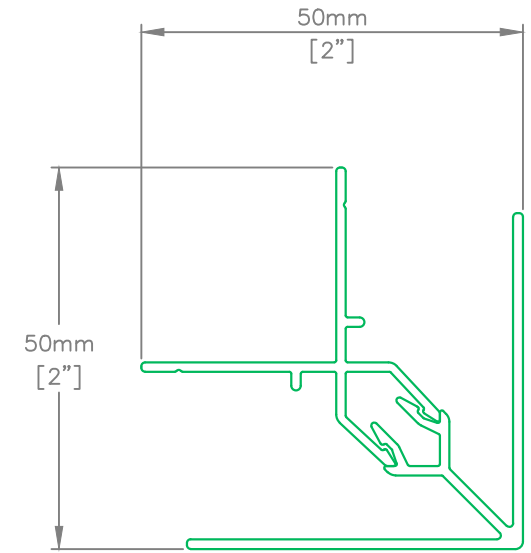
|   |         |         |                |
|---|---------|---------|----------------|
| DESCRIPTION   |         |         |                |
| 5/16" SLT (SLIM LINE) TRIM  |         |         |                |
|  | SCALE   | NTS     | DRAWING NUMBER |
|   | DATE    | APR2024 | EZ0.6          |
|   | DRWN BY | HJ/DDG  |                |



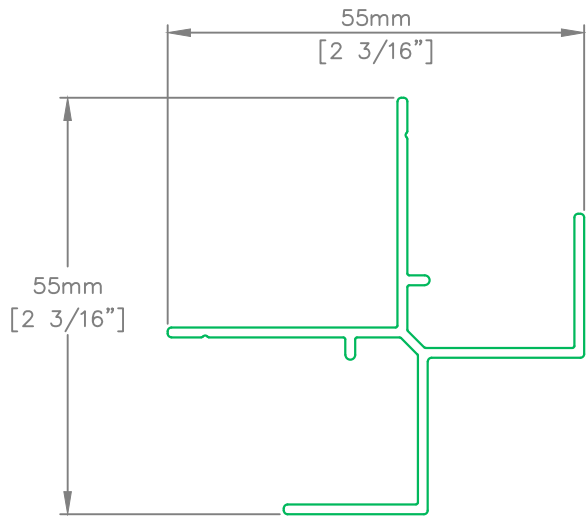
EZ 31  
(DRAWING EZ31.1)



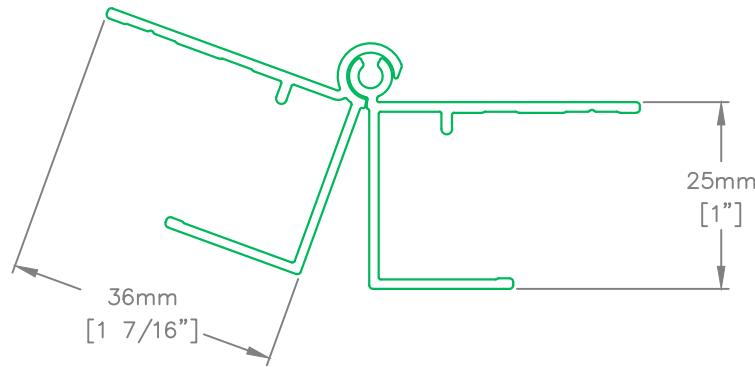
EZ 33  
(DRAWING EZ33.1)



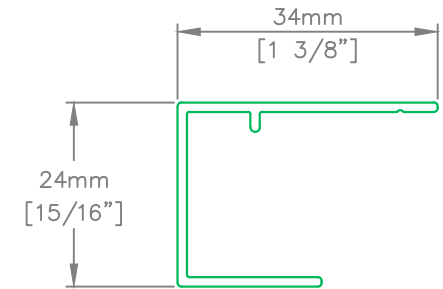
EZ 42  
(DRAWING EZ42.1)



EZ 34  
(DRAWING EZ34.1)




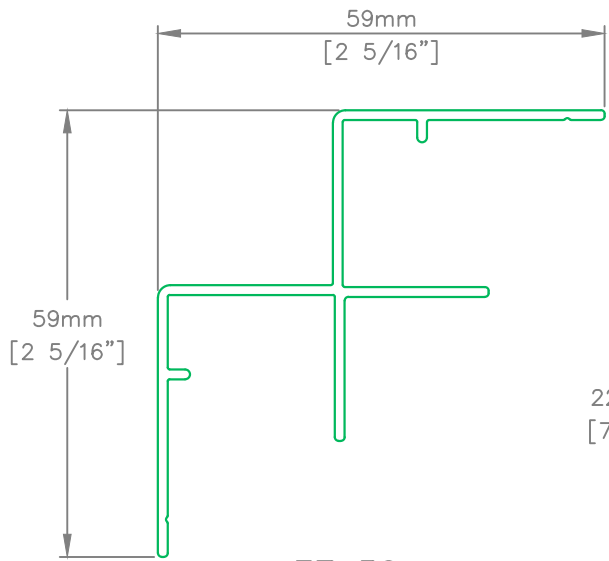
EZ 35  
(DRAWING EZ35.1)



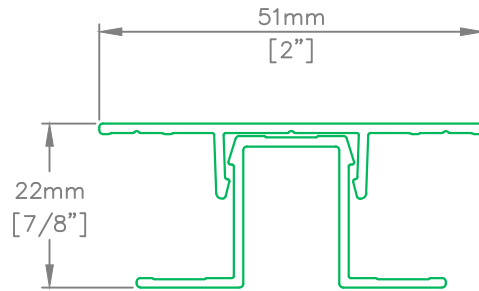
EZ 40  
(DRAWING EZ40.1,  
EZ40.2 EZ40.3  
EZ28.4 & EZ28.6)

WALL THICKNESS APPROX. 1.3mm [.051\"] 16 ga

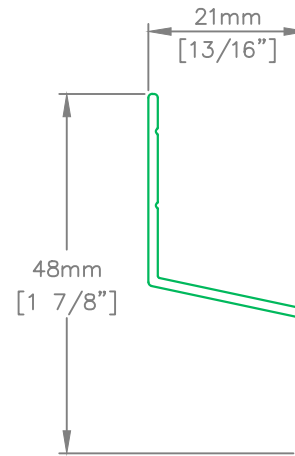
|   |         |         |                |
|---|---------|---------|----------------|
| DESCRIPTION   |         |         |                |
| 3/4\"/>   |         |         |                |
|  | SCALE   | NTS     | DRAWING NUMBER |
|   | DATE    | APR2024 | EZO.7          |
|   | DRWN BY | HJ/DDG  |                |



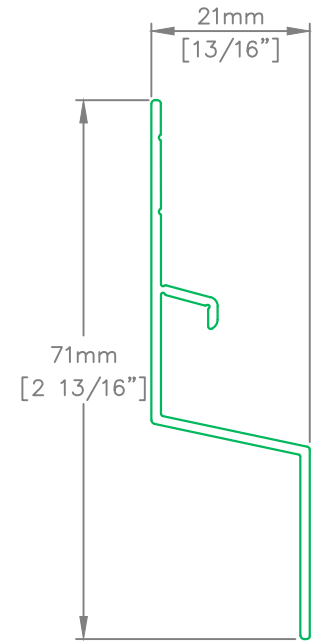
EZ 36  
(DRAWING EZ36.1)



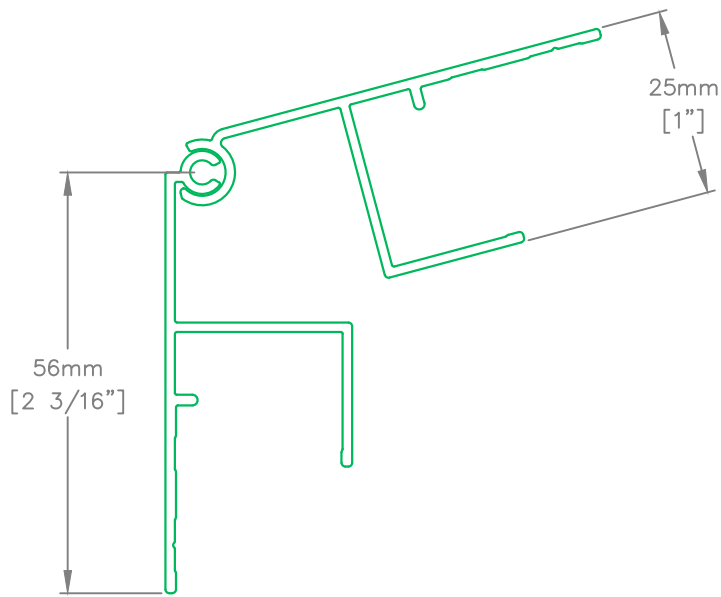
EZ 38  
(DRAWING EZ38.1)



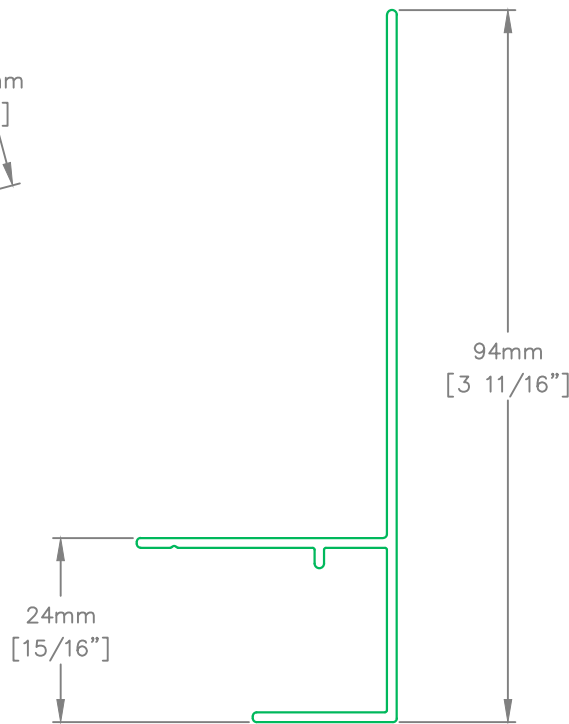
EZ 44  
(DRAWING EZ44.1)



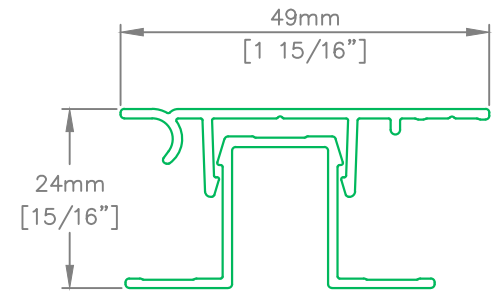
EZ 48  
(DRAWING EZ48.1 & EZ48.2)



EZ 37  
(DRAWING EZ37.1)



EZ 41  
(DRAWING EZ41.1)



EZ 39  
(DRAWING 39.1)

WALL THICKNESS APPROX. 1.3mm [.051\"] 16 ga

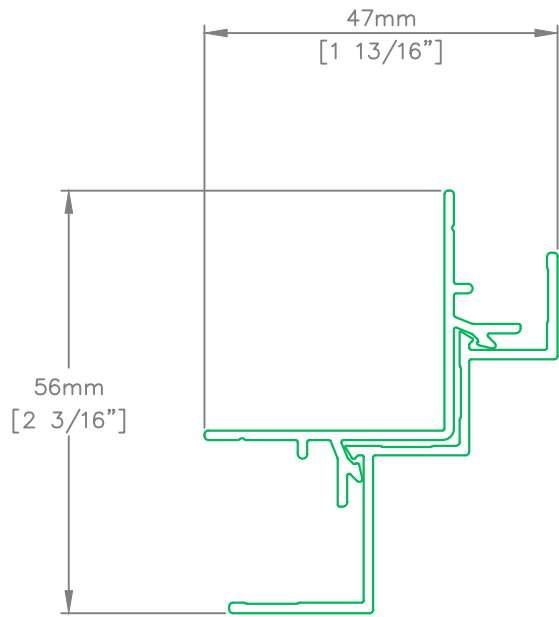
DESCRIPTION

3/4\" IN INSIDE CORNER, HORIZONTAL,  
VERTICAL & J TRIM

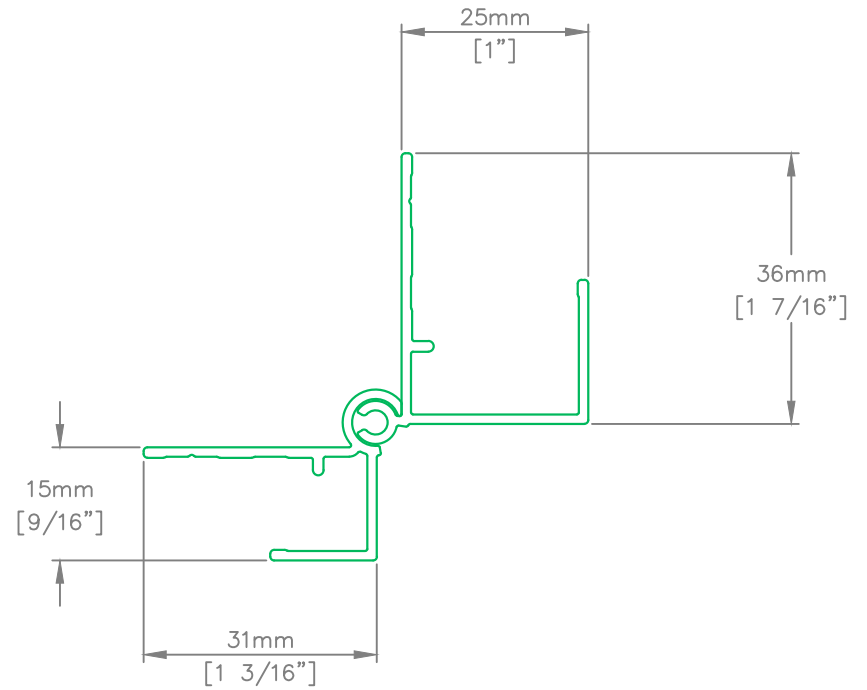


**EasyTrim®**  
Reveals

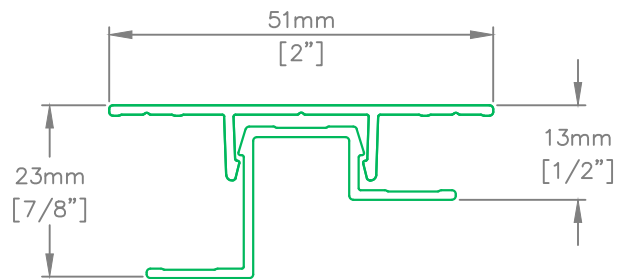
| SCALE   | NTS     | DRAWING NUMBER |
|---------|---------|----------------|
| DATE    | APR2024 | EZ0.8          |
| DRWN BY | HJ/DDG  |                |



EZ 16  
(DRAWING EZ16.1)




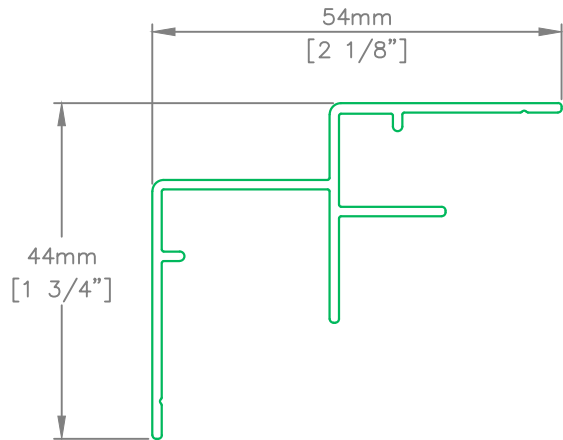
EZ 45  
(DRAWING EZ45.1)



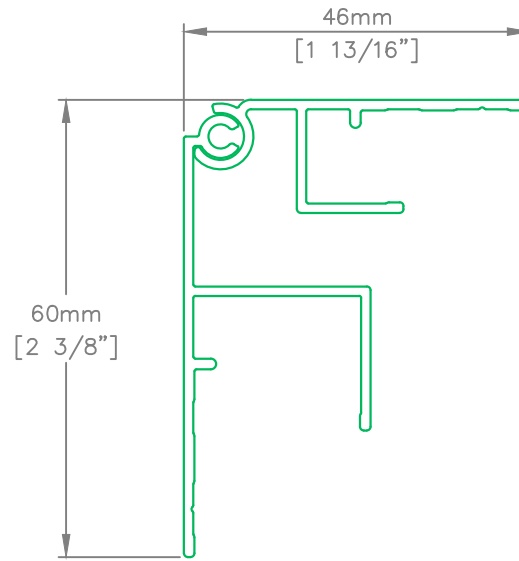
EZ 11  
(DRAWING EZ11.1)

WALL THICKNESS APPROX. 1.3mm [.051"] 16 ga

|   |         |         |                |
|---|---------|---------|----------------|
| DESCRIPTION   |         |         |                |
| 5/16" TO 3/4" OUTSIDE CORNER<br>& VERTICAL TRANSITION TRIM                            |         |         |                |
|  | SCALE   | NTS     | DRAWING NUMBER |
|   | DATE    | APR2024 | EZO.9          |
|   | DRWN BY | HJ/DDG  |                |




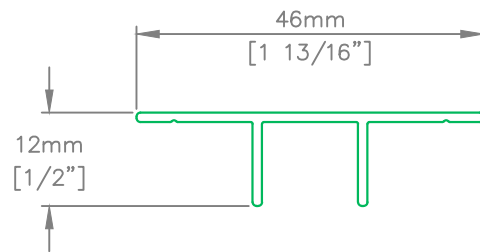
EZ 17  
(DRAWING EZ17.1)



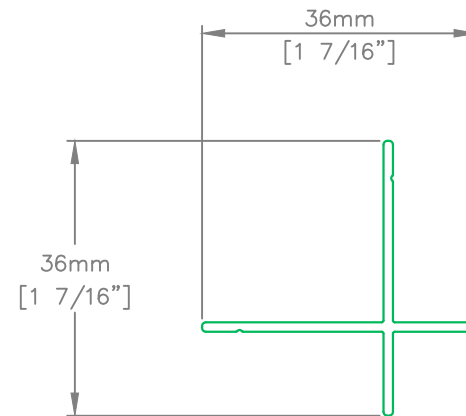
EZ 46  
(DRAWING EZ46.1)

WALL THICKNESS APPROX. 1.3mm [.051\"] 16 ga

|   |         |         |                |
|---|---------|---------|----------------|
| DESCRIPTION   |         |         |                |
| 5/16" TO 3/4" INSIDE CORNER<br>TRANSITION TRIM  |         |         |                |
|  | SCALE   | NTS     | DRAWING NUMBER |
|   | DATE    | APR2024 | EZ0.10         |
|   | DRWN BY | HJ/DDG  |                |




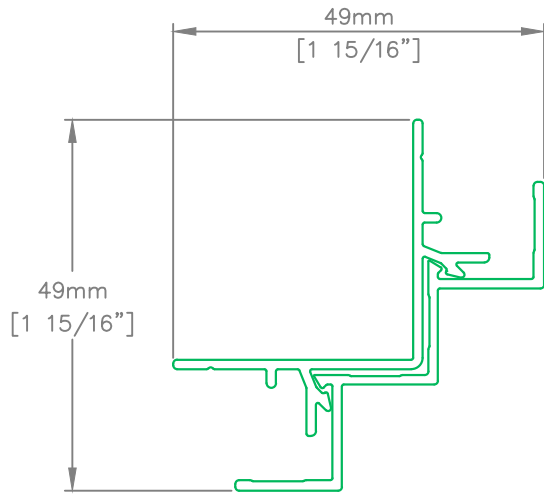
EZ 102  
(DRAWING EZ102.1)



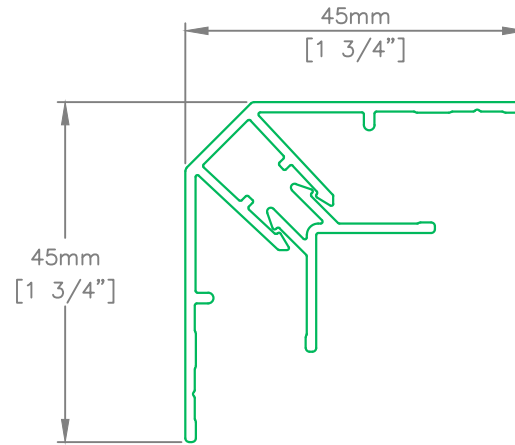
EZ 103  
(DRAWING EZ103.1)

WALL THICKNESS APPROX. 1.3mm [.051"] 16 ga

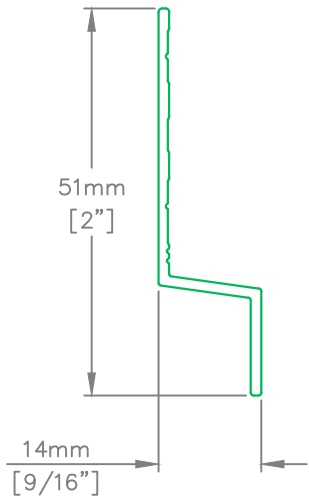
|   |         |         |                |
|---|---------|---------|----------------|
| DESCRIPTION   |         |         |                |
| 5/16" OPEN JOINT TRIMS  |         |         |                |
|  | SCALE   | NTS     | DRAWING NUMBER |
|   | DATE    | APR2024 | EZ0.11         |
|   | DRWN BY | HJ/DDG  |                |



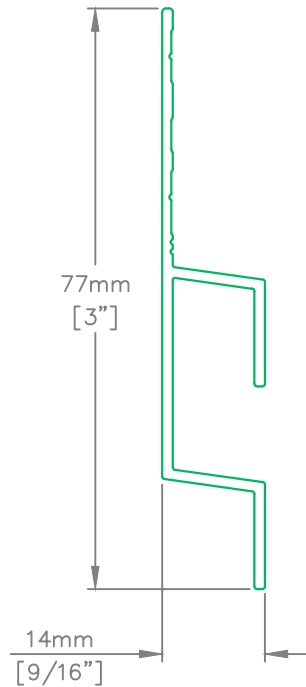
EZ 62  
(DRAWING EZ62.1)



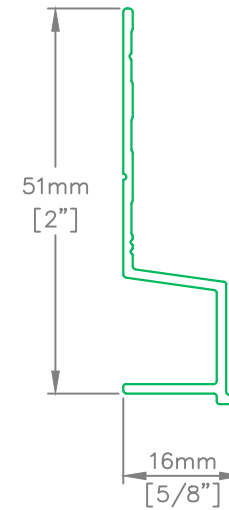
EZ 63  
(DRAWING EZ63.1)



EZ 64  
(DRAWING EZ64.1)




EZ 65  
(DRAWING EZ65.1)

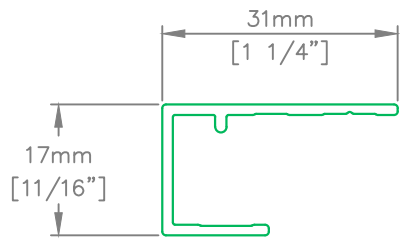


EZ 70  
(DRAWING EZ70.1)

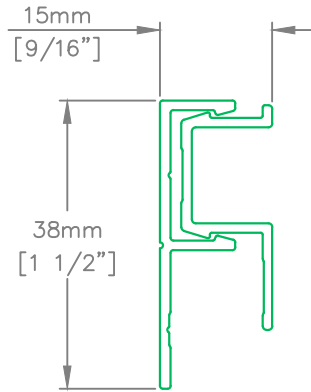
WALL THICKNESS APPROX. 1.3mm [.051"] 16 ga

|   |         |         |                |
|---|---------|---------|----------------|
| DESCRIPTION   |         |         |                |
| 7/16" OUTSIDE CORNER, INSIDE CORNER & HORIZONTAL TRIM                                 |         |         |                |
|  | SCALE   | NTS     | DRAWING NUMBER |
|   | DATE    | APR2024 | EZ0.12         |
|   | DRWN BY | HJ/DDG  |                |

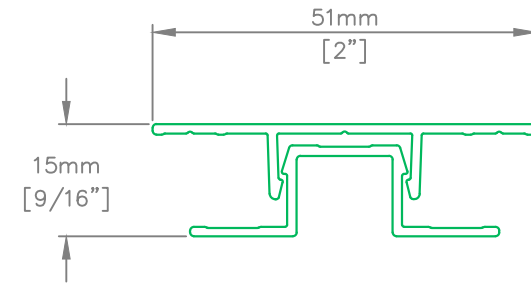




EZ 68  
(DRAWING EZ68.1 & EZ68.2)

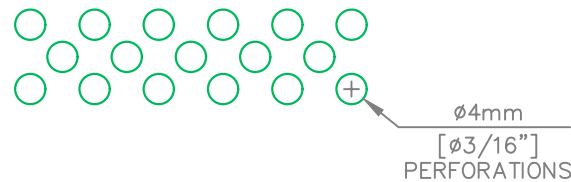
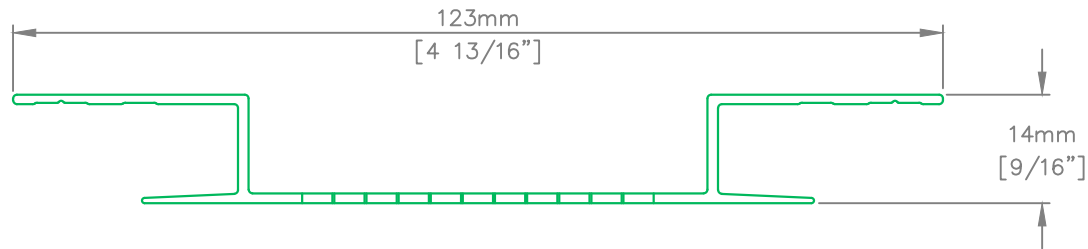


EZ 71  
(DRAWING EZ71.1)



EZ 67  
(DRAWING EZ67.1)

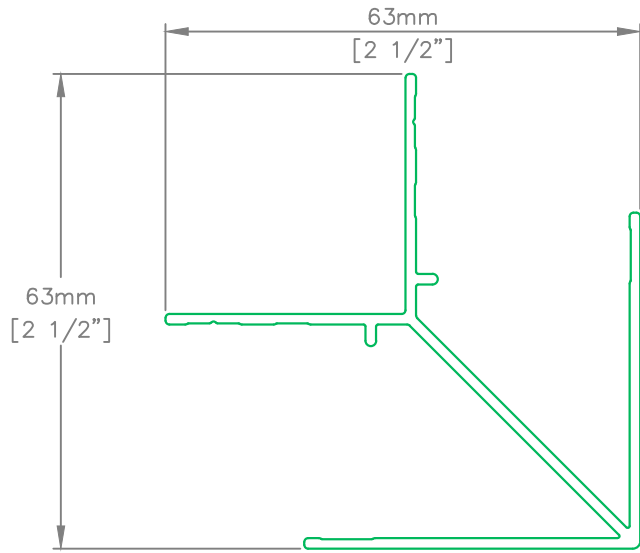
7.7 in<sup>2</sup>/ LIN FT  
163.3 cm<sup>2</sup>/ LIN m  
NET FREE AIR SPACE



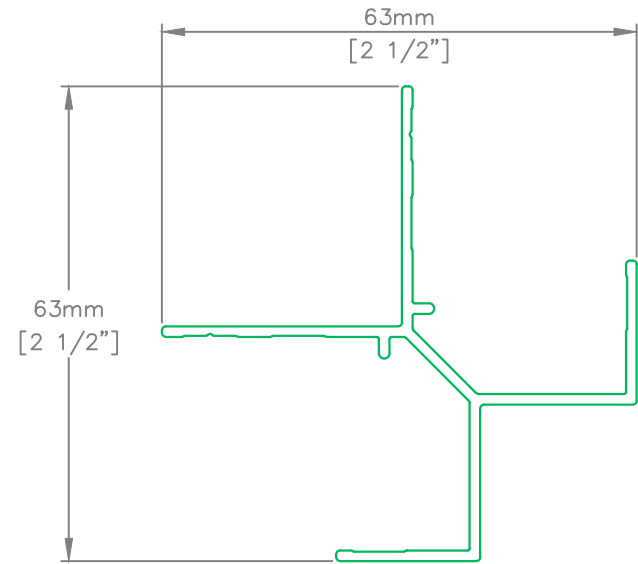
EZ 79  
(DRAWING EZ79.1)

WALL THICKNESS APPROX. 1.3mm [.051"] 16 ga

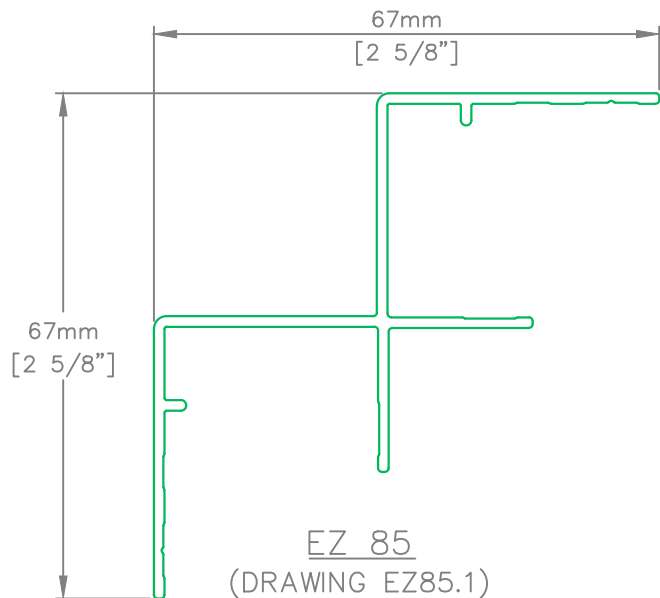
|  |         |         |                |
|--|---------|---------|----------------|
| DESCRIPTION                                |         |         |                |
| 7/16" GENERAL J, VERTICAL<br>& SOFFIT TRIM |         |         |                |
|  | SCALE   | NTS     | DRAWING NUMBER |
|  | DATE    | APR2024 | EZ0.13         |
|  | DRWN BY | HJ/DDG  |                |



EZ 83  
(DRAWING EZ83.1)




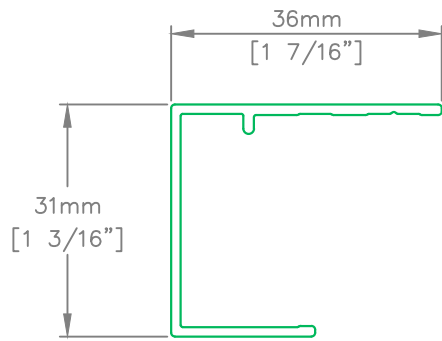
EZ 84  
(DRAWING EZ84.1)



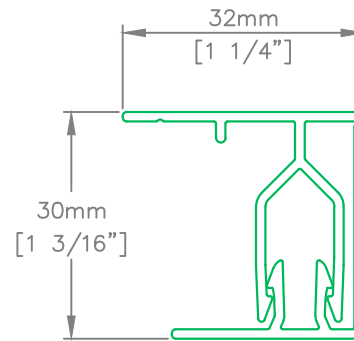
EZ 85  
(DRAWING EZ85.1)

WALL THICKNESS APPROX. 1.3mm [.051"] 16 ga

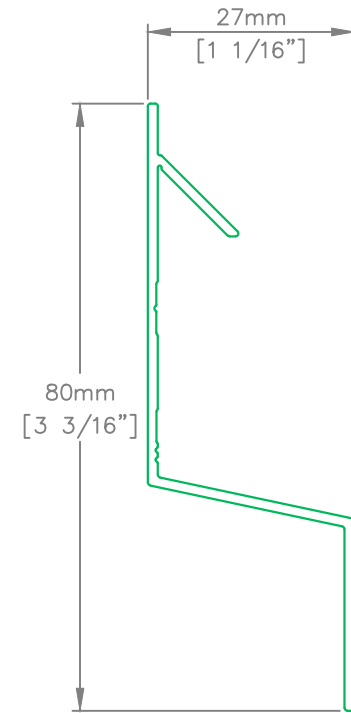
|   |         |         |                |
|---|---------|---------|----------------|
| DESCRIPTION   |         |         |                |
| 1" OUTSIDE & INSIDE TRIM  |         |         |                |
|  | SCALE   | NTS     | DRAWING NUMBER |
|   | DATE    | APR2024 | EZO.14         |
|   | DRWN BY | HJ/DDG  |                |



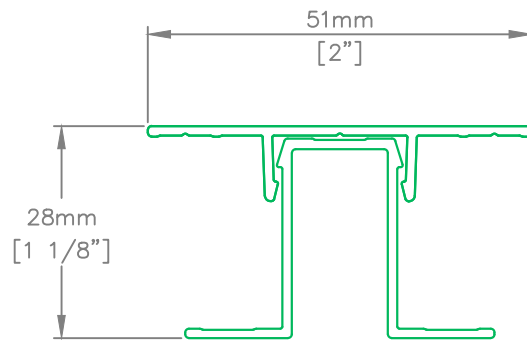
EZ 80  
(DRAWING EZ80.1 & EZ80.2)



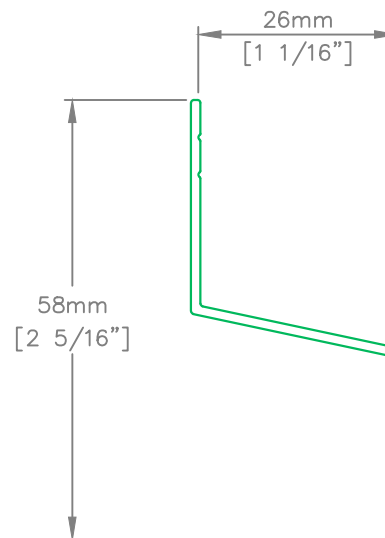
EZ 87  
(DRAWING EZ87.1)



EZ 81  
(DRAWING EZ81.1)




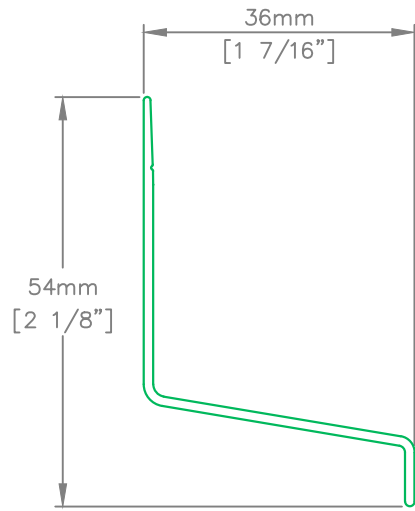
EZ 82  
(DRAWING EZ82.1)



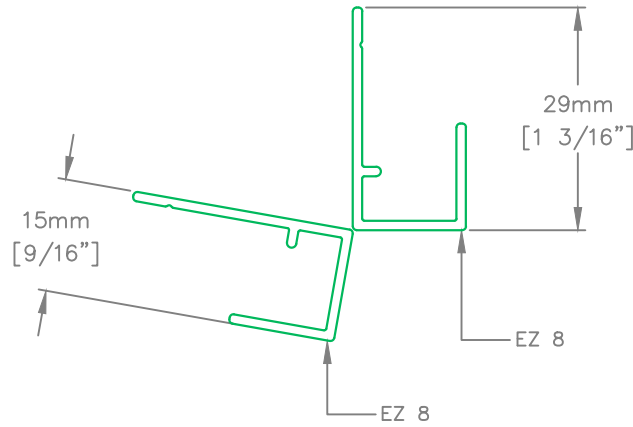
EZ 86  
(DRAWING EZ86.1)

WALL THICKNESS APPROX. 1.3mm [.051"] 16 ga

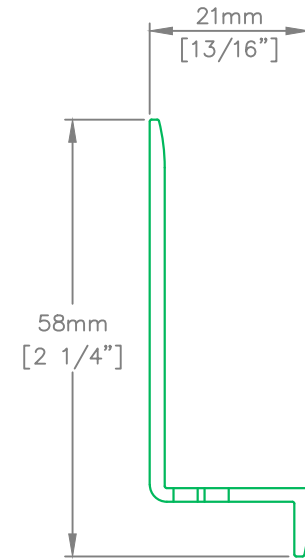
|   |         |         |                |
|---|---------|---------|----------------|
| DESCRIPTION   |         |         |                |
| 1" GENERAL J, HORIZONTAL<br>& VERTICAL TRIM   |         |         |                |
|  | SCALE   | NTS     | DRAWING NUMBER |
|   | DATE    | APR2024 | EZ0.15         |
|   | DRWN BY | HJ/DDG  |                |



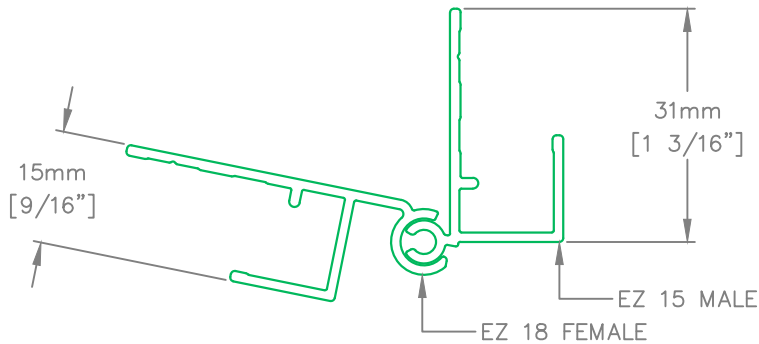
EZ 28  
 (DRAWING EZ28.1 EZ28.2 EZ28.3  
 EZ28.4 EZ28.5 EZ28.6 & EZ28.7)



EZ ACUTE CORNER  
 (DRAWING EZ8.3)




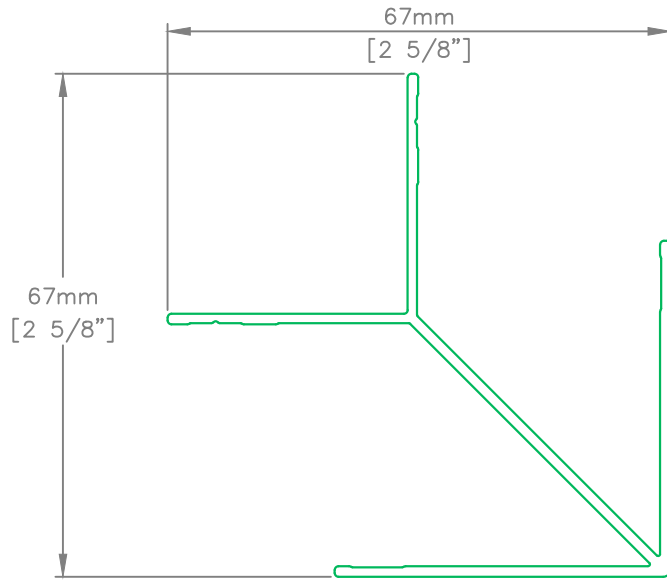
EZ 60  
 (DRAWING EZ60.1)



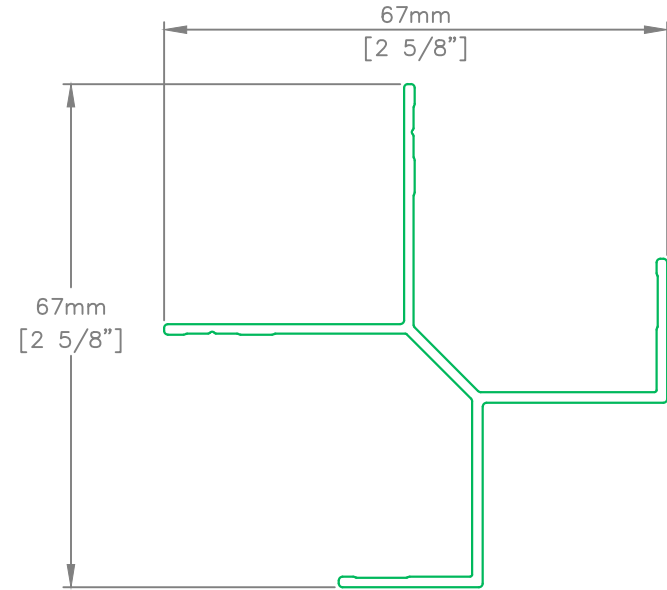
EZ ACUTE CORNER  
 (DRAWING EZ15.2)

WALL THICKNESS APPROX. 1.3mm [.051\"] 16 ga

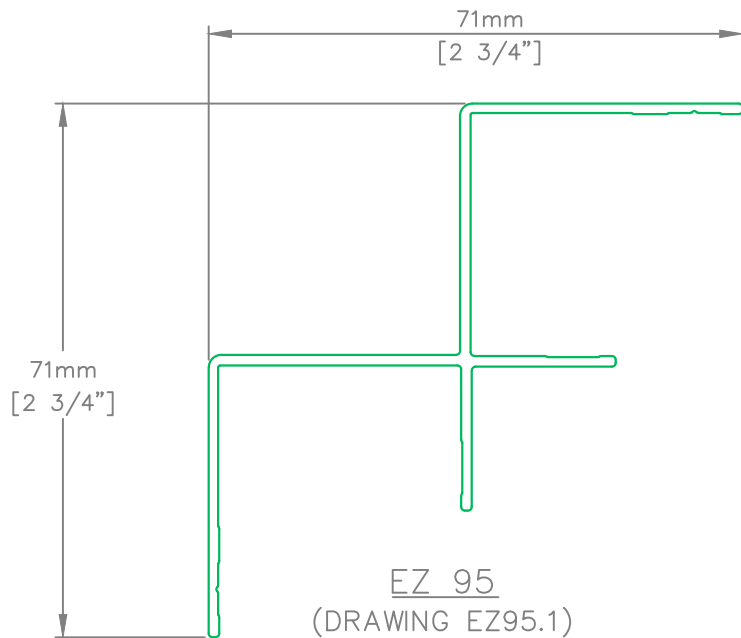
| DESCRIPTION   |         |         |                |
|---|---------|---------|----------------|
| UNIVERSAL & MISCELLANEOUS TRIM  |         |         |                |
|  | SCALE   | NTS     | DRAWING NUMBER |
|   | DATE    | APR2024 | EZ0.16         |
|   | DRWN BY | HJ/DDG  |                |



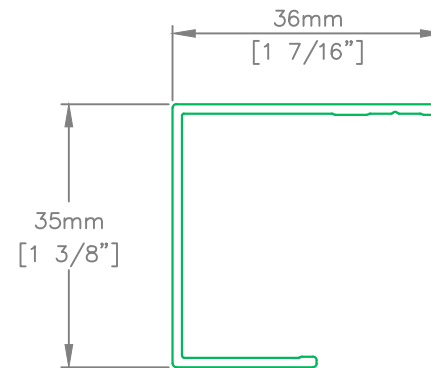
EZ 93  
(DRAWING EZ93.1)



EZ 94  
(DRAWING EZ94.1)




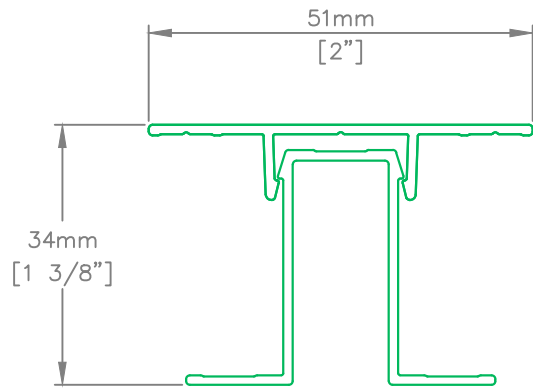
EZ 95  
(DRAWING EZ95.1)



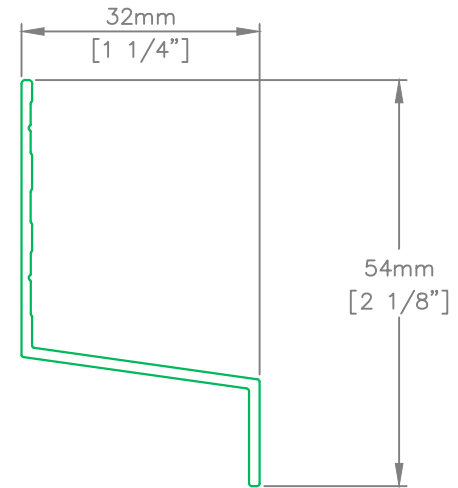
EZ 90  
(DRAWING EZ90.1 & EZ90.2)

WALL THICKNESS APPROX. 1.3mm [.051\"] 16 ga

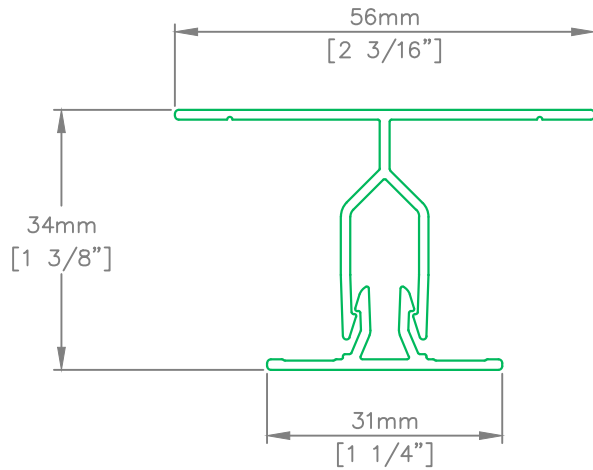
|   |         |         |                |
|---|---------|---------|----------------|
| DESCRIPTION   |         |         |                |
| 1-1/4" OUTSIDE & INSIDE TRIM  |         |         |                |
|  | SCALE   | NTS     | DRAWING NUMBER |
|   | DATE    | APR2024 | EZO.17         |
|   | DRWN BY | HJ/DDG  |                |



EZ 92  
(DRAWING EZ92.1)




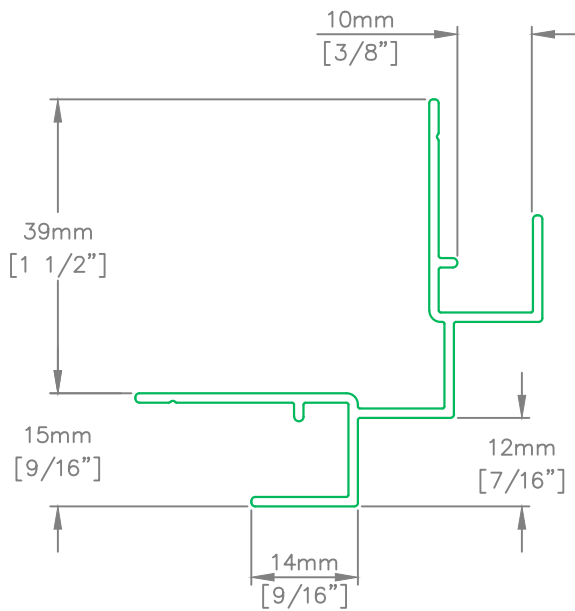
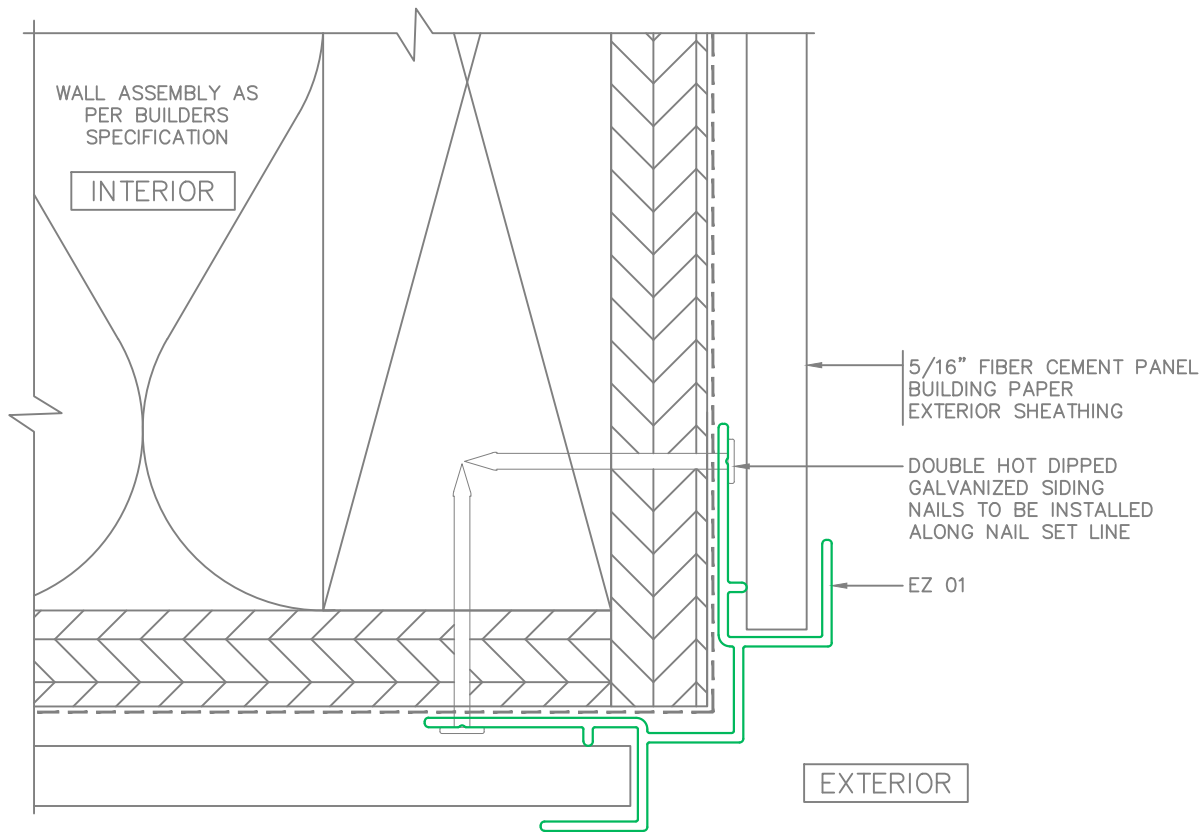
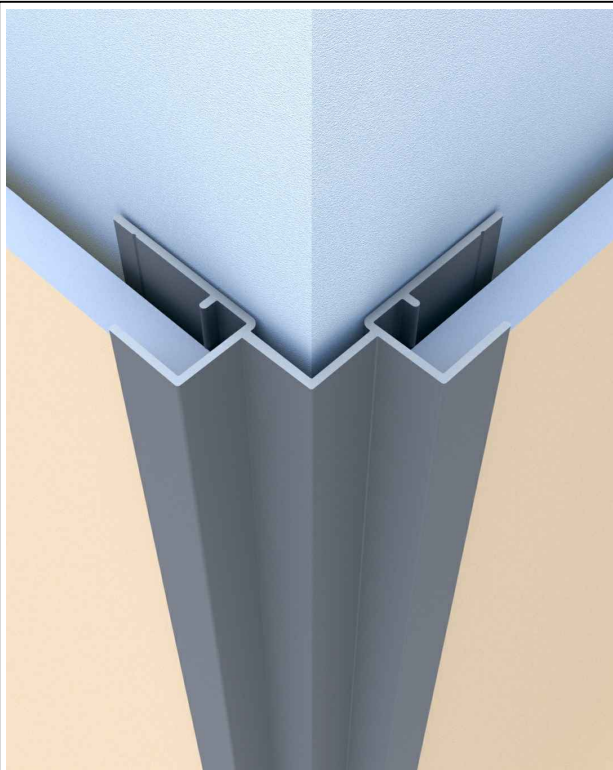
EZ 91  
(DRAWING EZ91.1, EZ91.2 & EZ91.3)




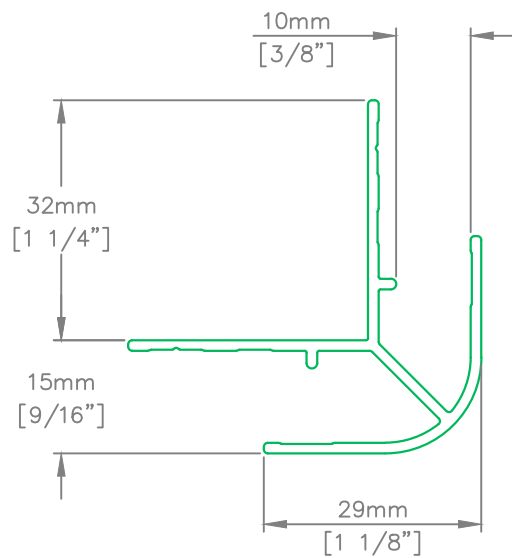
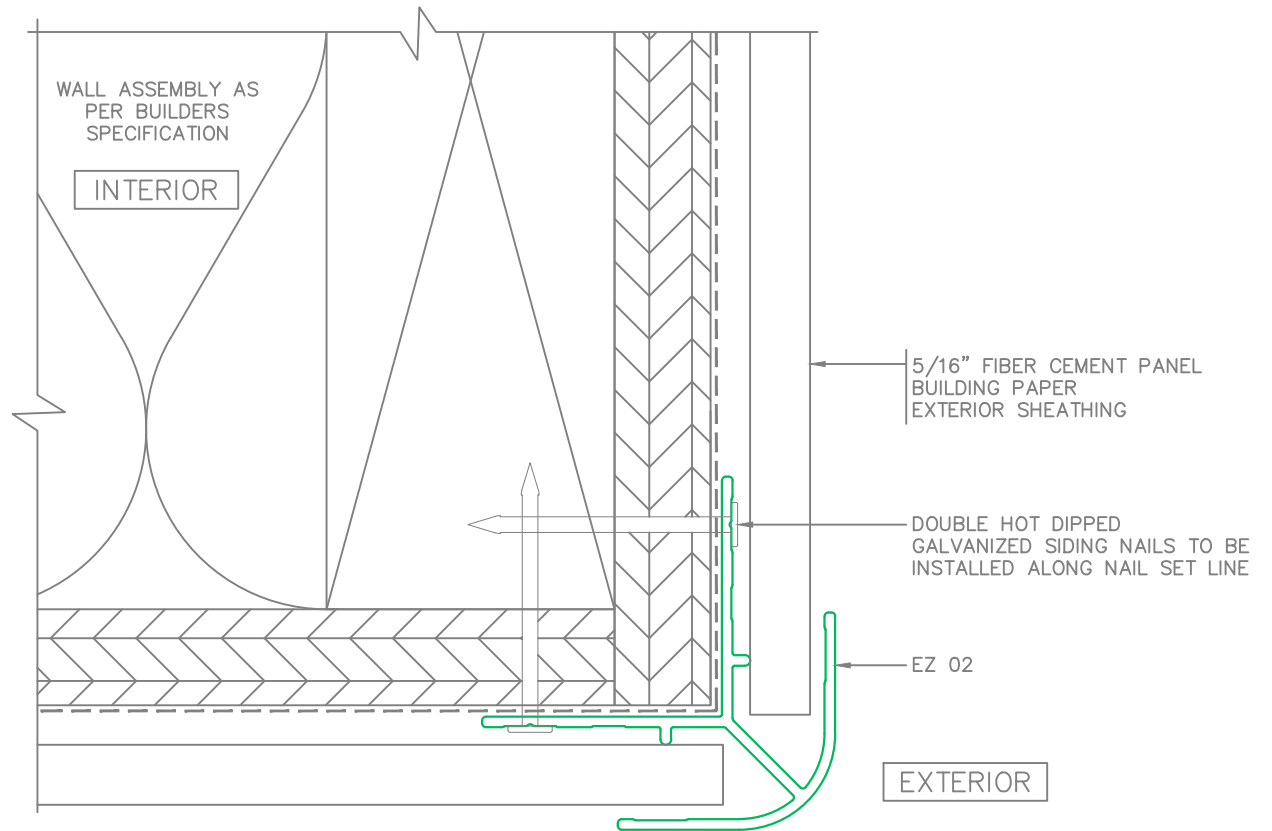
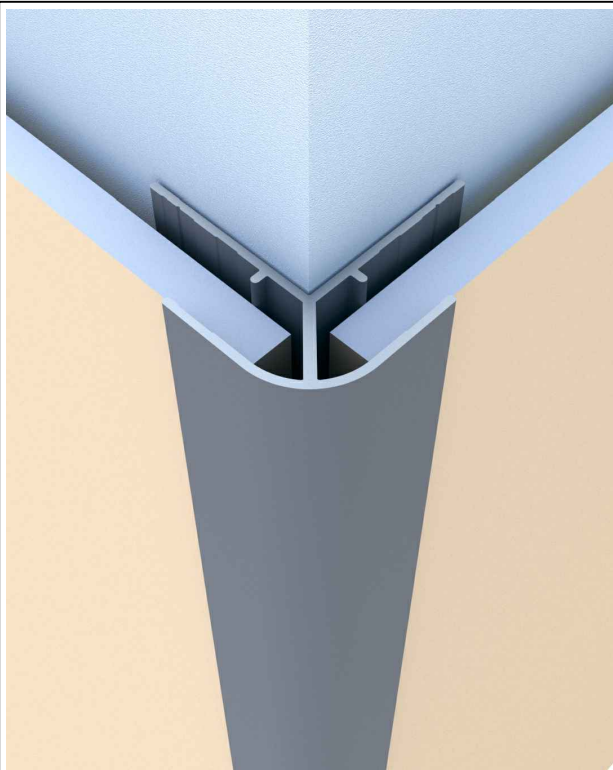
EZ 96  
(DRAWING EZ96.1)

WALL THICKNESS APPROX. 1.3mm [.051"] 16 ga

|   |         |         |                |
|---|---------|---------|----------------|
| DESCRIPTION   |         |         |                |
| 1-1/4" GENERAL J, HORIZONTAL & VERTICAL TRIM  |         |         |                |
|  | SCALE   | NTS     | DRAWING NUMBER |
|   | DATE    | APR2024 | EZ0.18         |
|   | DRWN BY | HJ/DDG  |                |

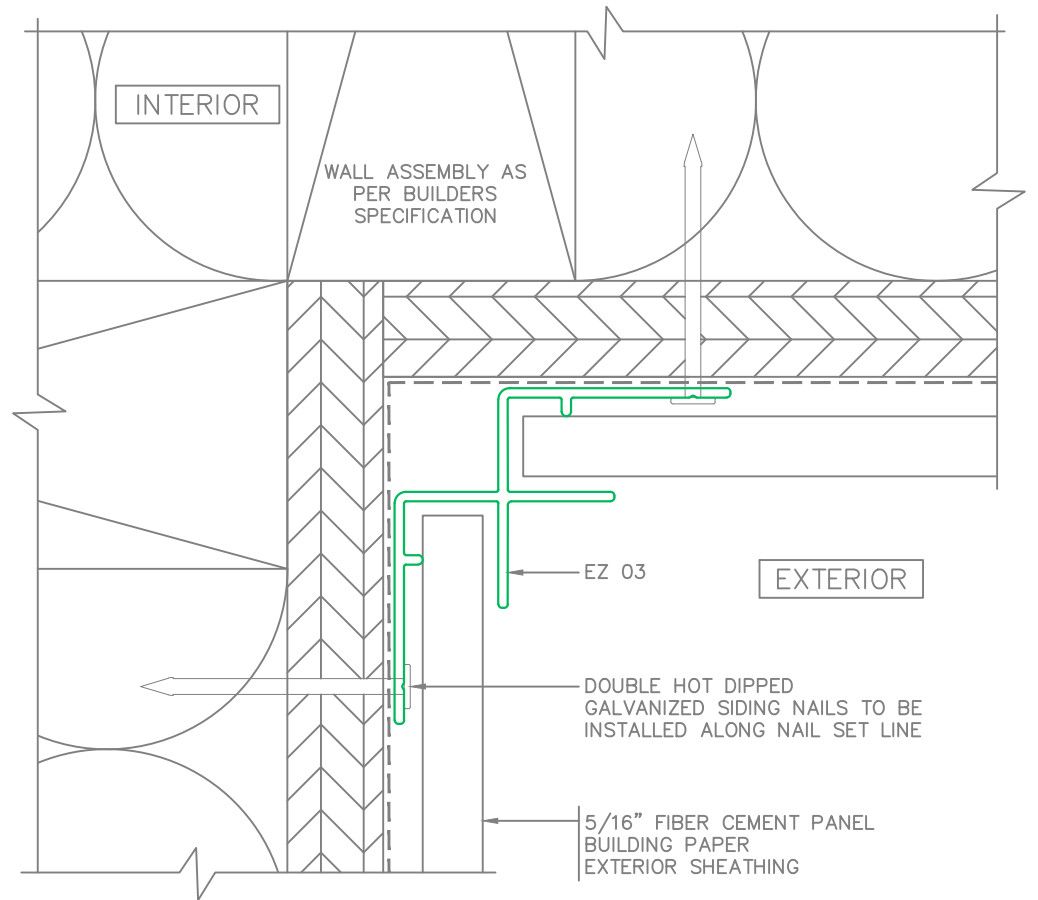
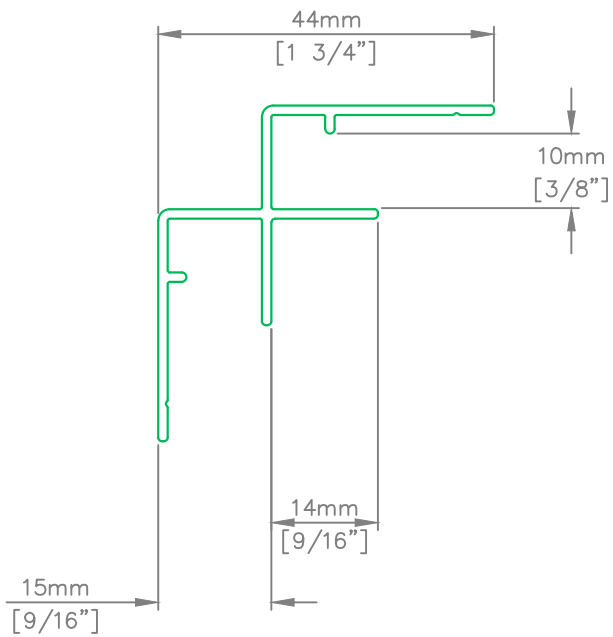
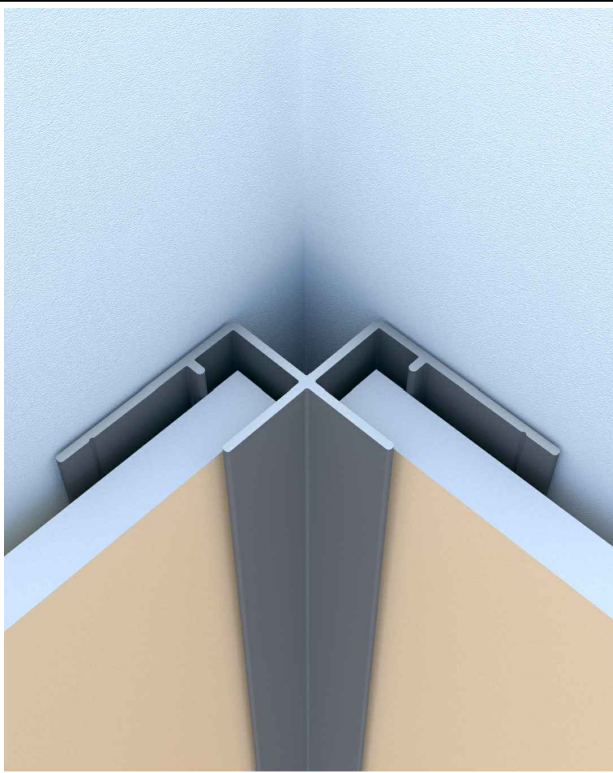



|   |         |         |                |
|---|---------|---------|----------------|
| DESCRIPTION   |         |         |                |
| EZ 01 SQUARE OUTSIDE CORNER<br>5/16" TRIM   |         |         |                |
|  | SCALE   | NTS     | DRAWING NUMBER |
|   | DATE    | APR2024 | EZ1.1          |
|   | DRWN BY | HJ/DDG  |                |

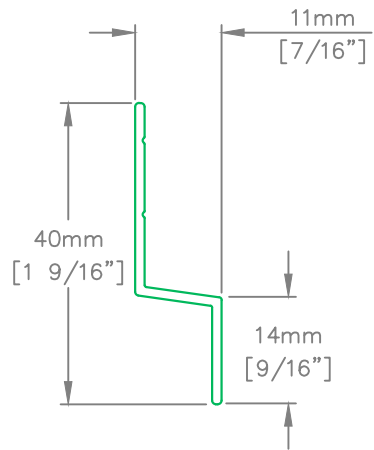
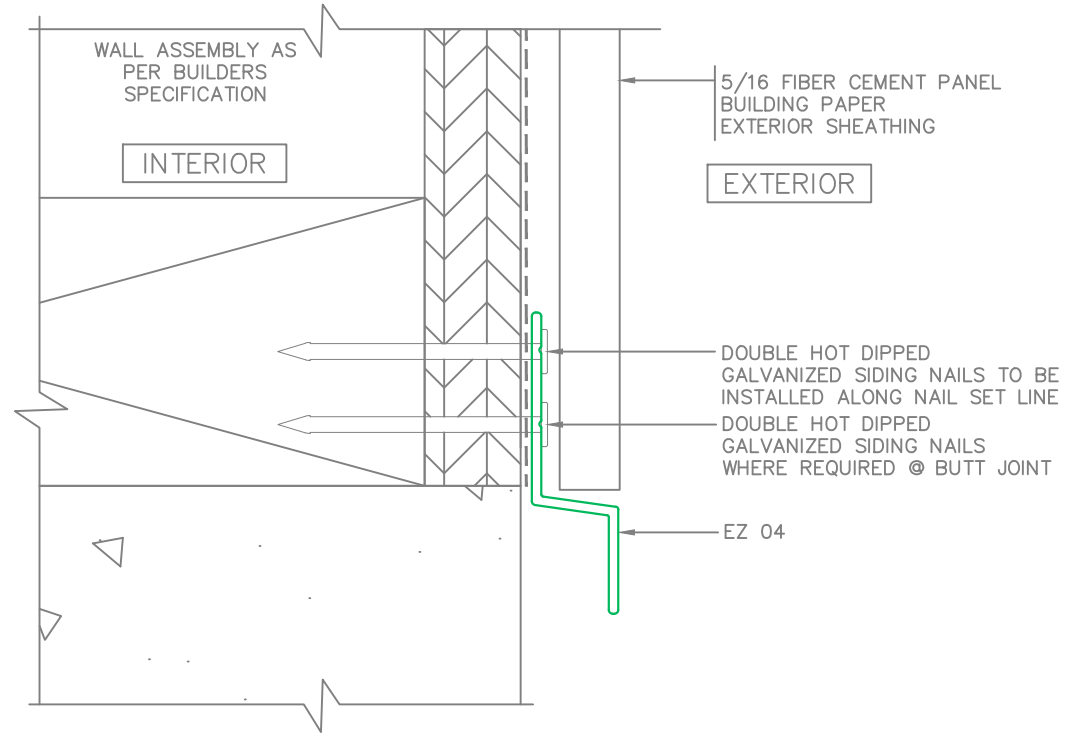



|  |         |         |                |
|--|---------|---------|----------------|
| DESCRIPTION                              |         |         |                |
| EZ 02 ROUND OUTSIDE CORNER<br>5/16" TRIM |         |         |                |
|  | SCALE   | NTS     | DRAWING NUMBER |
|  | DATE    | APR2024 | EZ2.1          |
|  | DRWN BY | HJ/DDG  |                |

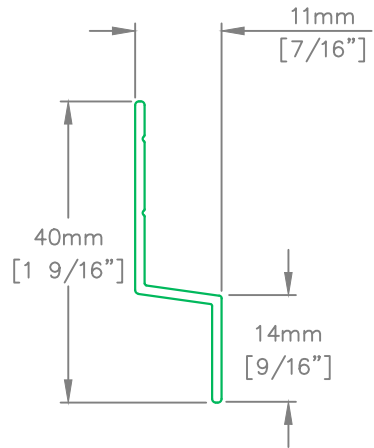
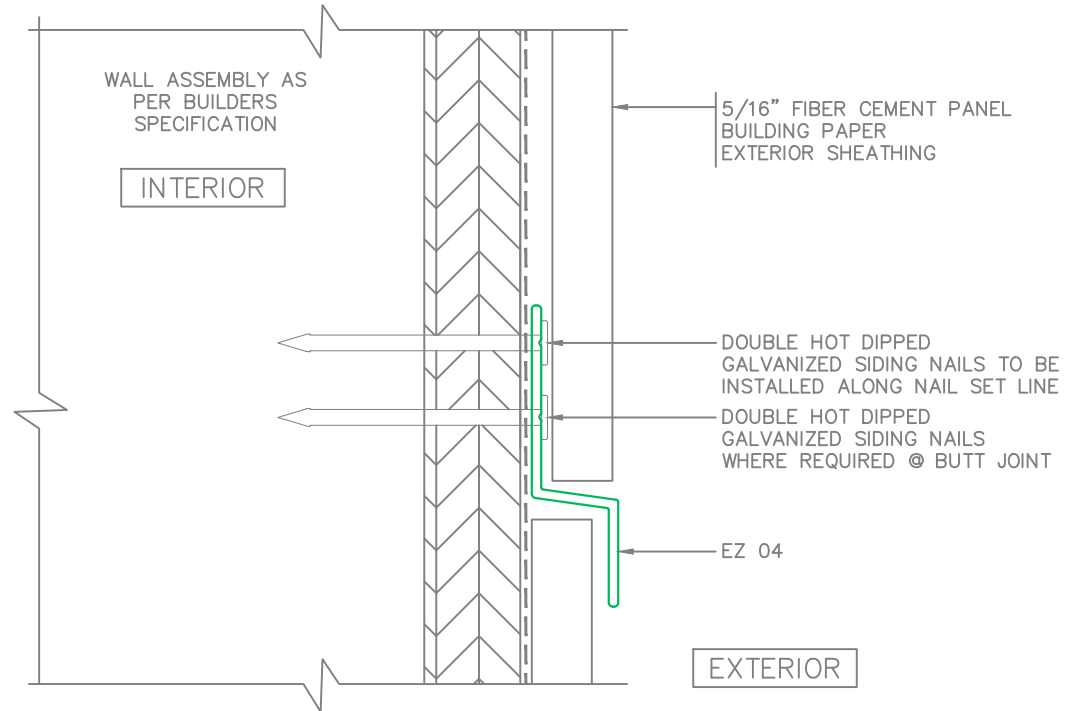
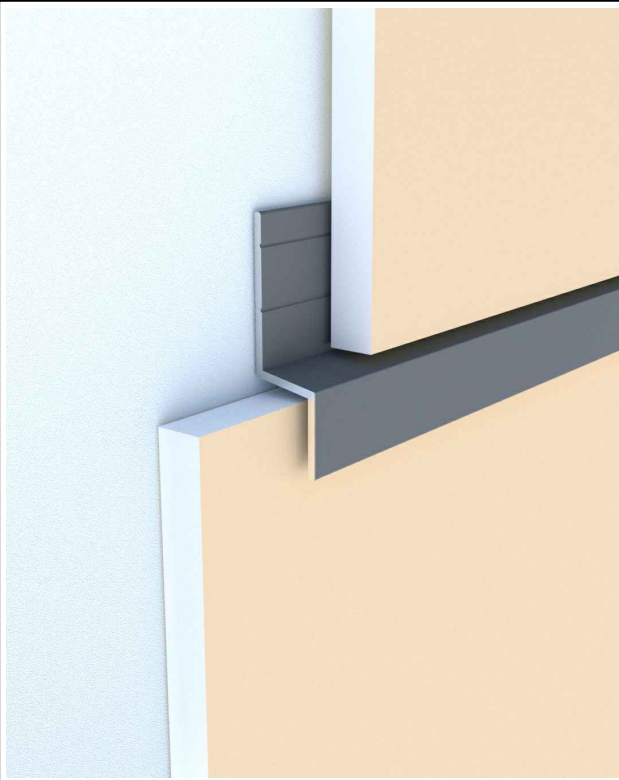





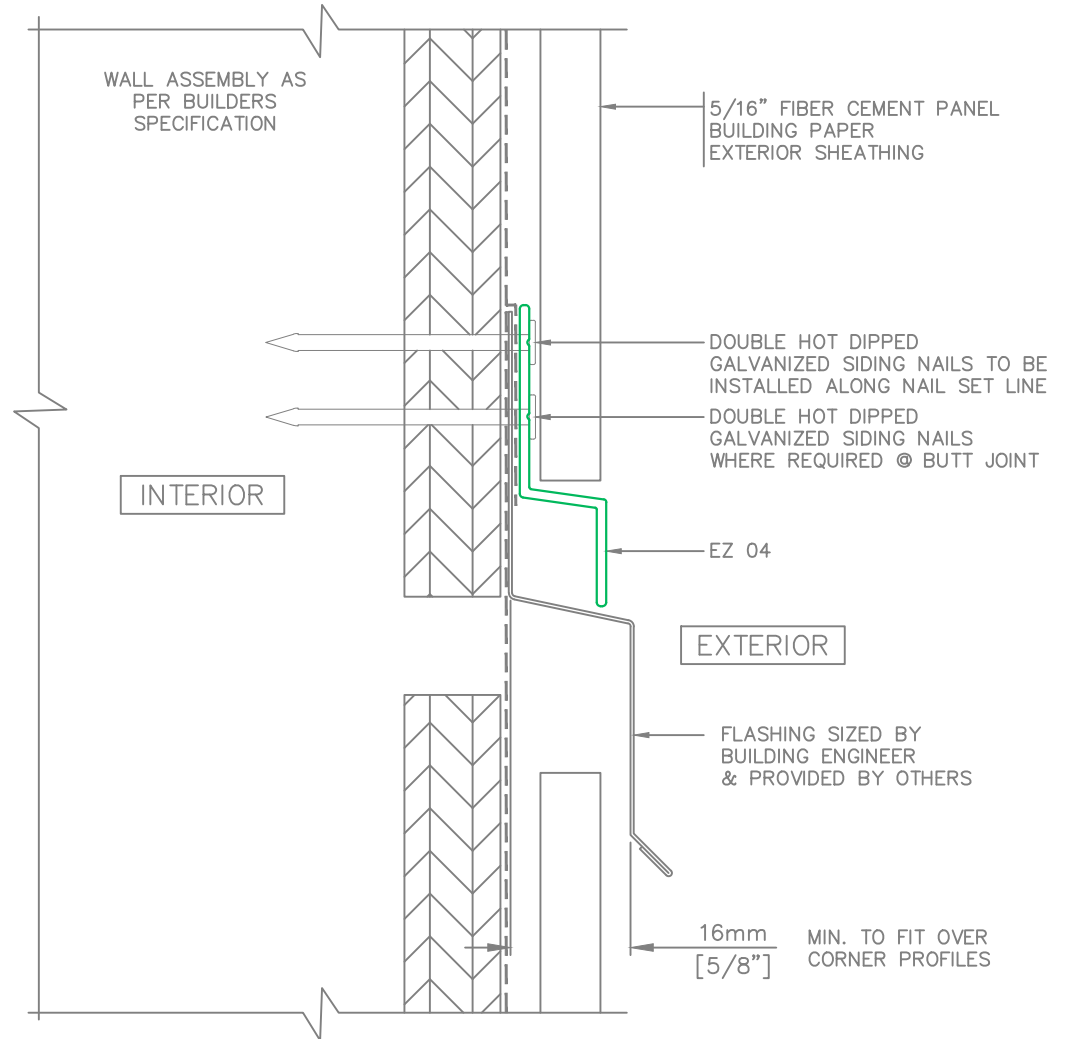
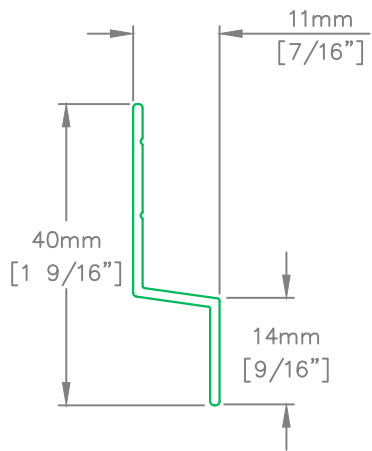
|   |         |         |                |
|---|---------|---------|----------------|
| DESCRIPTION   |         |         |                |
| EZ 03 INSIDE CORNER<br>5/16" TRIM   |         |         |                |
|  | SCALE   | NTS     | DRAWING NUMBER |
|   | DATE    | APR2024 | EZ3.1          |
|   | DRWN BY | HJ/DDG  |                |



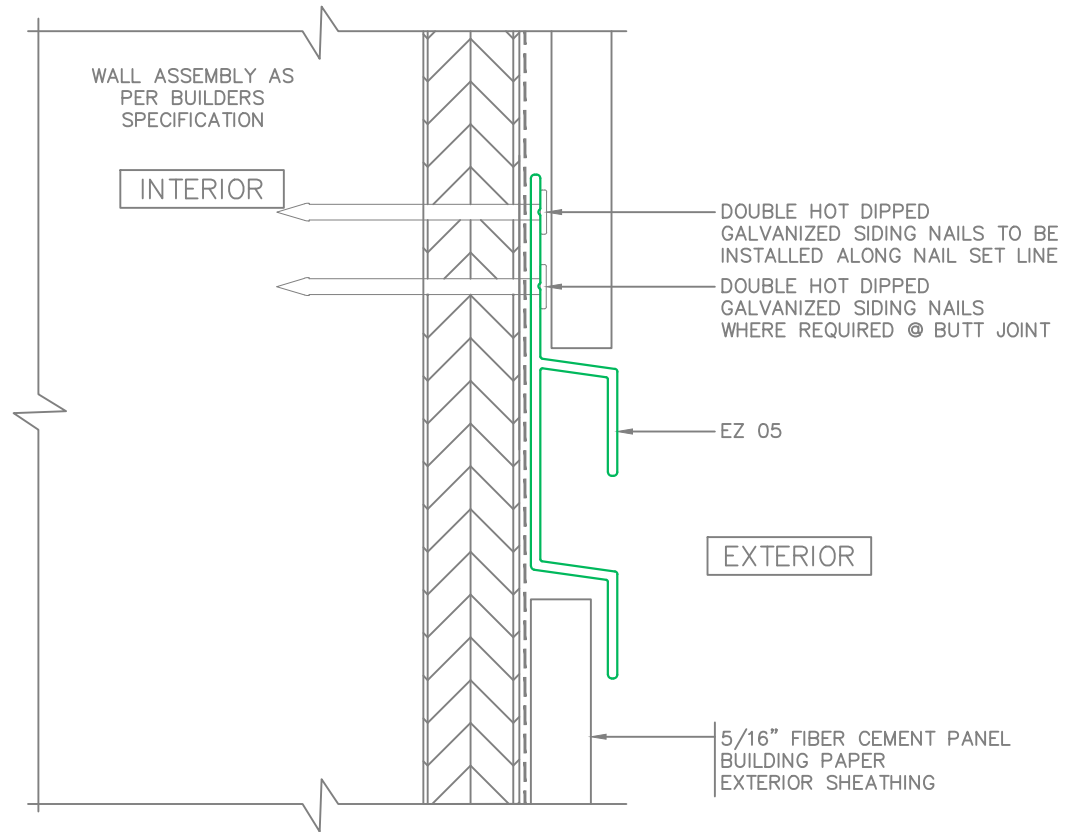
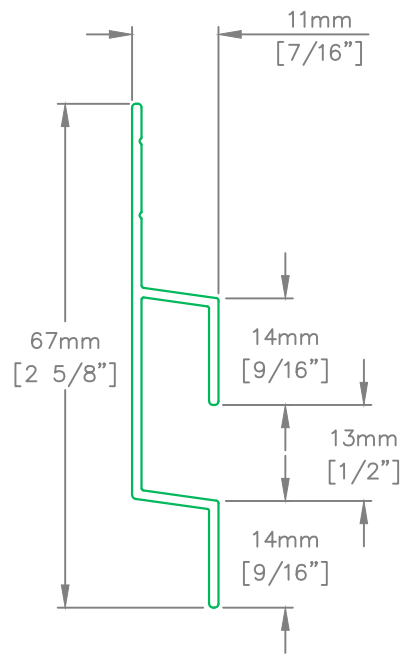
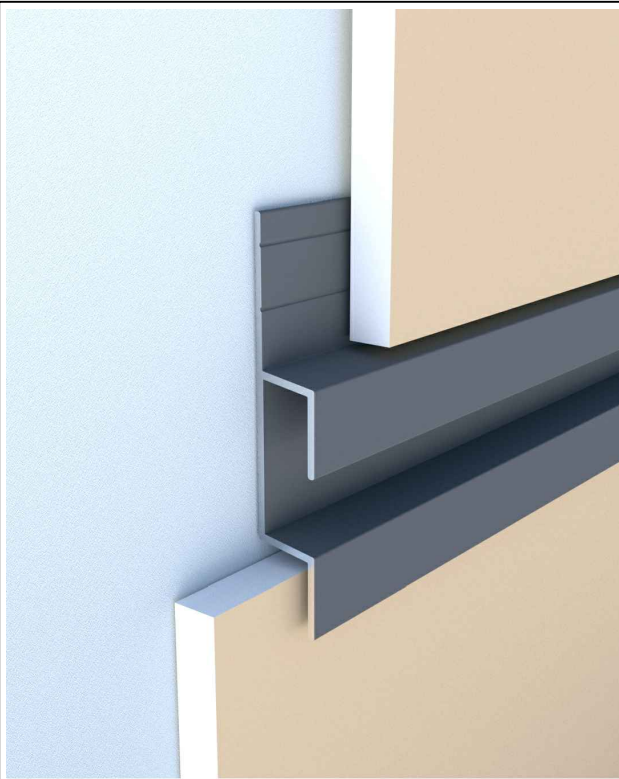
|   |         |         |                |
|---|---------|---------|----------------|
| DESCRIPTION   |         |         |                |
| EZ 04 HORIZONTAL Z STARTER<br>5/16" TRIM  |         |         |                |
|  | SCALE   | NTS     | DRAWING NUMBER |
|   | DATE    | APR2024 | EZ4.1          |
|   | DRWN BY | HJ/DDG  |                |




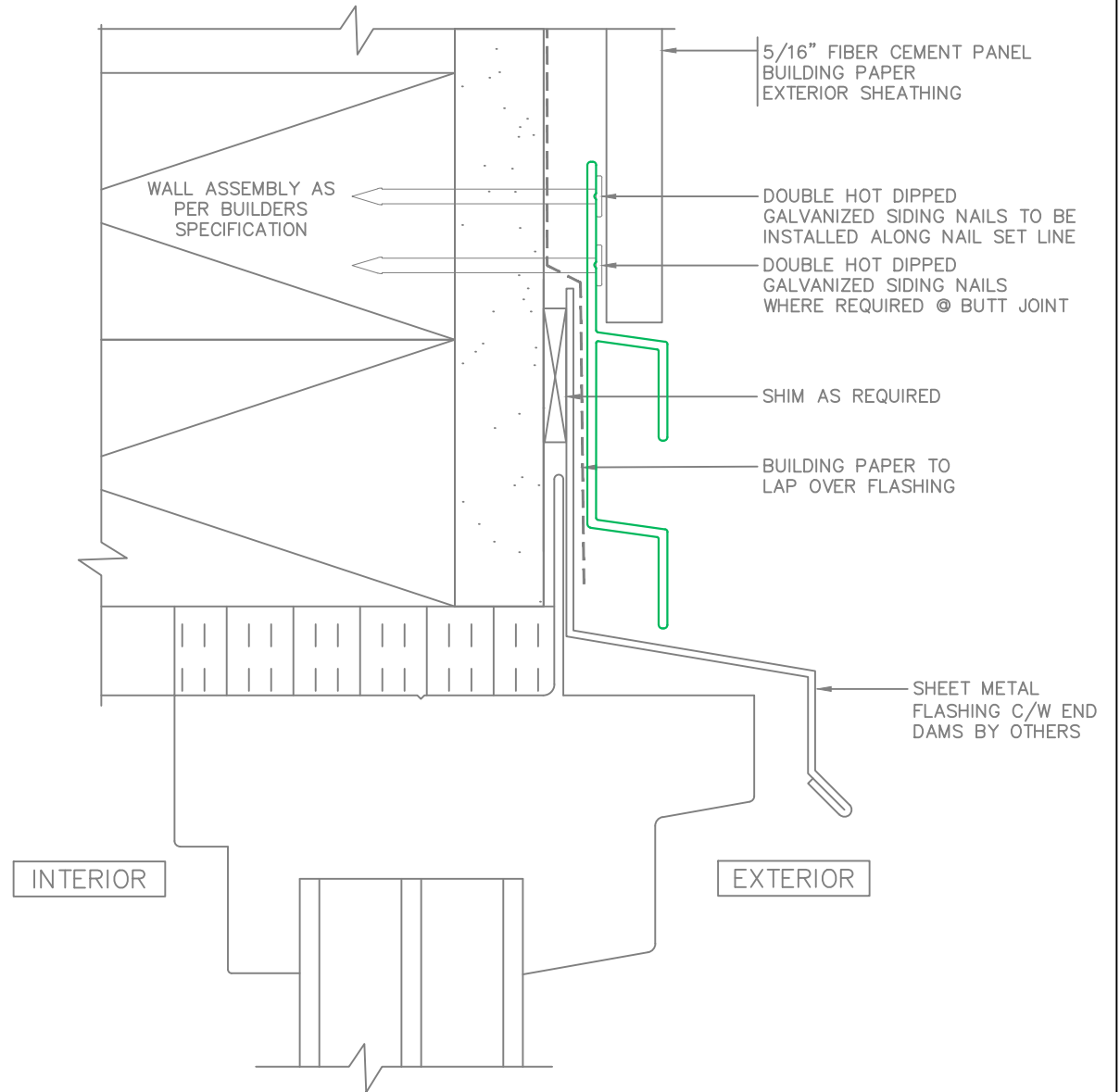
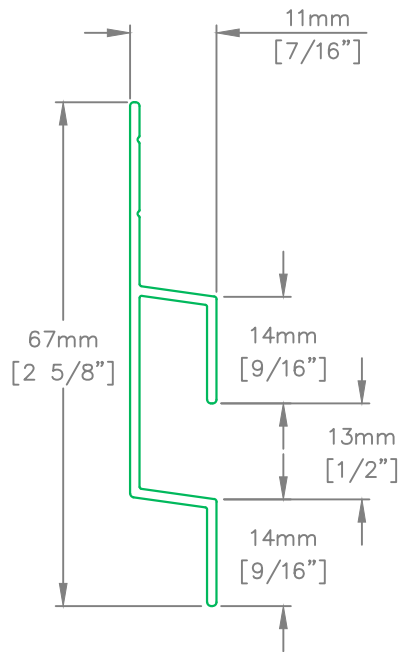
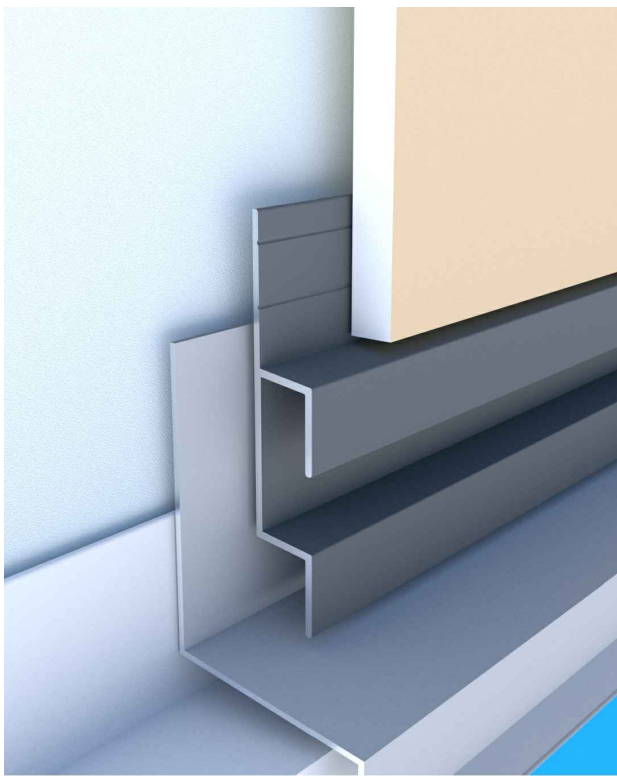
|   |         |         |                |
|---|---------|---------|----------------|
| DESCRIPTION   |         |         |                |
| EZ 04 HORIZONTAL Z INTERMEDIATE<br>5/16" TRIM   |         |         |                |
|  | SCALE   | NTS     | DRAWING NUMBER |
|   | DATE    | APR2024 | EZ4.2          |
|   | DRWN BY | HJ/DDG  |                |




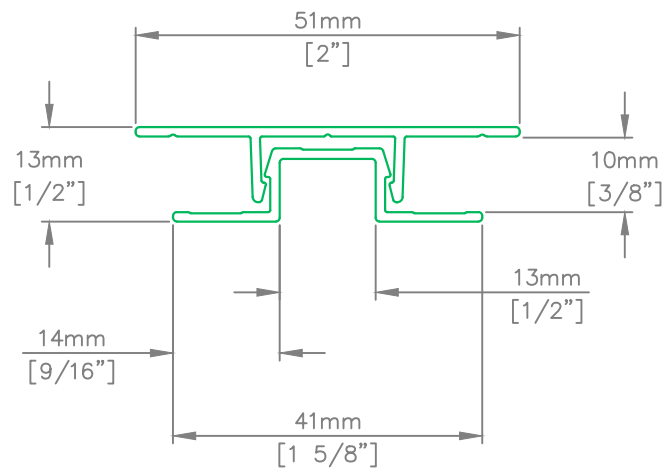
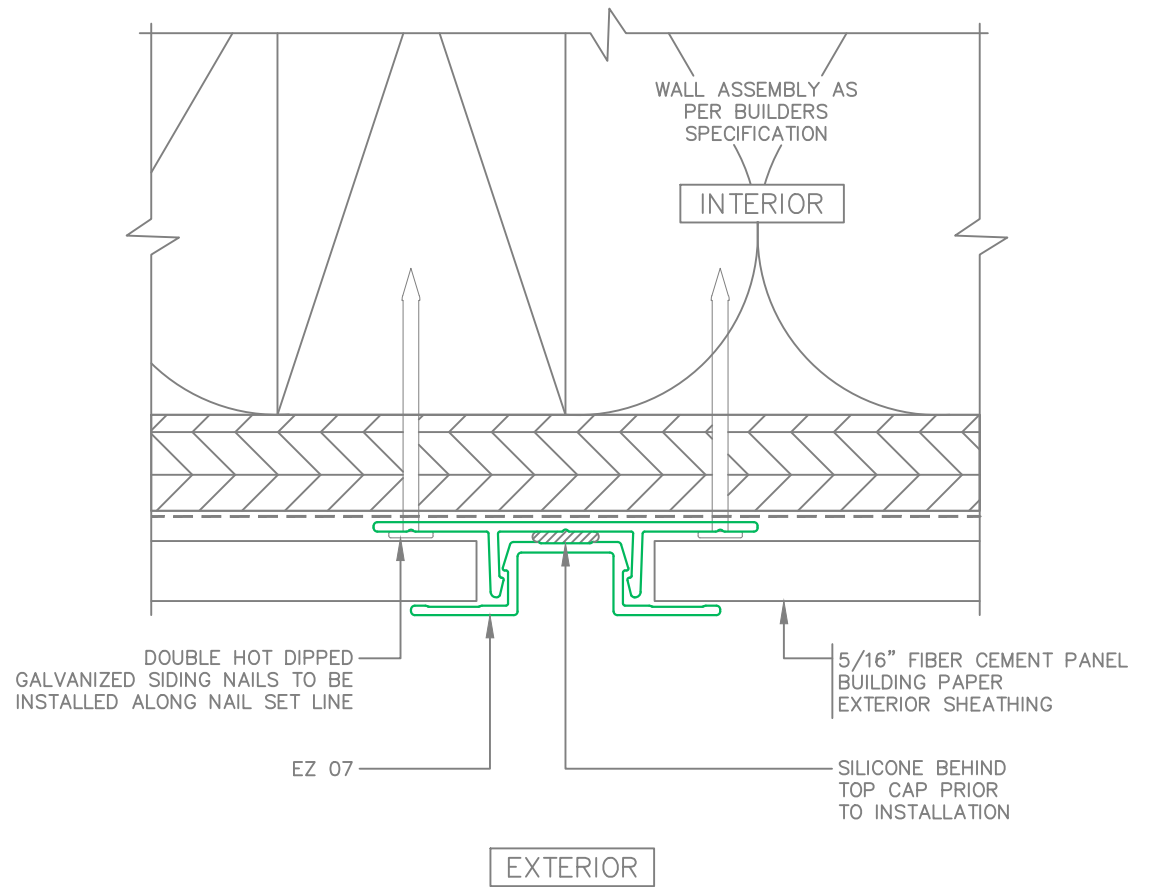
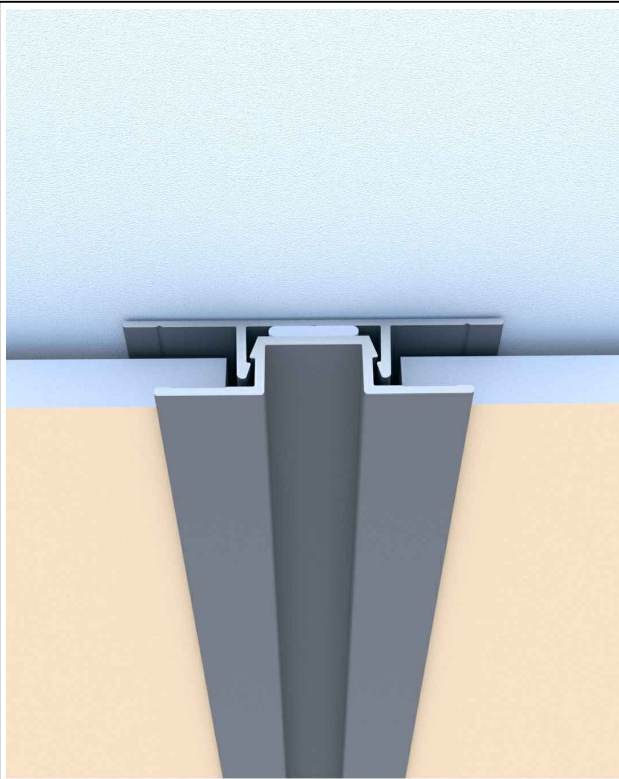
|  |         |         |                |
|--|---------|---------|----------------|
| DESCRIPTION                                      |         |         |                |
| EZ 04 @ SHRINKAGE ZONE<br>MULTI-STORY WOOD FRAME |         |         |                |
|  | SCALE   | NTS     | DRAWING NUMBER |
|  | DATE    | APR2024 | EZ4.3          |
|  | DRWN BY | HJ/DDG  |                |




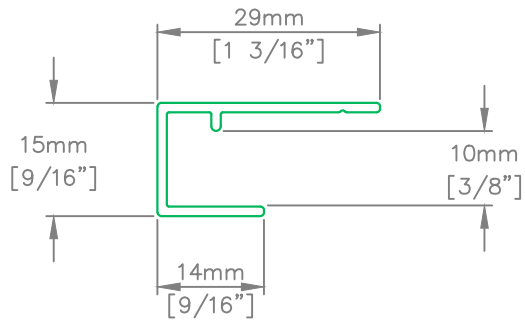
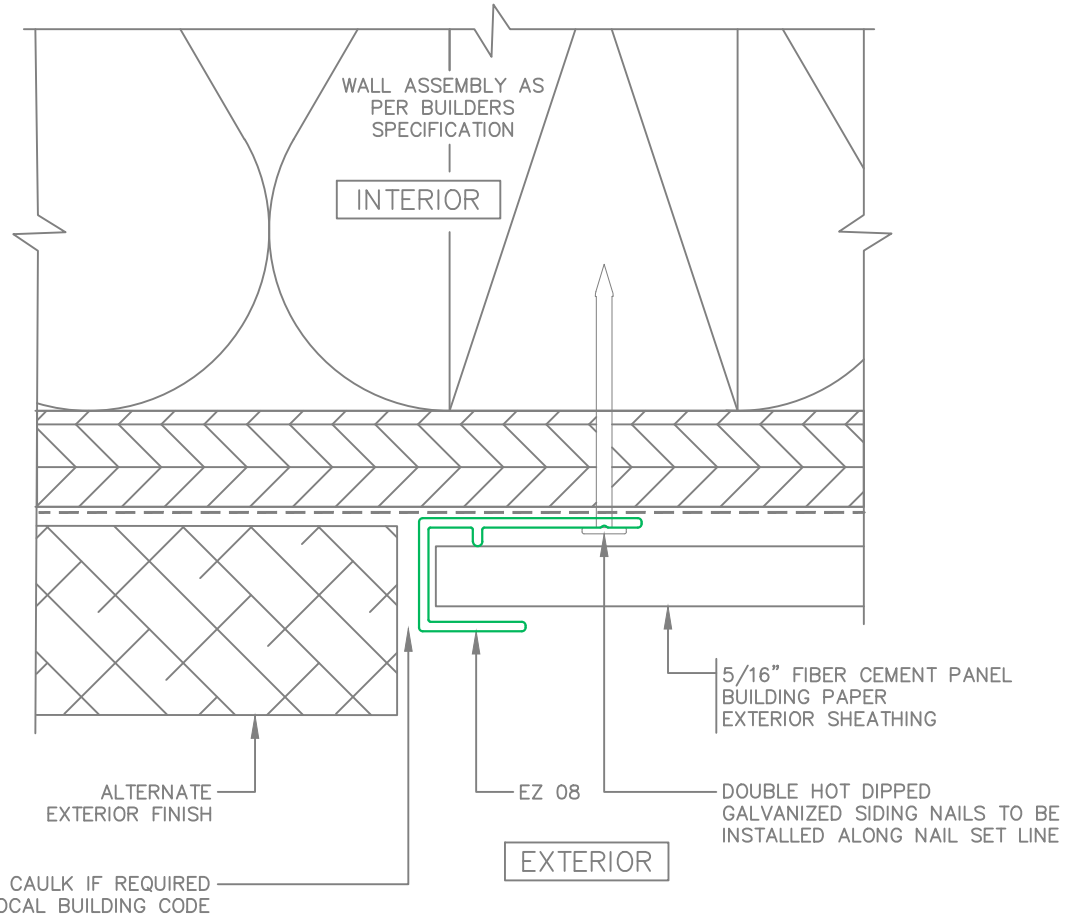
|   |         |         |                |
|---|---------|---------|----------------|
| DESCRIPTION   |         |         |                |
| EZ 05 HORIZONTAL H INTERMEDIATE<br>5/16" TRIM   |         |         |                |
|  | SCALE   | NTS     | DRAWING NUMBER |
|   | DATE    | APR2024 | EZ5.1          |
|   | DRWN BY | HJ/DDG  |                |




|   |         |         |                |
|---|---------|---------|----------------|
| DESCRIPTION   |         |         |                |
| EZ 05 HORIZONTAL H WINDOW HEAD<br>5/16" TRIM  |         |         |                |
|  | SCALE   | NTS     | DRAWING NUMBER |
|   | DATE    | APR2024 | EZ5.2          |
|   | DRWN BY | HJ/DDG  |                |

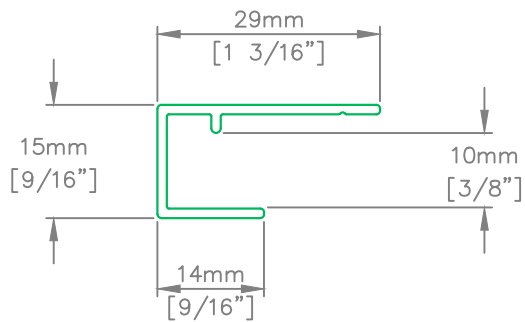
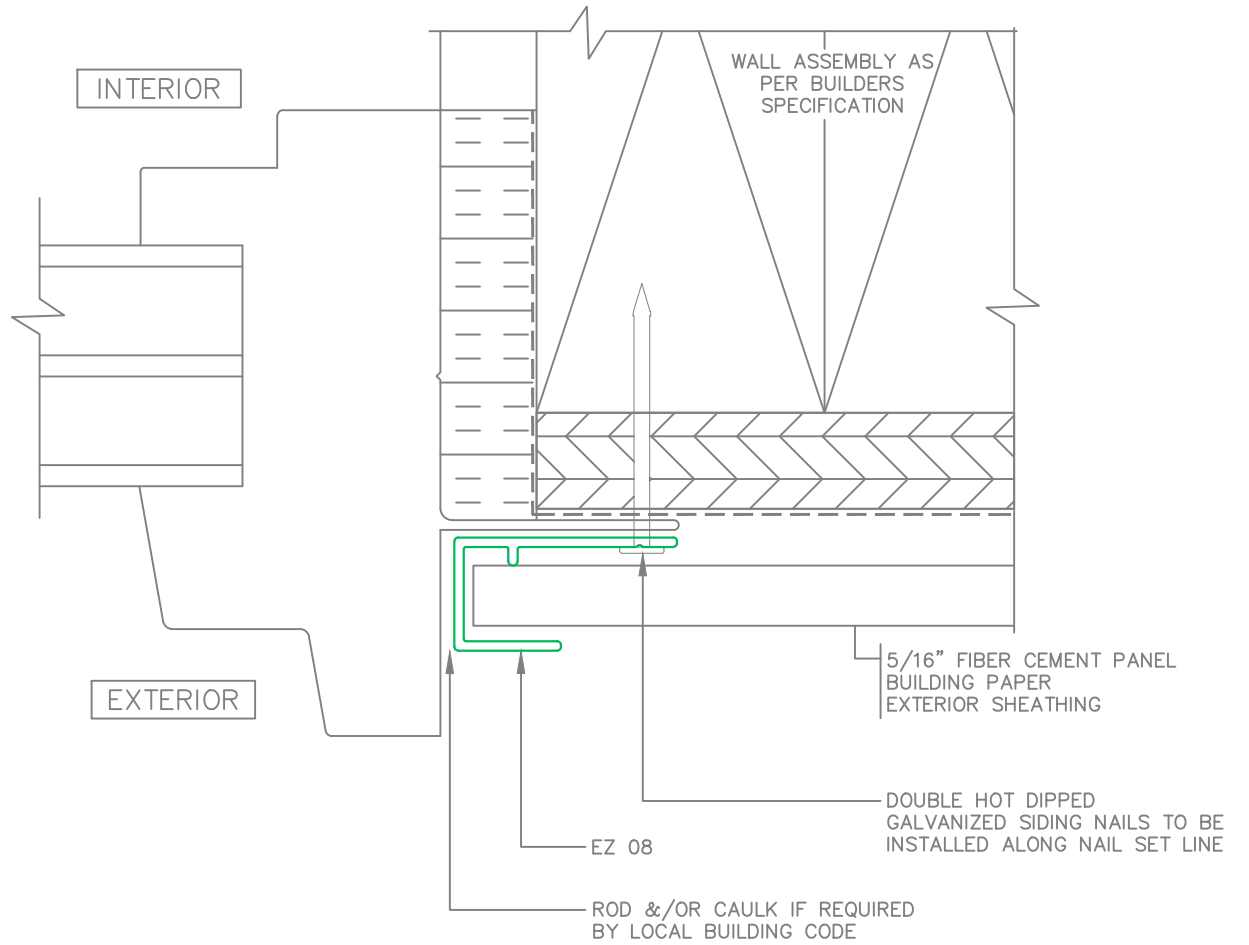



|   |         |         |                |
|---|---------|---------|----------------|
| DESCRIPTION   |         |         |                |
| EZ 07 2-PIECE VERTICAL U<br>5/16" TRIM  |         |         |                |
|  | SCALE   | NTS     | DRAWING NUMBER |
|   | DATE    | APR2024 | EZ7.1          |
|   | DRWN BY | HJ/DDG  |                |

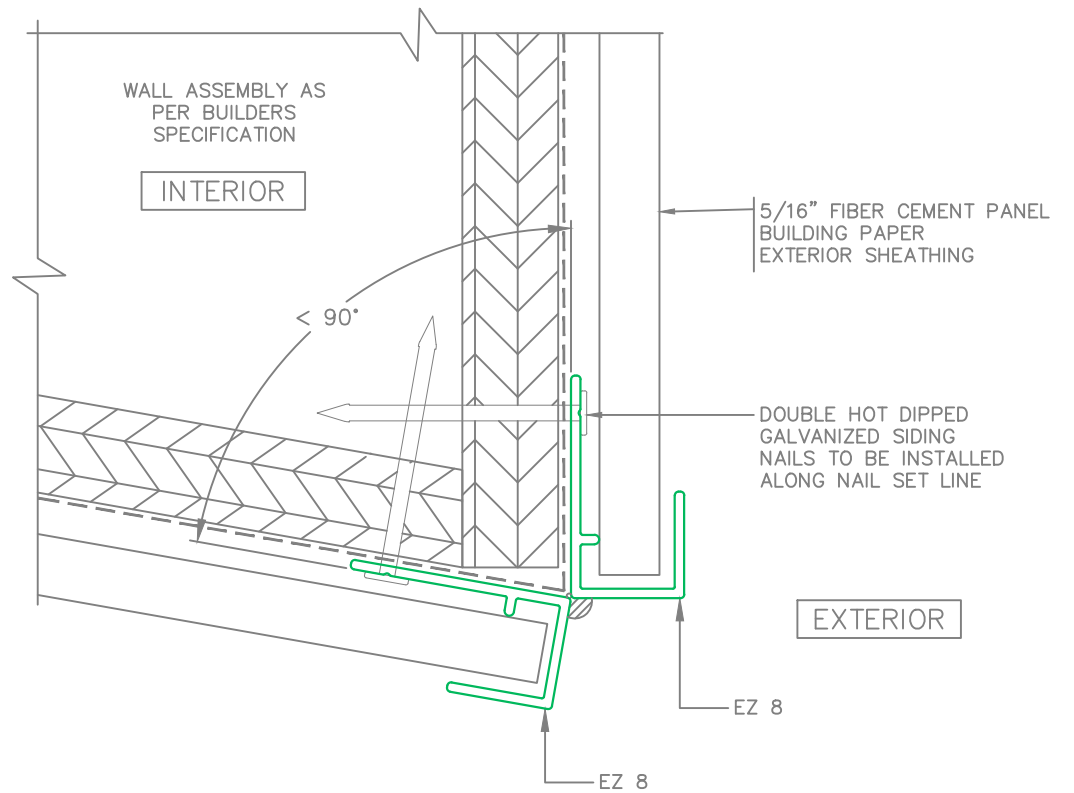
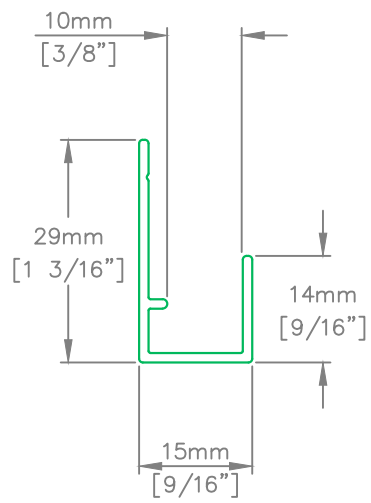
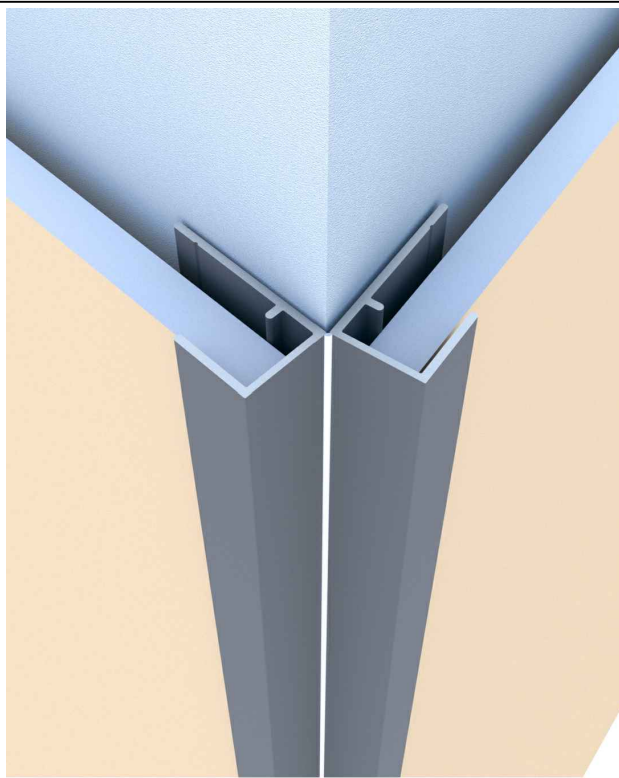



| DESCRIPTION   |         |         |                |
|---|---------|---------|----------------|
| EZ 08 GENERAL J VERTICAL TERMINATION<br>5/16" TRIM                                    |         |         |                |
|  | SCALE   | NTS     | DRAWING NUMBER |
|   | DATE    | APR2024 | EZ8.1          |
|   | DRWN BY | HJ/DDG  |                |

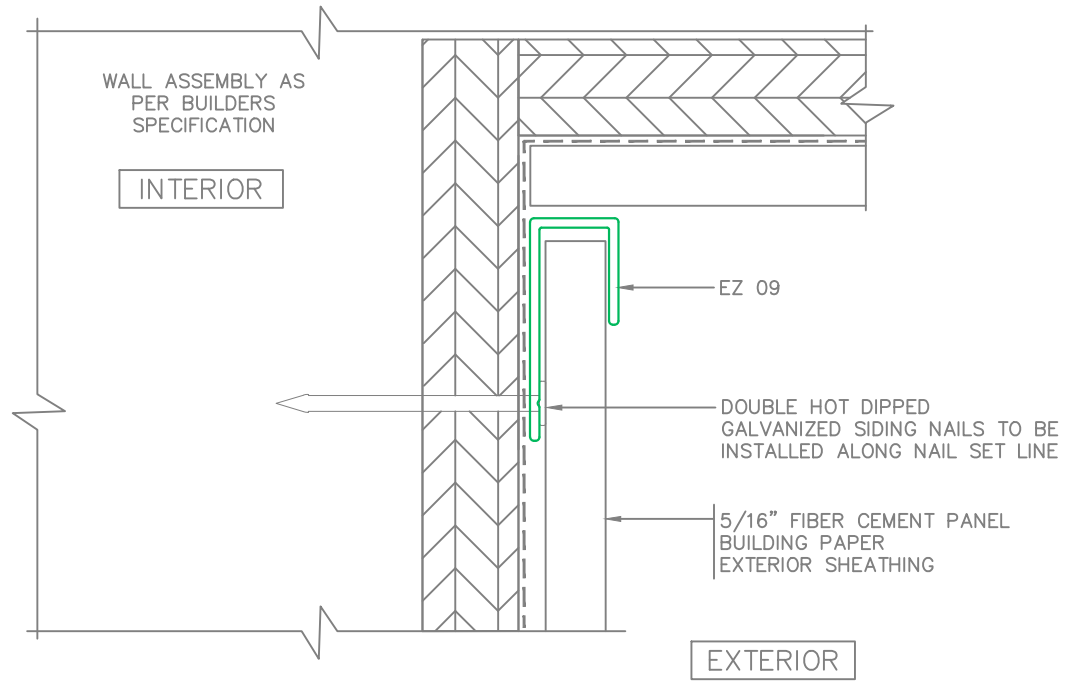
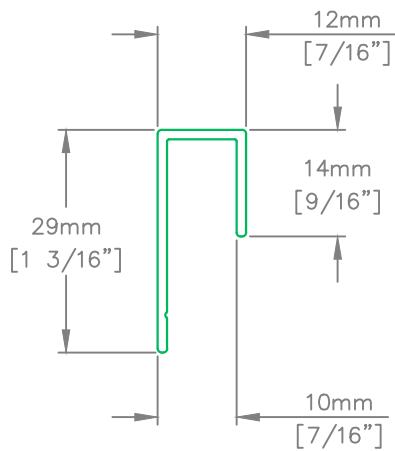





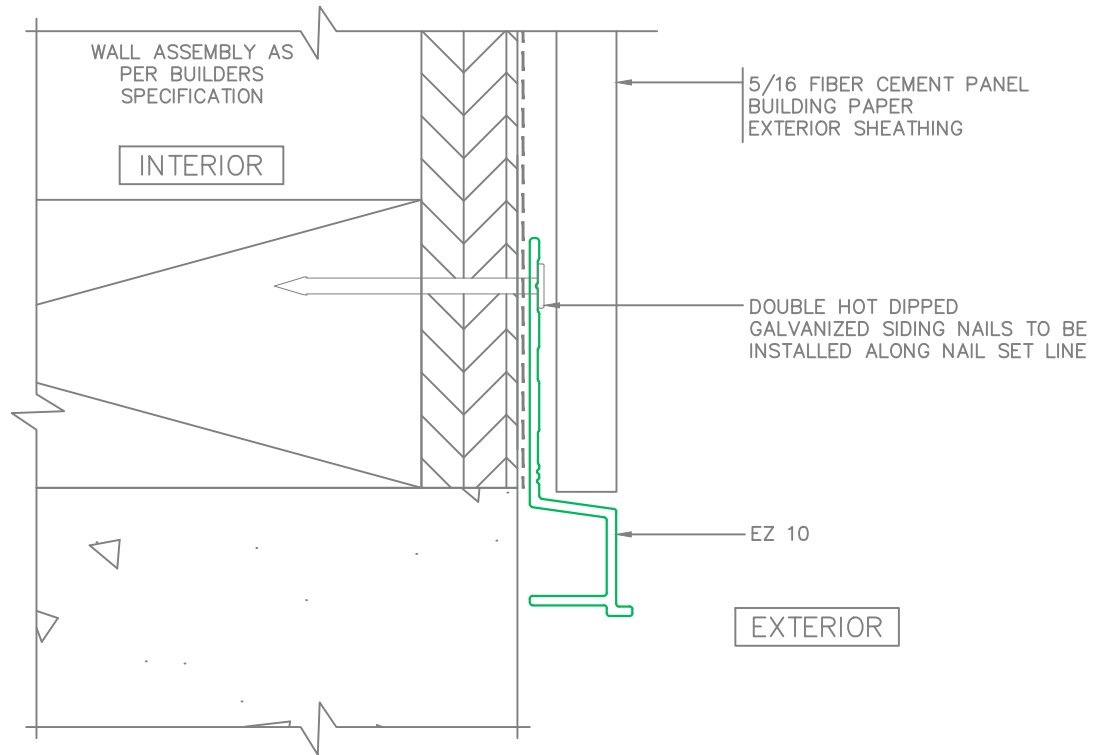
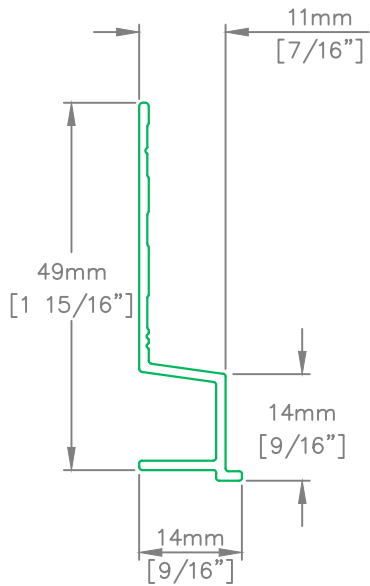
|   |         |         |                |
|---|---------|---------|----------------|
| DESCRIPTION   |         |         |                |
| EZ 08 GENERAL J WINDOW JAMB<br>5/16" TRIM   |         |         |                |
|  | SCALE   | NTS     | DRAWING NUMBER |
|   | DATE    | APR2024 | EZ8.2          |
|   | DRWN BY | HJ/DDG  |                |




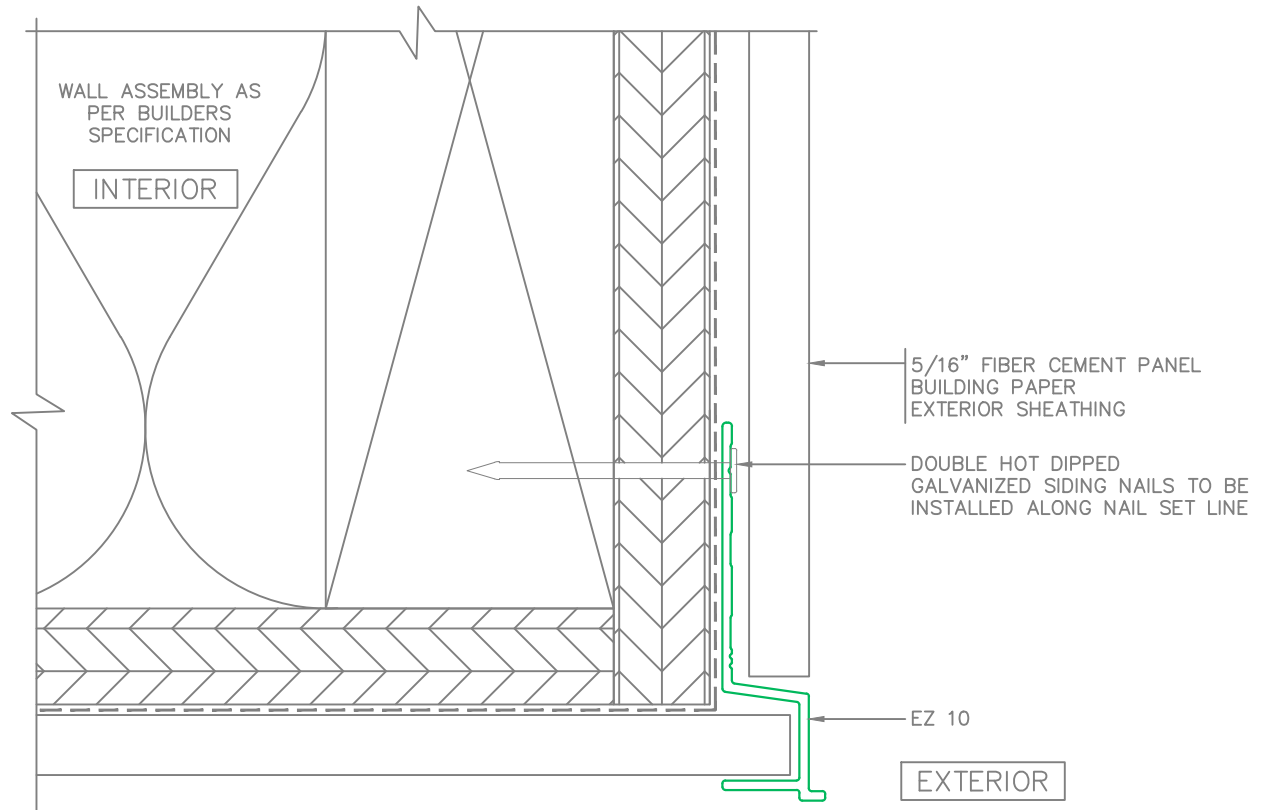
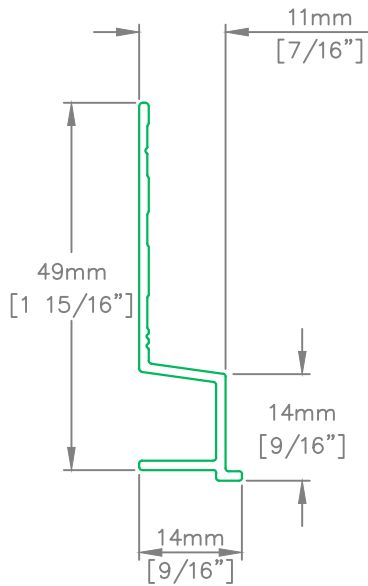
|   |         |         |                |
|---|---------|---------|----------------|
| DESCRIPTION   |         |         |                |
| EZ 08 SPECIAL MULTI-ANGLE ACUTE (< 90°) OUTSIDE CORNER 5/16" TRIM                     |         |         |                |
|  | SCALE   | NTS     | DRAWING NUMBER |
|   | DATE    | APR2024 | EZ8.3          |
|   | DRWN BY | HJ/DDG  |                |



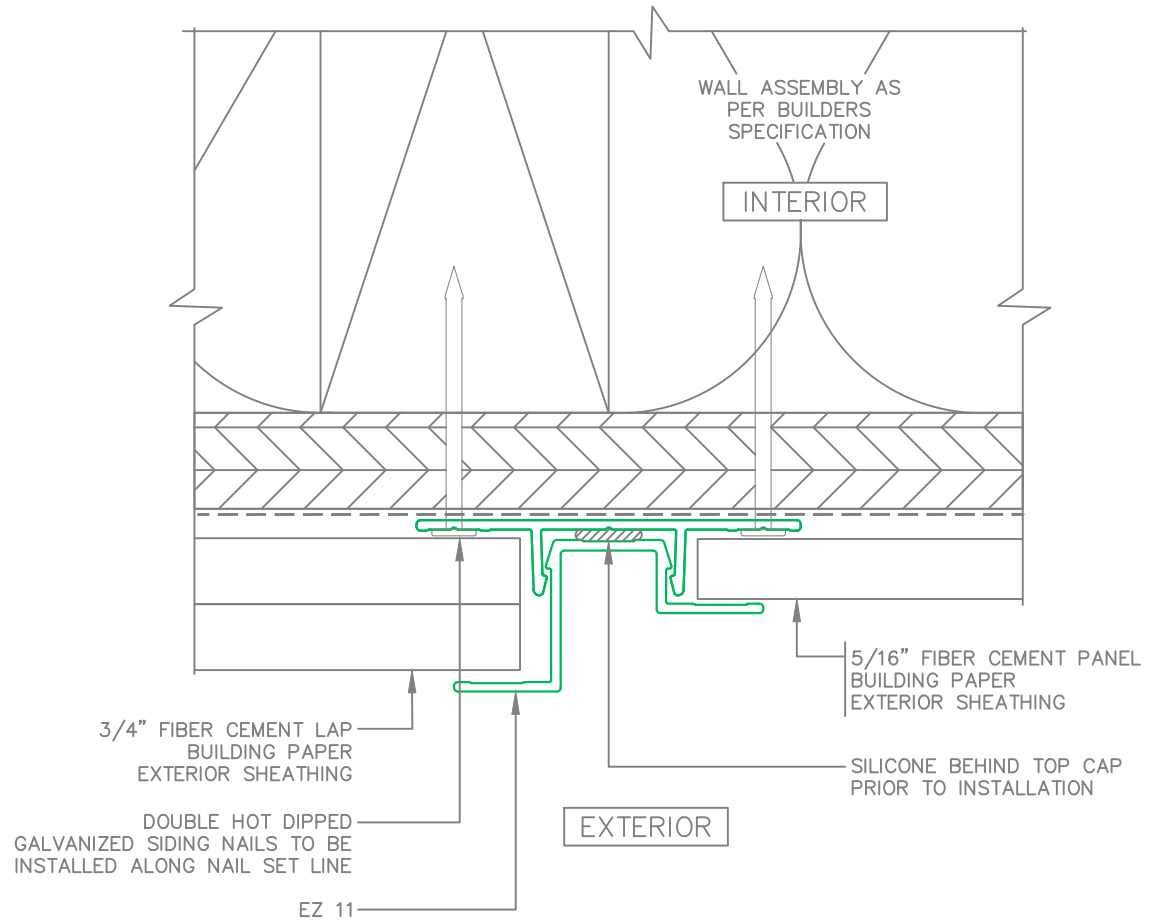
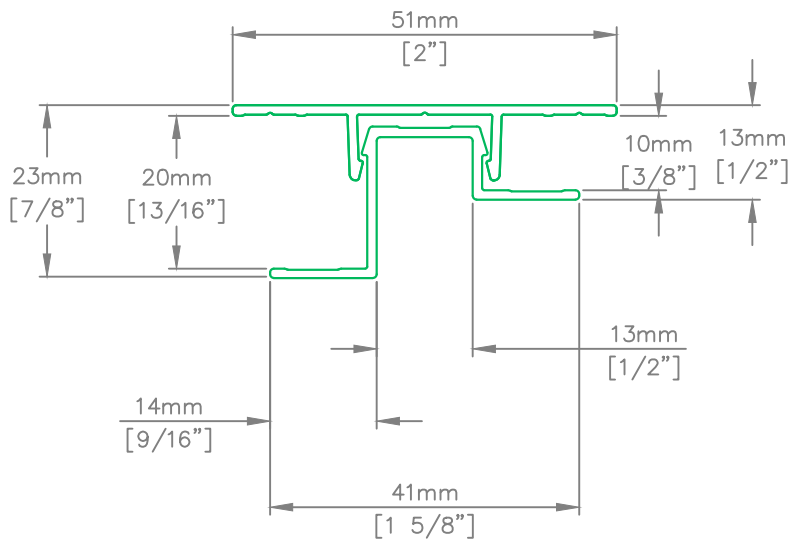
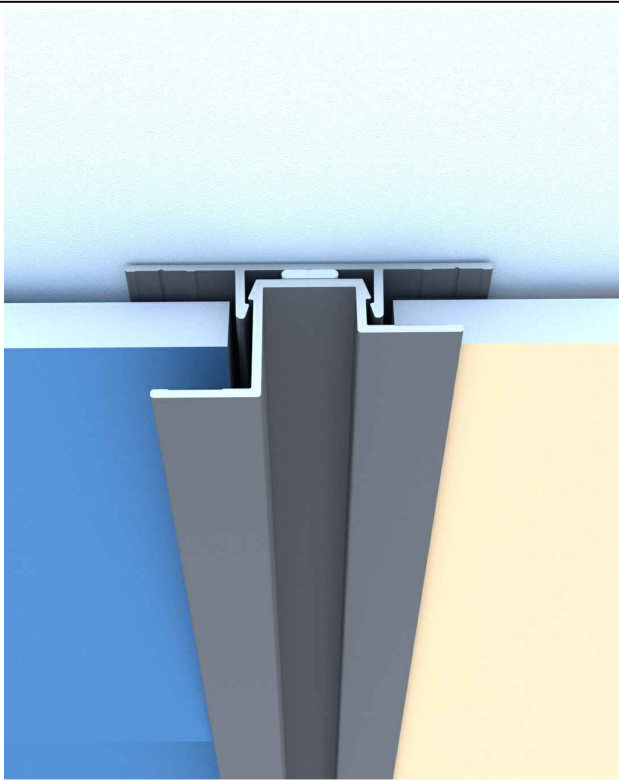
|   |         |         |                |
|---|---------|---------|----------------|
| DESCRIPTION   |         |         |                |
| EZ 09 SOFFIT J<br>5/16" TRIM  |         |         |                |
|  | SCALE   | NTS     | DRAWING NUMBER |
|   | DATE    | APR2024 | EZ9.1          |
|   | DRWN BY | HJ/DDG  |                |




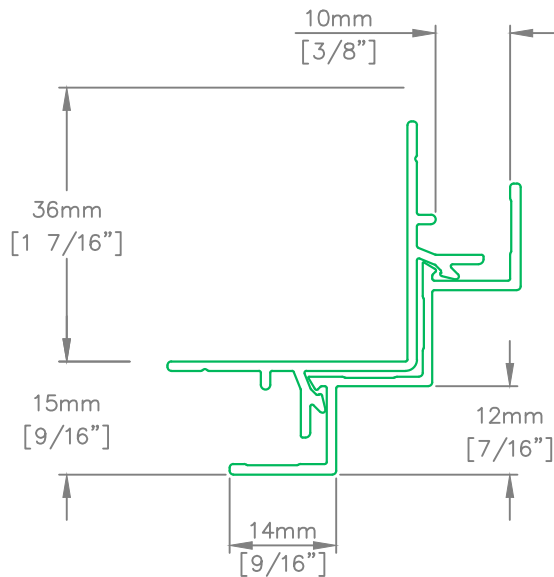
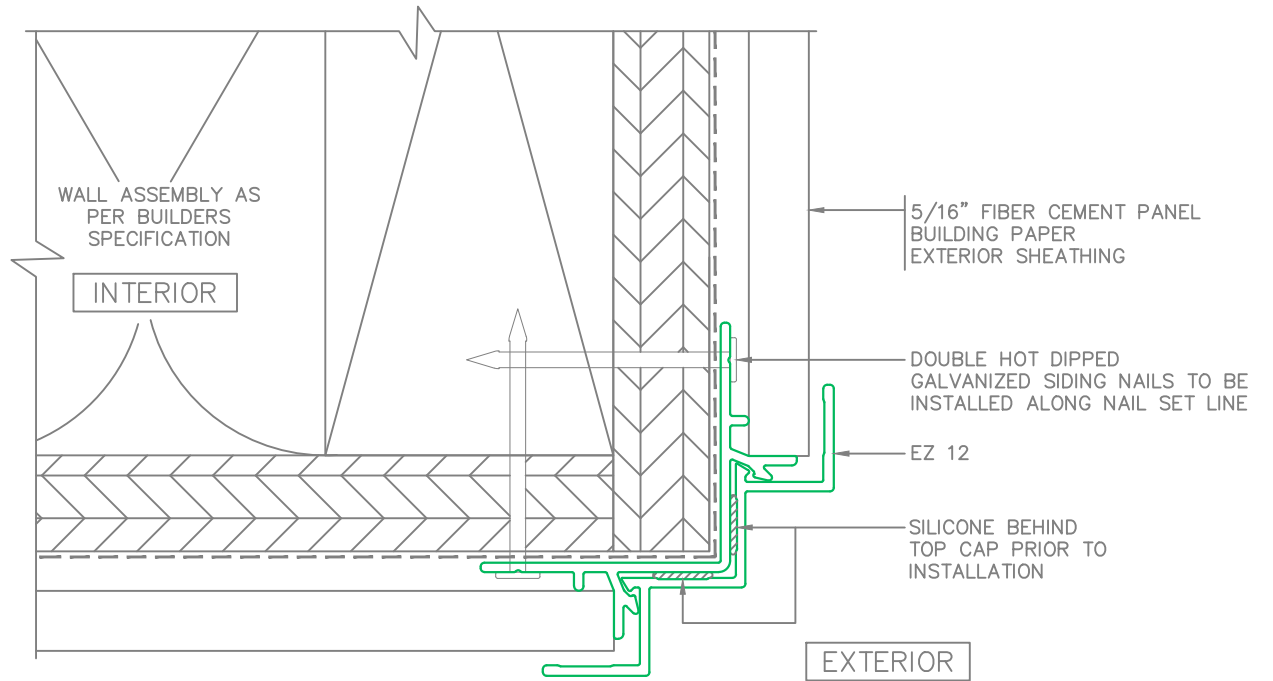
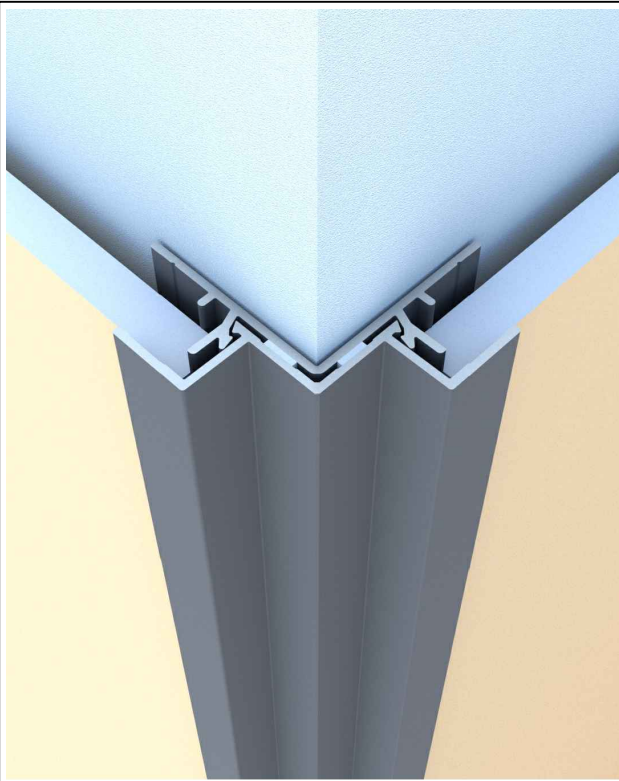
|   |         |         |                |
|---|---------|---------|----------------|
| DESCRIPTION   |         |         |                |
| EZ 10 HORIZONTAL BASE B STARTER<br>5/16" TRIM   |         |         |                |
|  | SCALE   | NTS     | DRAWING NUMBER |
|   | DATE    | APR2024 | EZ10.1         |
|   | DRWN BY | HJ/DDG  |                |




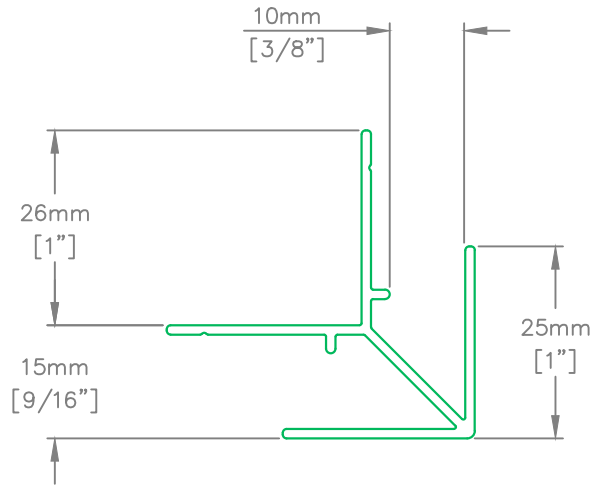
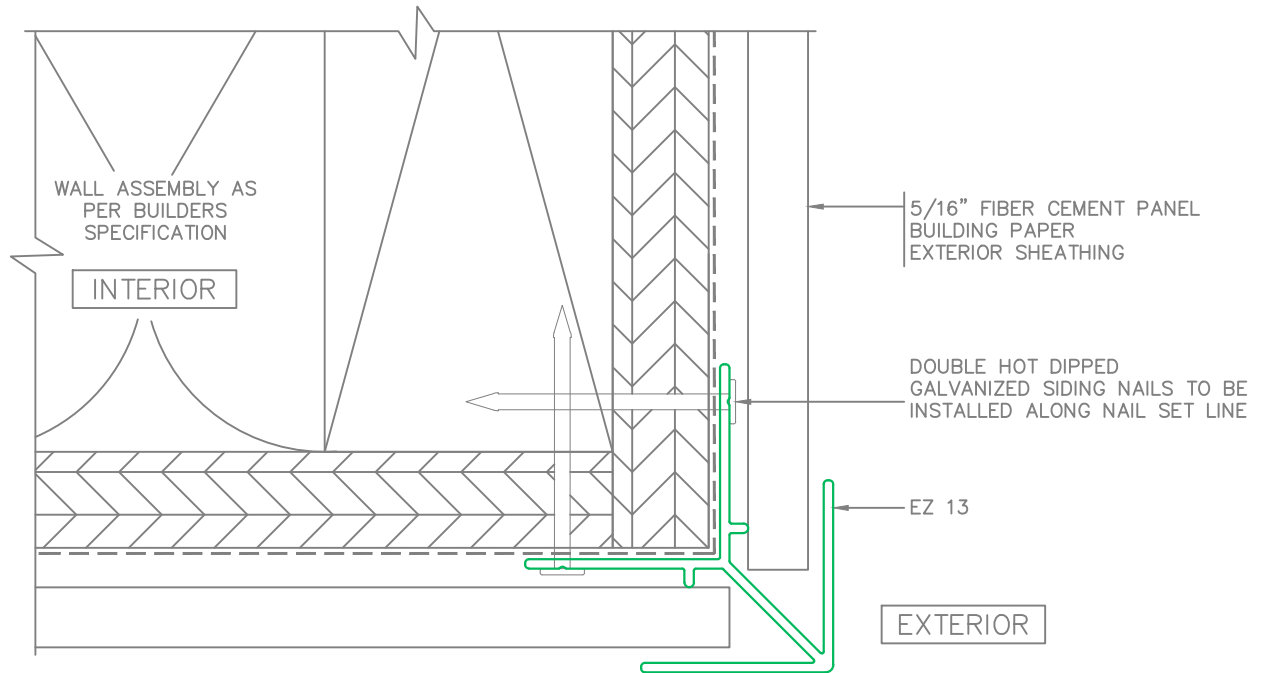
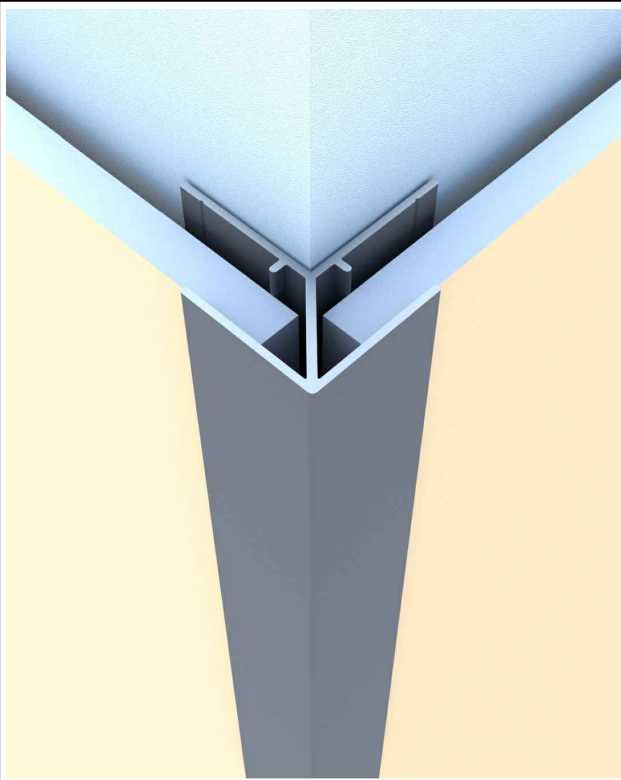
|  |         |         |                |
|--|---------|---------|----------------|
| DESCRIPTION  |         |         |                |
| EZ 10 HORIZONTAL BASE B SOFFIT & FASCIA 5/16" TRIM |         |         |                |
|  | SCALE   | NTS     | DRAWING NUMBER |
|  | DATE    | APR2024 | EZ10.2         |
|  | DRWN BY | HJ/DDG  |                |




| DESCRIPTION   |         |         |                |
|---|---------|---------|----------------|
| EZ 11 2-PIECE VERTICAL U<br>5/16" TO 3/4" TRANSITION TRIM                             |         |         |                |
|  | SCALE   | NTS     | DRAWING NUMBER |
|   | DATE    | APR2024 | EZ11.1         |
|   | DRWN BY | HJ/DDG  |                |

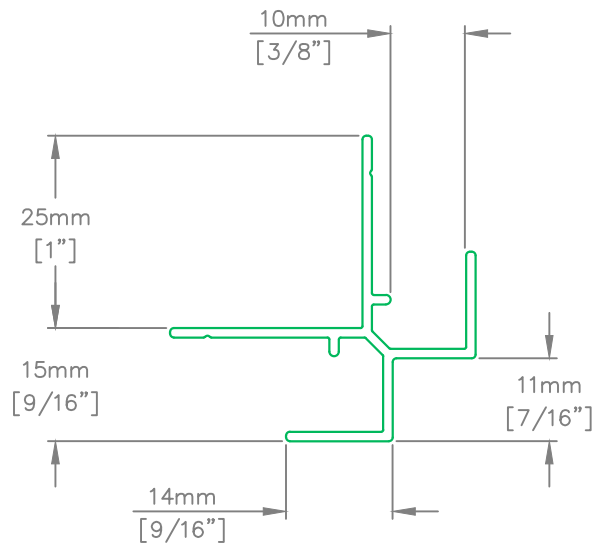
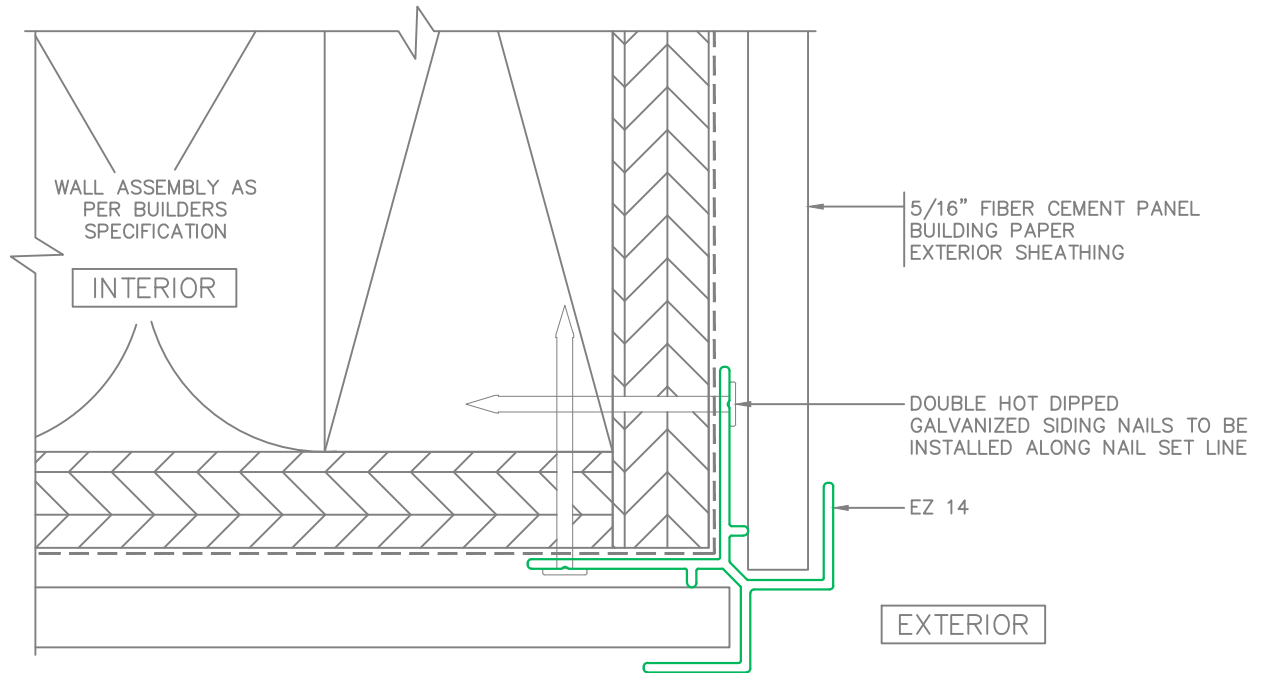
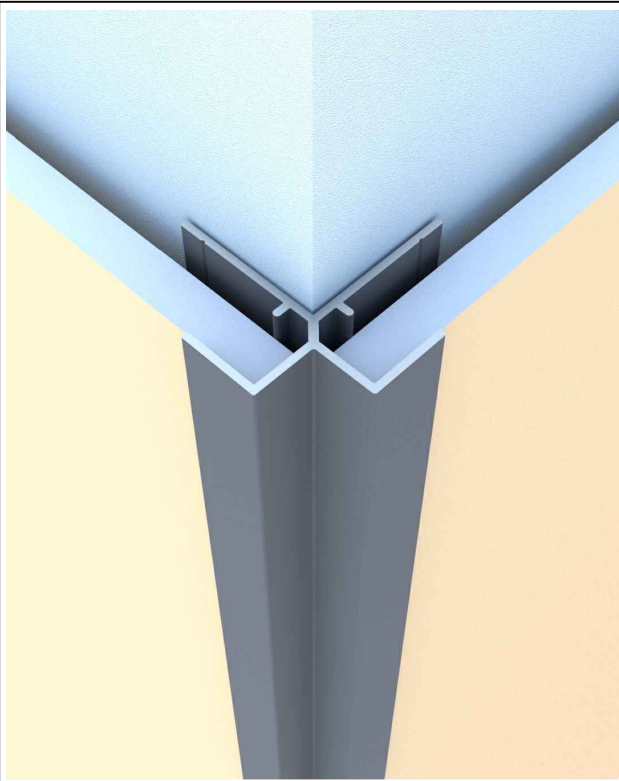



|   |         |         |                |
|---|---------|---------|----------------|
| DESCRIPTION   |         |         |                |
| EZ 12 2-PIECE SQUARE OUTSIDE CORNER 5/16" TRIM  |         |         |                |
|  | SCALE   | NTS     | DRAWING NUMBER |
|   | DATE    | APR2024 | EZ12.1         |
|   | DRWN BY | HJ/DDG  |                |

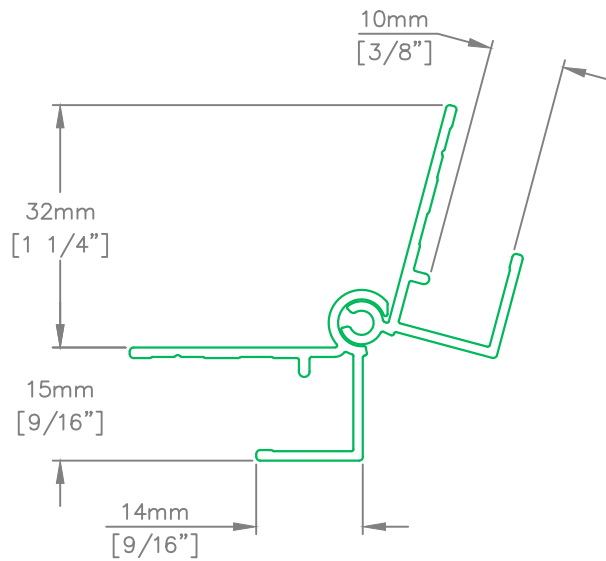
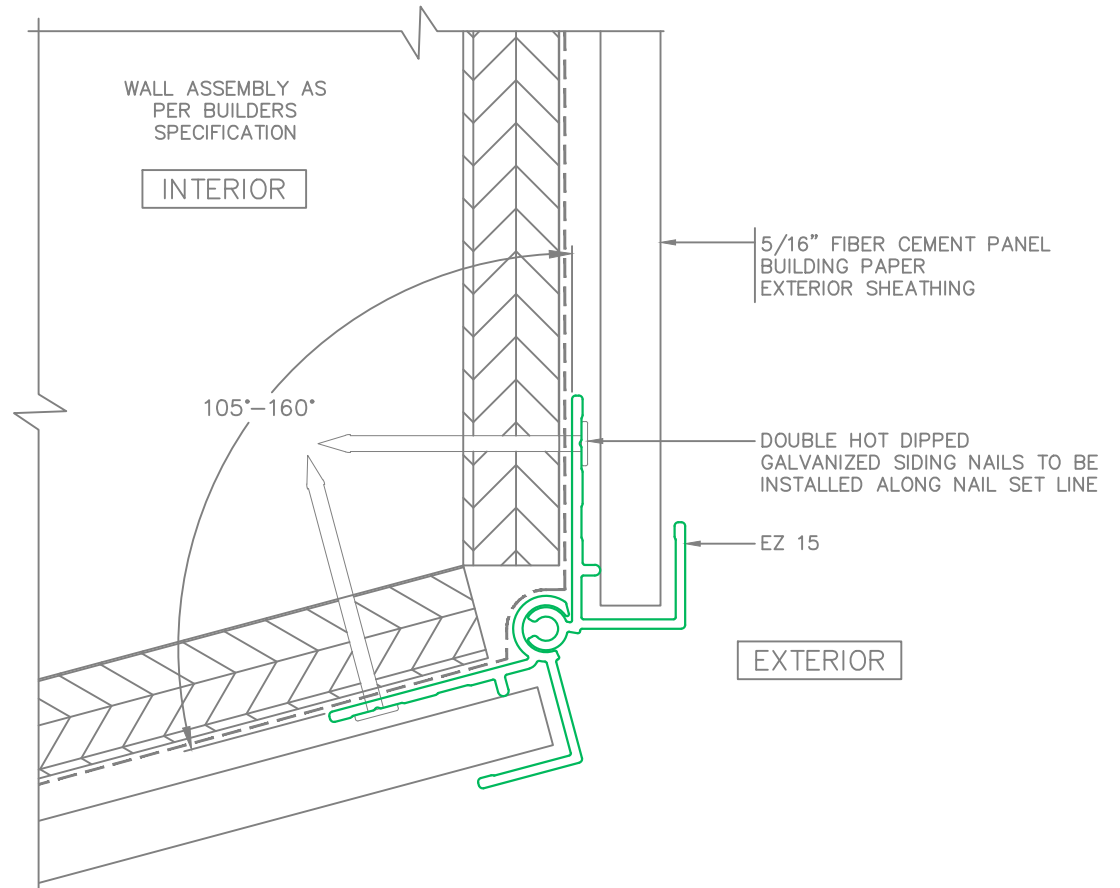
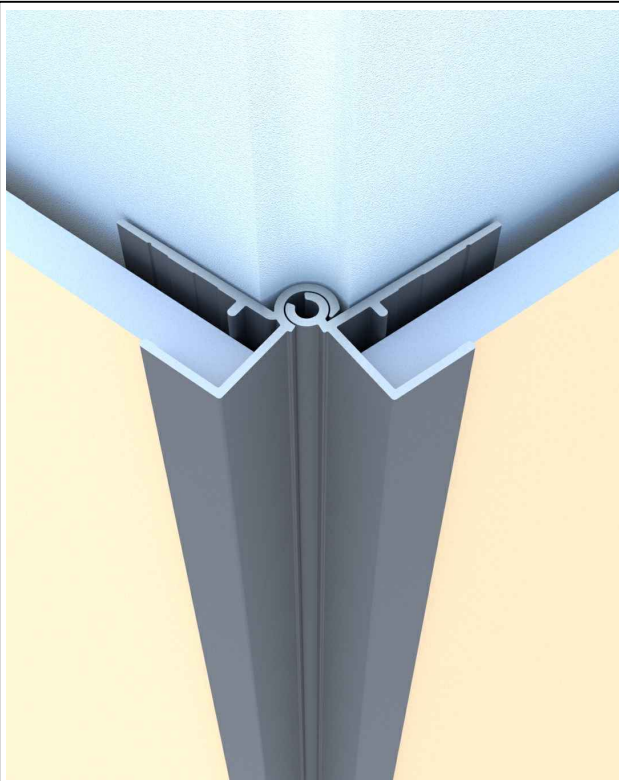



|   |         |         |                |
|---|---------|---------|----------------|
| DESCRIPTION   |         |         |                |
| EZ 13 ARROW OUTSIDE CORNER<br>5/16" TRIM  |         |         |                |
|  | SCALE   | NTS     | DRAWING NUMBER |
|   | DATE    | APR2024 | EZ13.1         |
|   | DRWN BY | HJ/DDG  |                |

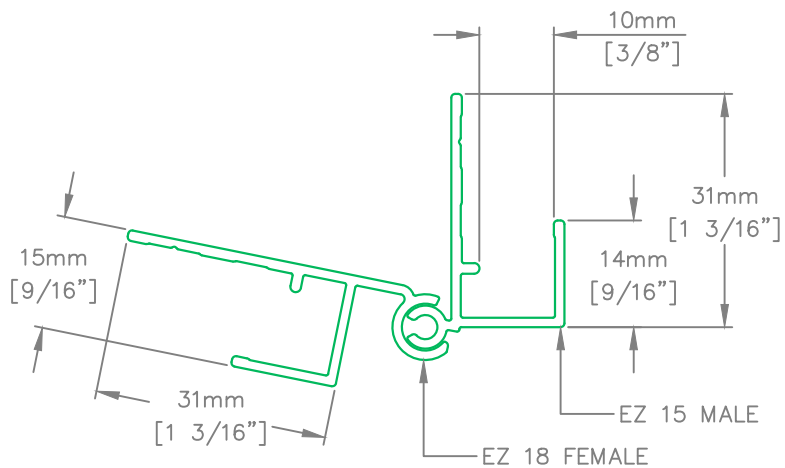
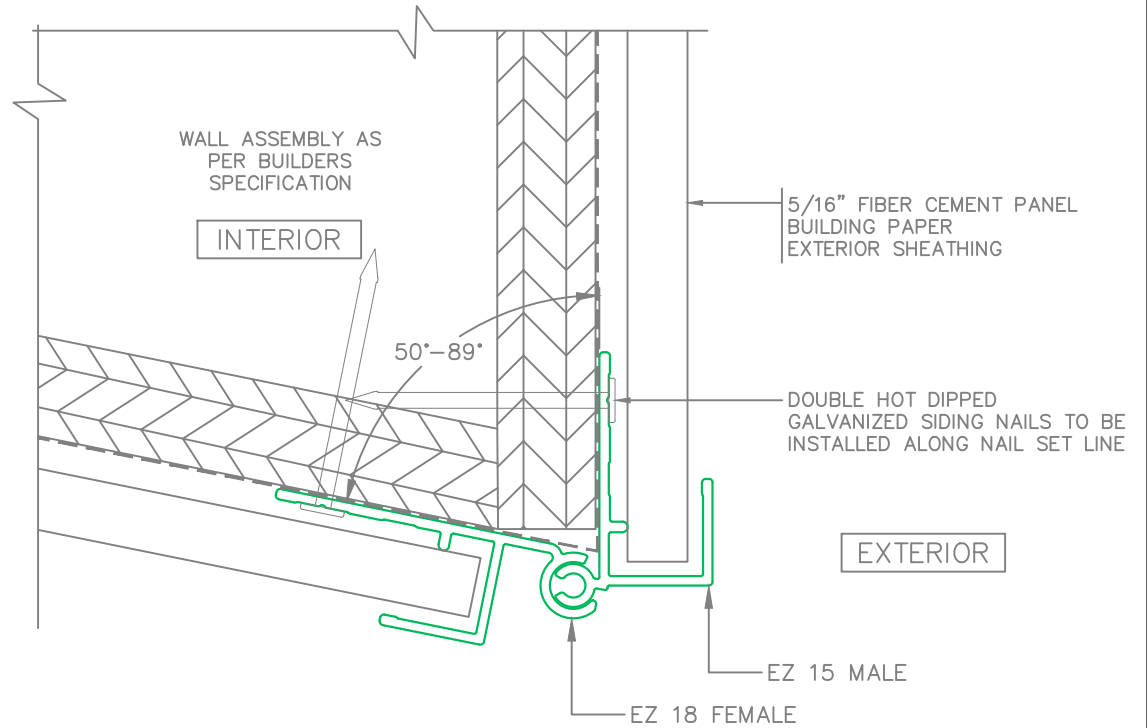
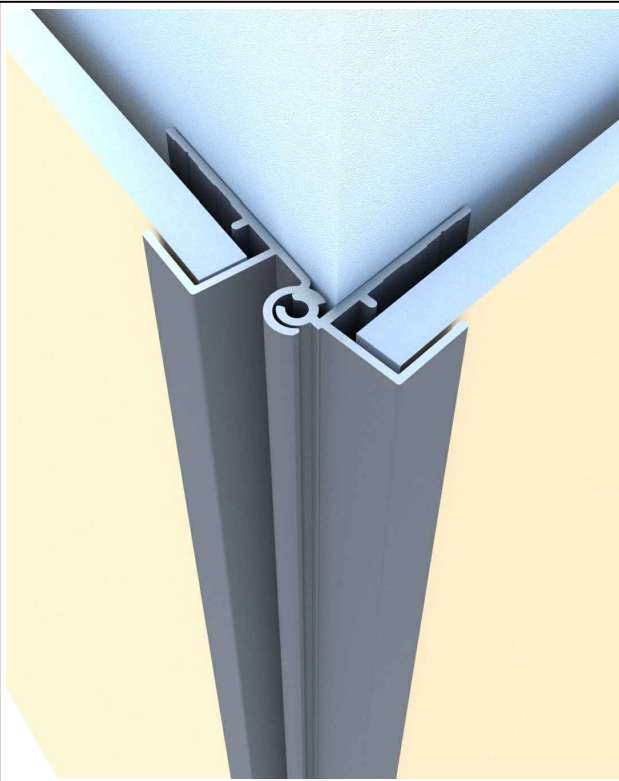




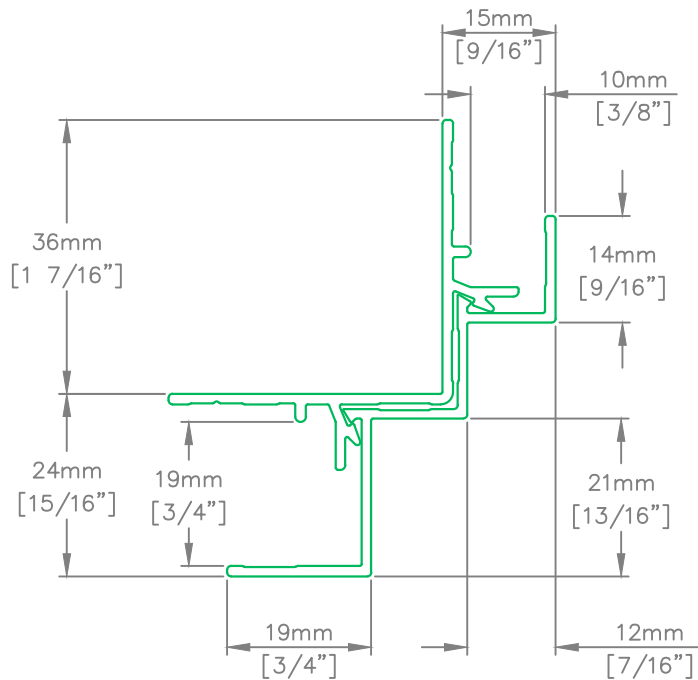
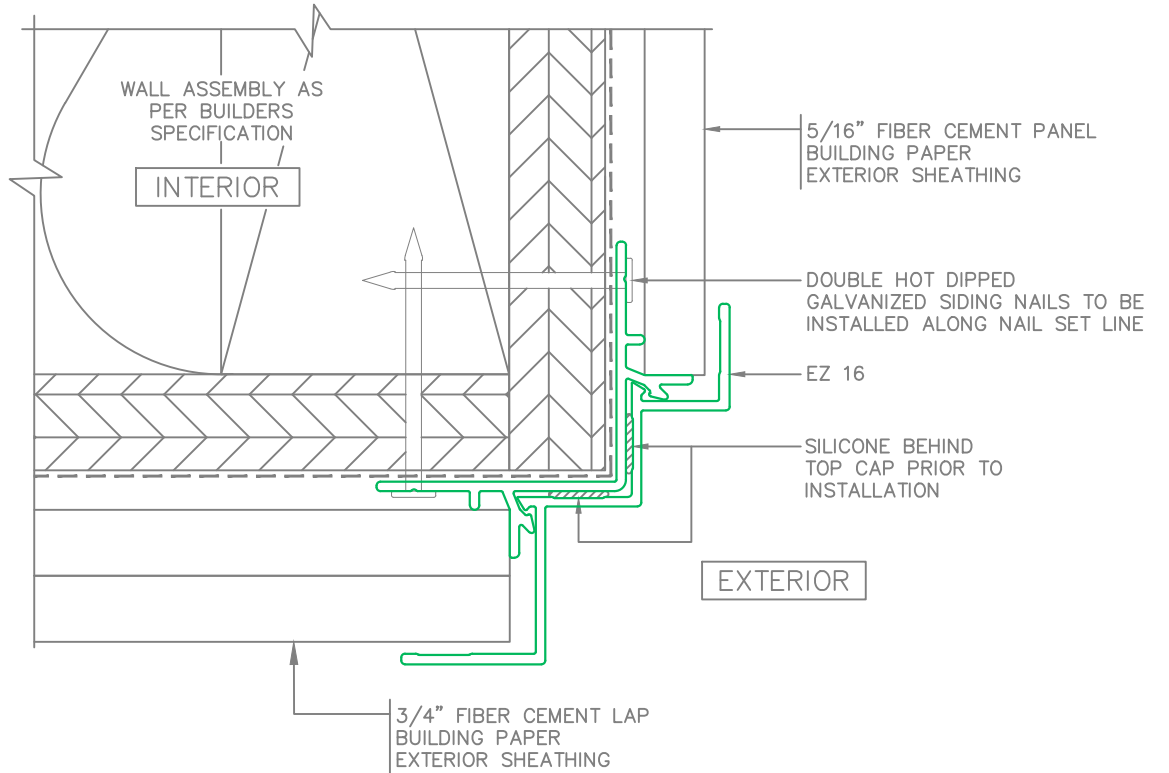
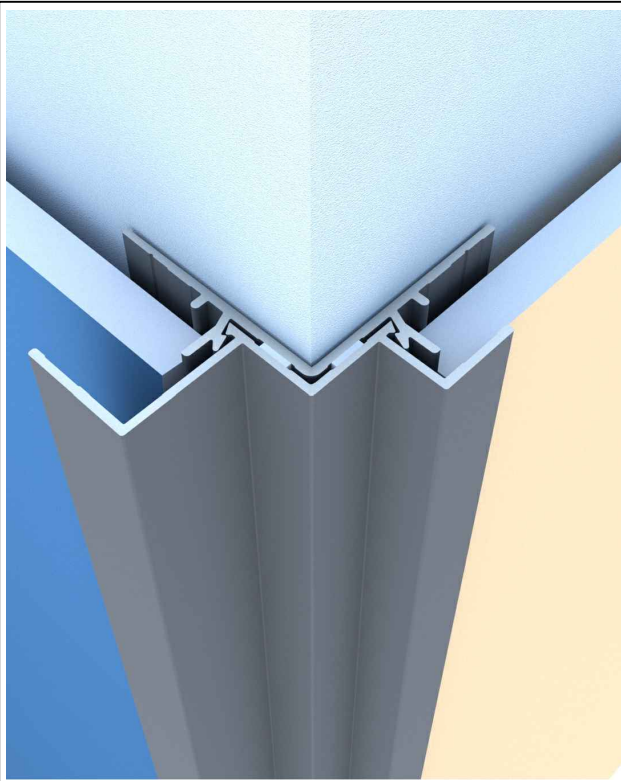
|   |         |         |                |
|---|---------|---------|----------------|
| DESCRIPTION   |         |         |                |
| EZ 14 X OUTSIDE CORNER<br>5/16" TRIM  |         |         |                |
|  | SCALE   | NTS     | DRAWING NUMBER |
|   | DATE    | APR2024 | EZ14.1         |
|   | DRWN BY | HJ/DDG  |                |




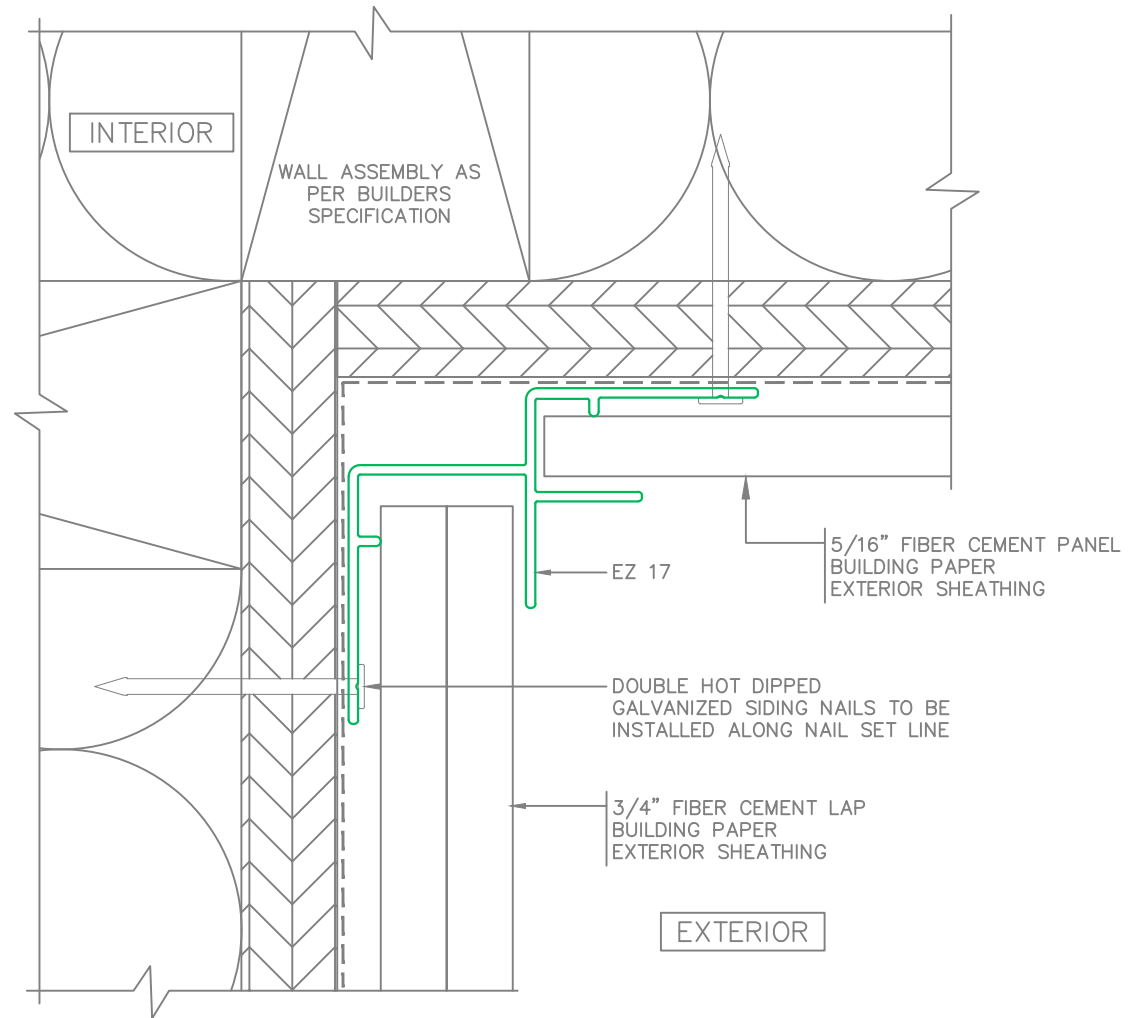
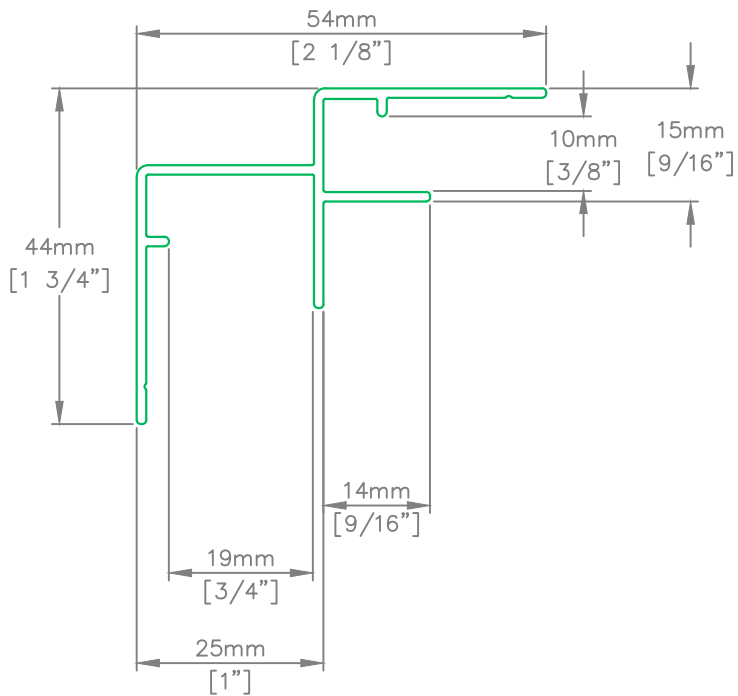
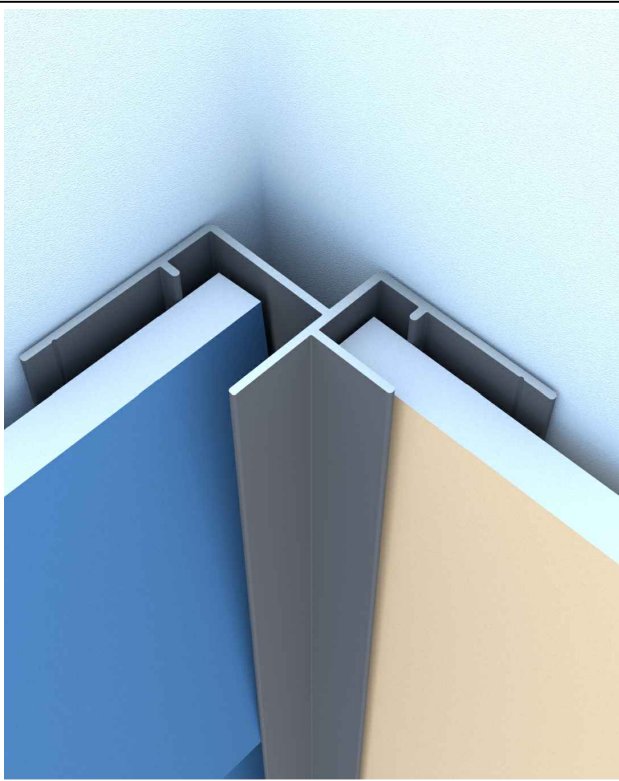
|   |         |         |                |
|---|---------|---------|----------------|
| DESCRIPTION   |         |         |                |
| EZ 15 MULTI-ANGLE (105°-160°)<br>OUTSIDE CORNER 5/16" TRIM                            |         |         |                |
|  | SCALE   | NTS     | DRAWING NUMBER |
|   | DATE    | APR2024 | EZ15.1         |
|   | DRWN BY | HJ/DDG  |                |




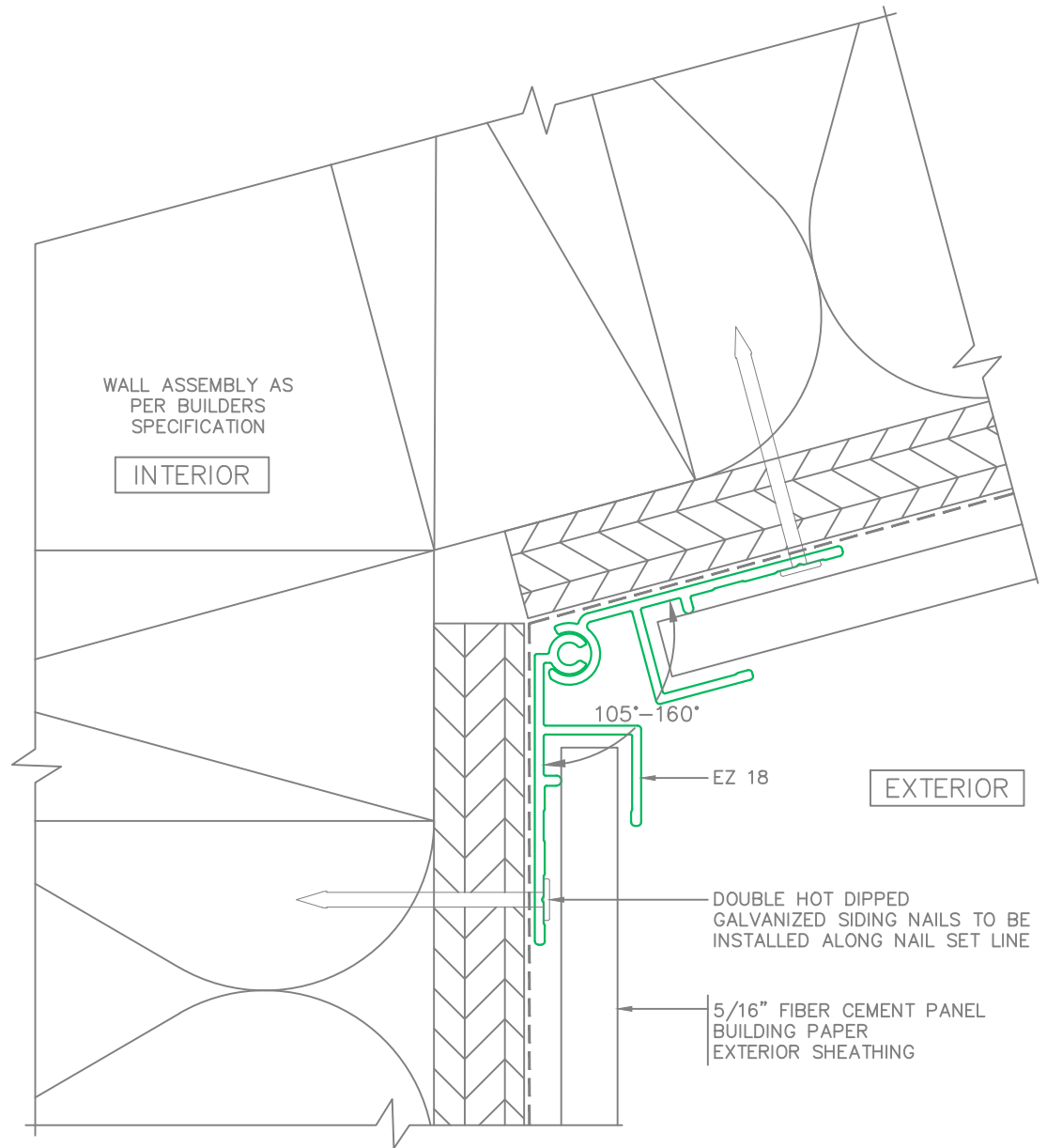
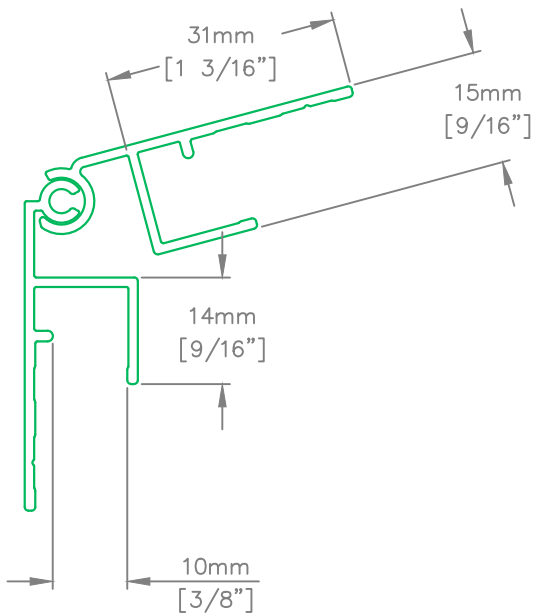
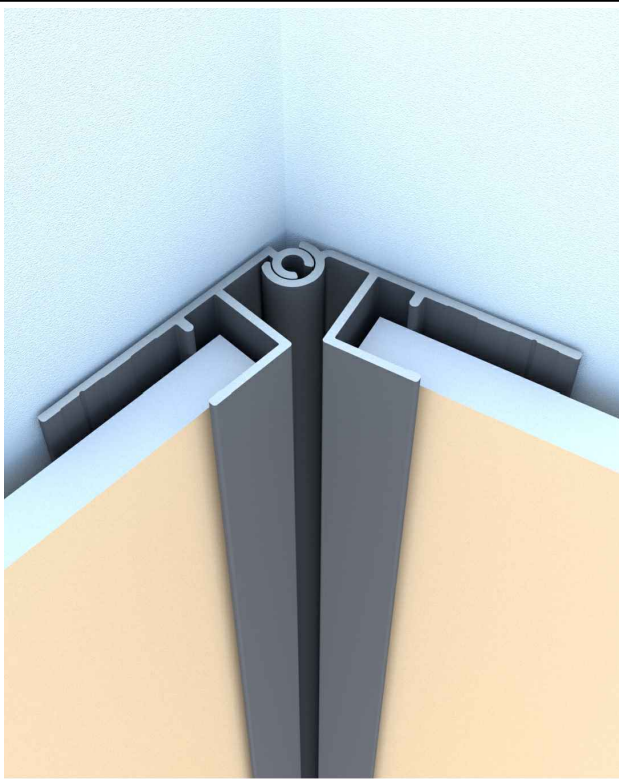
|  |         |         |                |
|--|---------|---------|----------------|
| DESCRIPTION  |         |         |                |
| SPECIAL MULTI-ANGLE ACUTE (50°-89°)<br>OUTSIDE CORNER 5/16" PANEL TRIM |         |         |                |
|  | SCALE   | NTS     | DRAWING NUMBER |
|  | DATE    | APR2024 | EZ15.2         |
|  | DRWN BY | HJ/DDG  |                |



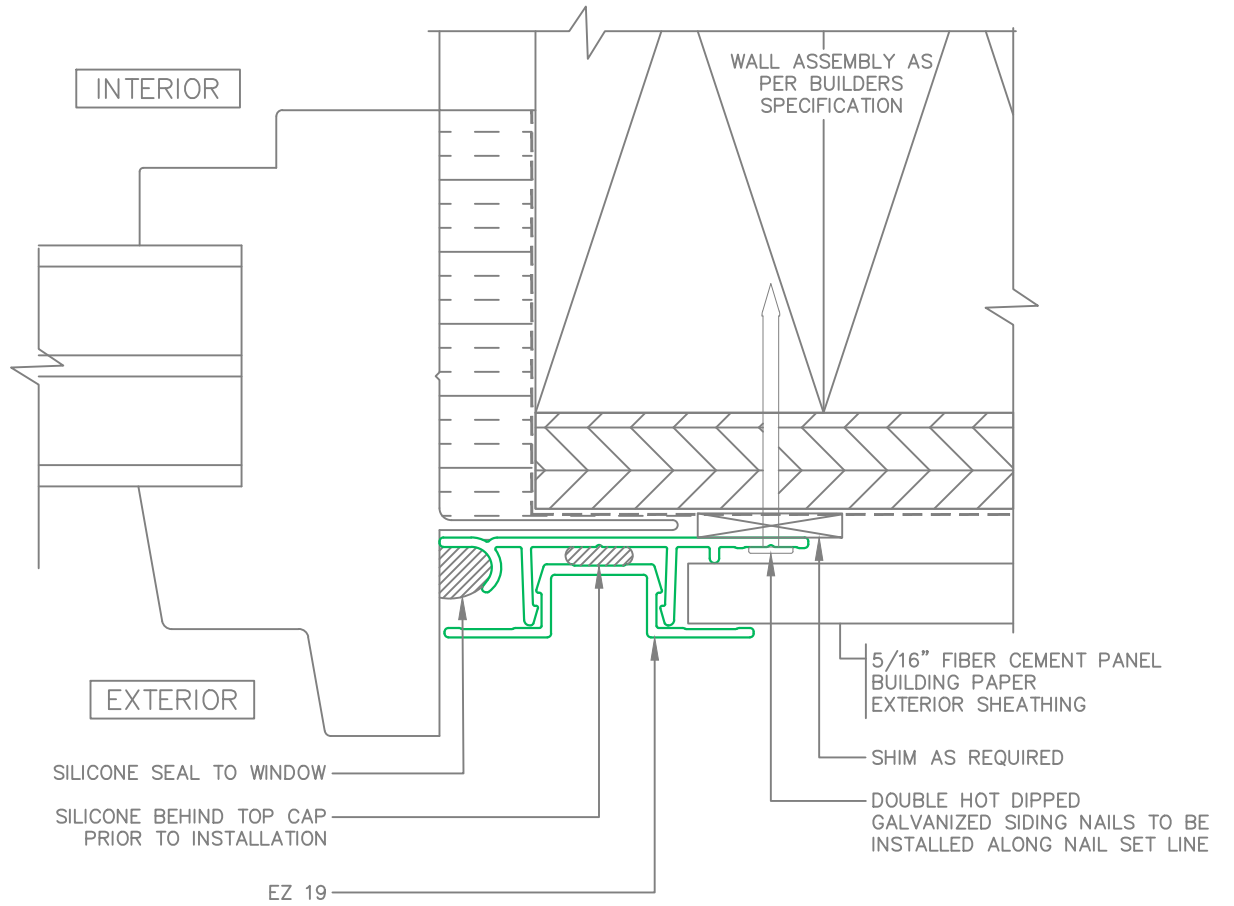
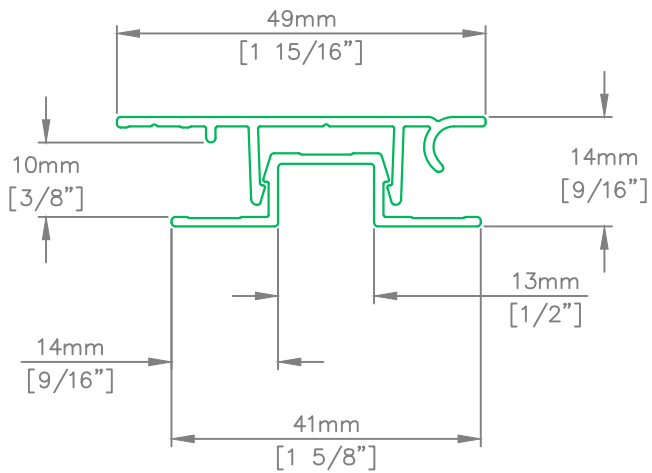
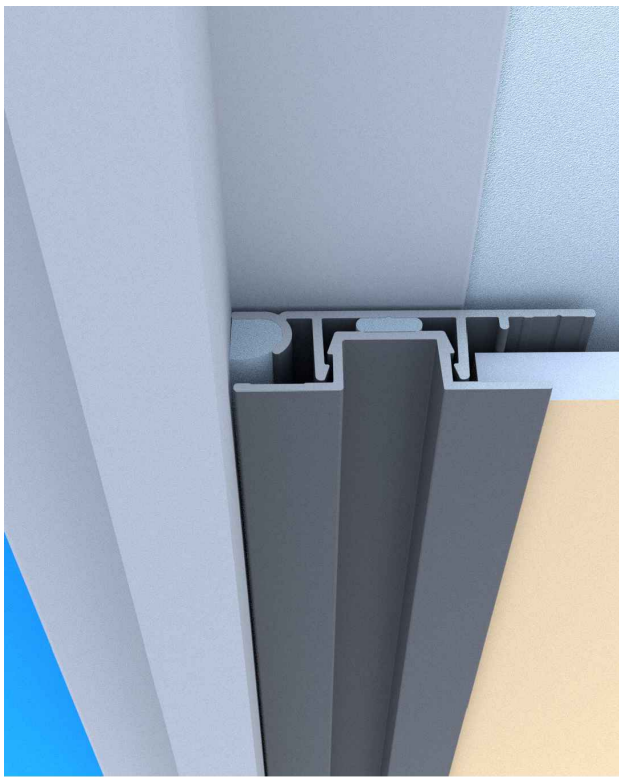
|   |         |         |                |
|---|---------|---------|----------------|
| DESCRIPTION   |         |         |                |
| EZ 16 2-PIECE OUTSIDE CORNER<br>5/16" TO 3/4" TRANSITION TRIM                         |         |         |                |
|  | SCALE   | NTS     | DRAWING NUMBER |
|   | DATE    | APR2024 | EZ16.1         |
|   | DRWN BY | HJ/DDG  |                |




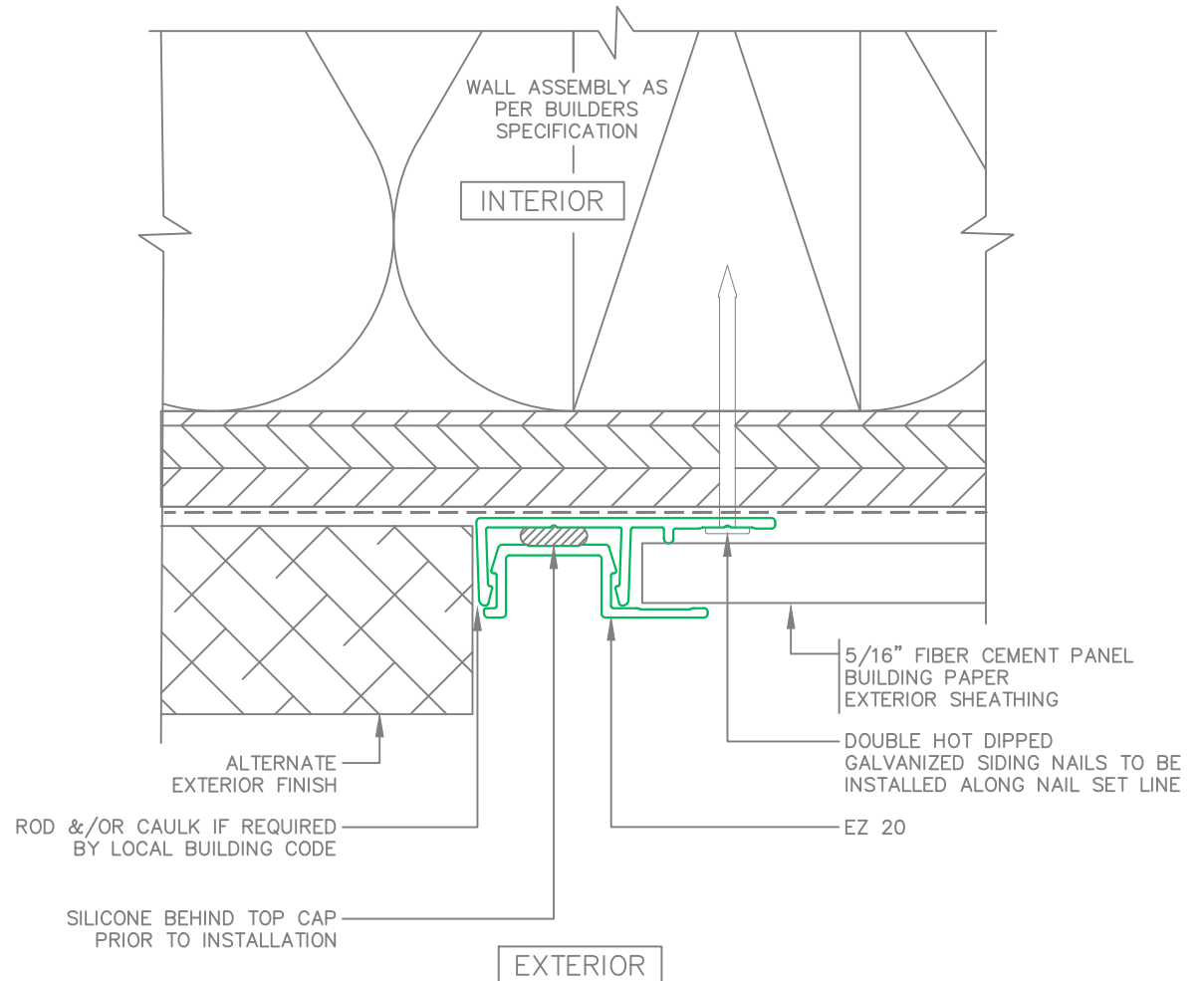
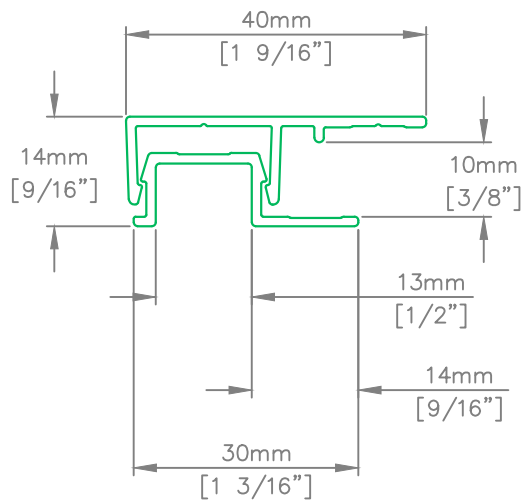
|   |         |         |                |
|---|---------|---------|----------------|
| DESCRIPTION   |         |         |                |
| EZ 17 INSIDE CORNER<br>5/16" TO 3/4" TRANSITION TRIM                                  |         |         |                |
|  | SCALE   | NTS     | DRAWING NUMBER |
|   | DATE    | APR2024 | EZ17.1         |
|   | DRWN BY | HJ/DDG  |                |



|  |         |         |                |
|--|---------|---------|----------------|
| DESCRIPTION  |         |         |                |
| EZ 18 MULTI-ANGLE (105°-160°) INSIDE CORNER 5/16" TRIM |         |         |                |
|  | SCALE   | NTS     | DRAWING NUMBER |
|  | DATE    | APR2024 | EZ18.1         |
|  | DRWN BY | HJ/DDG  |                |

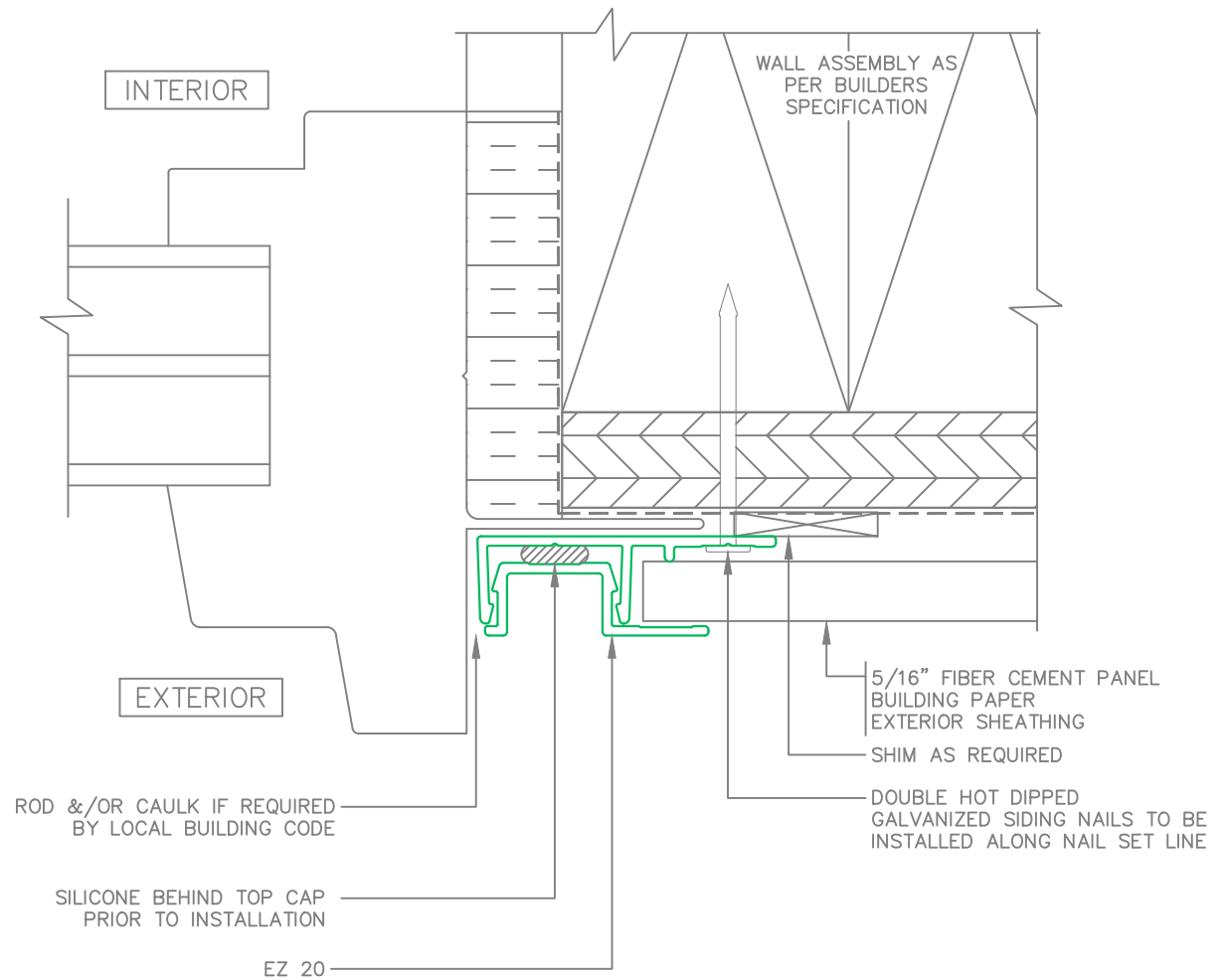
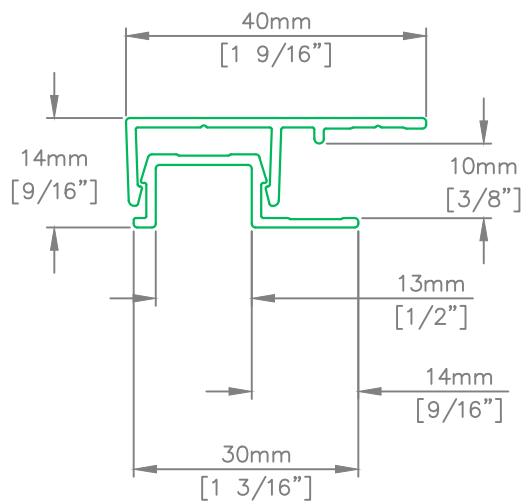
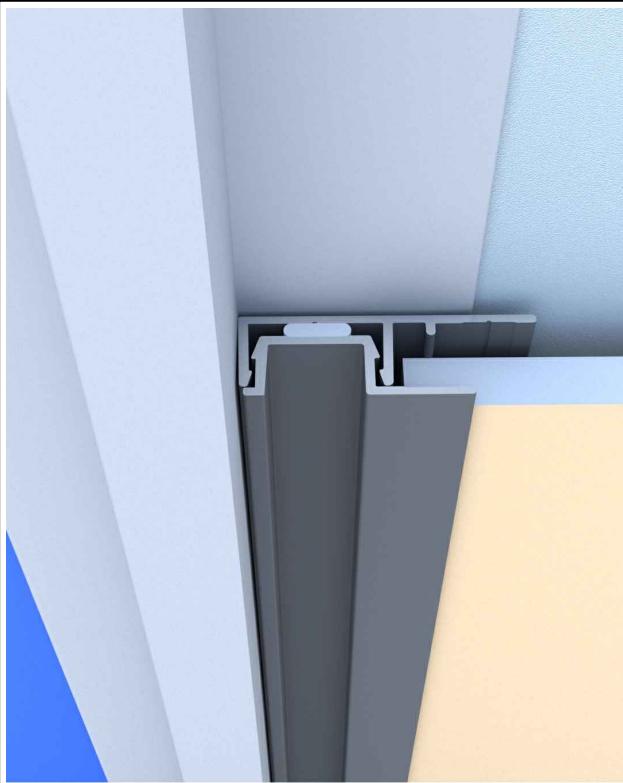



| DESCRIPTION   |         |         |                |
|---|---------|---------|----------------|
| EZ 19 2-PIECE WINDOW JAMB<br>5/16" TRIM   |         |         |                |
|  | SCALE   | NTS     | DRAWING NUMBER |
|   | DATE    | APR2024 | EZ19.1         |
|   | DRWN BY | HJ/DDG  |                |

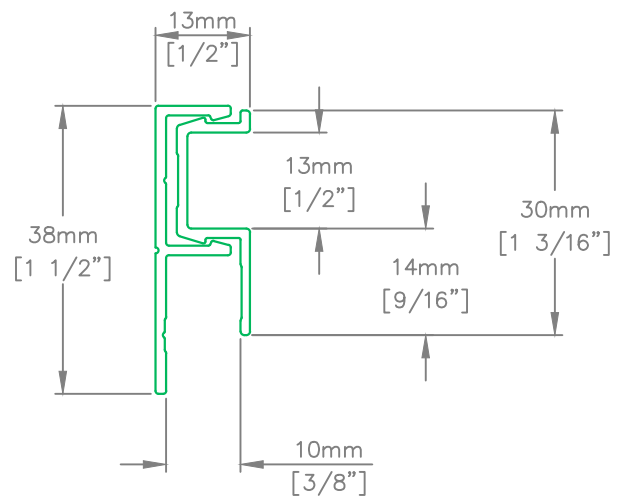
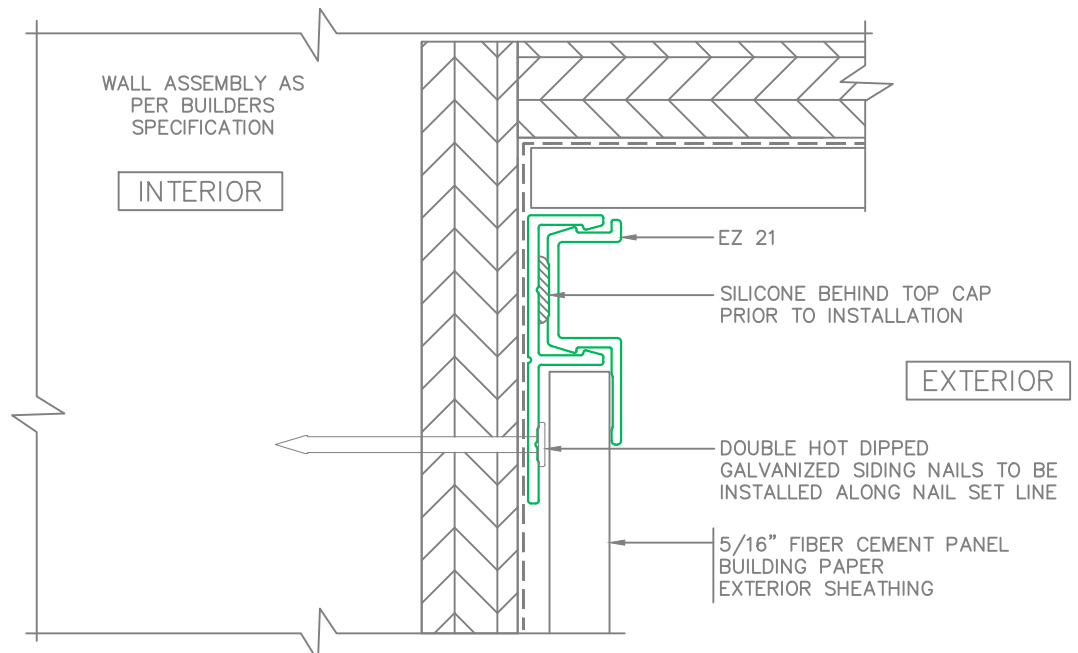



| DESCRIPTION   |         |         |                |
|---|---------|---------|----------------|
| EZ 20 2-PIECE GENERAL J VERTICAL TERMINATION 5/16" TRIM |         |         |                |
|   | SCALE   | NTS     | DRAWING NUMBER |
|   | DATE    | APR2024 | EZ20.1         |
|   | DRWN BY | HJ/DDG  |                |

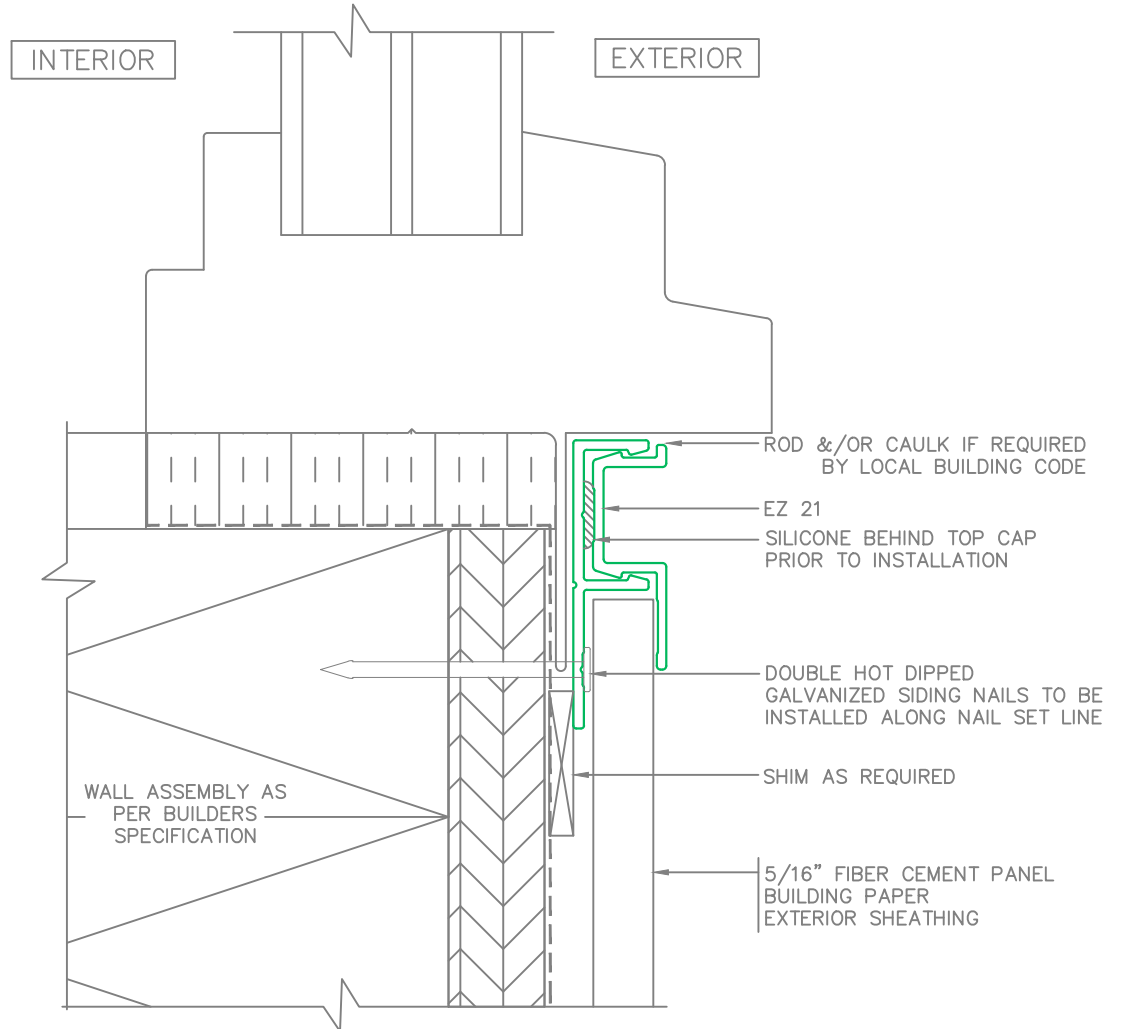
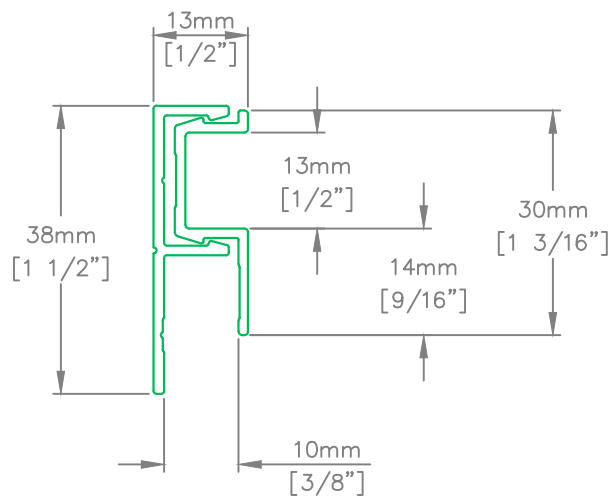
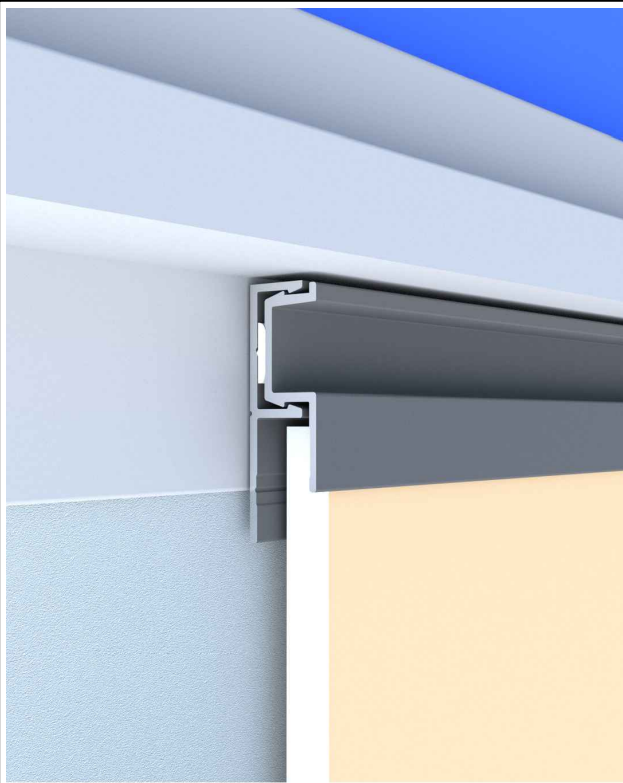





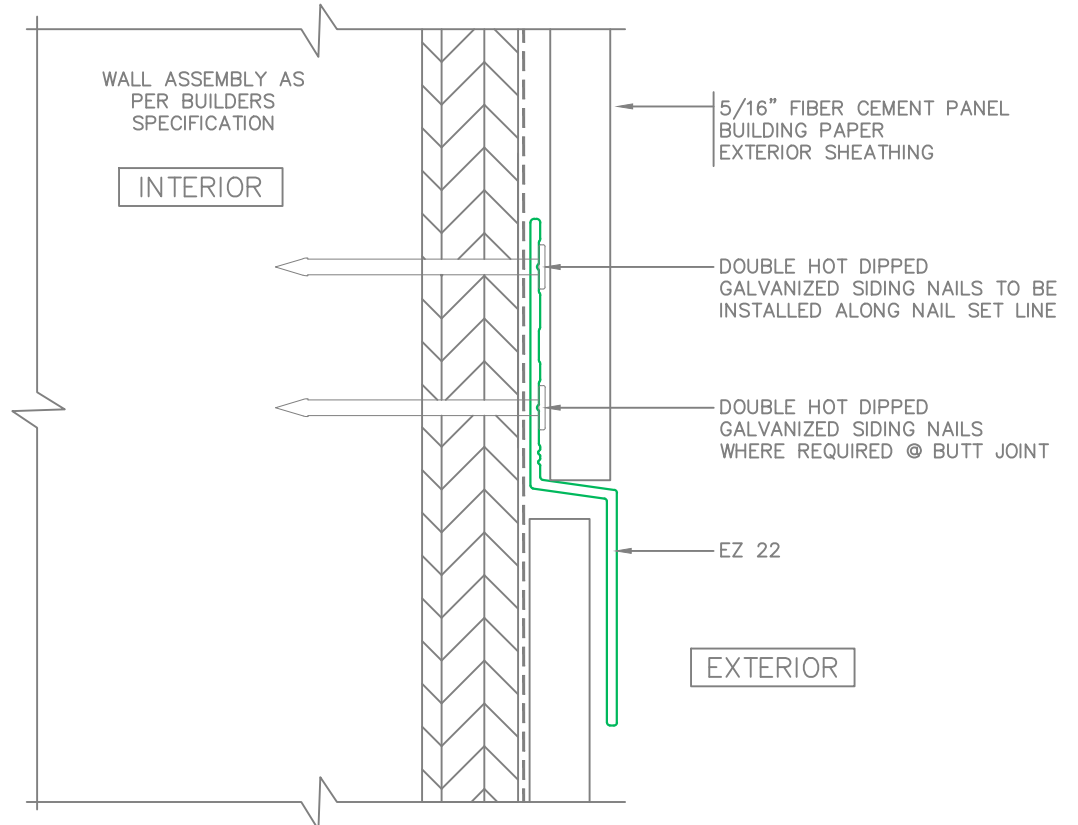
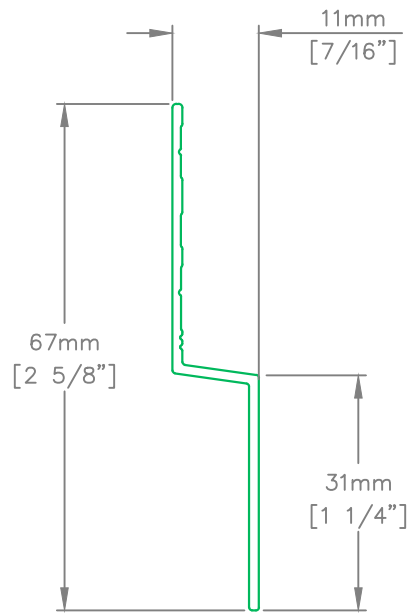
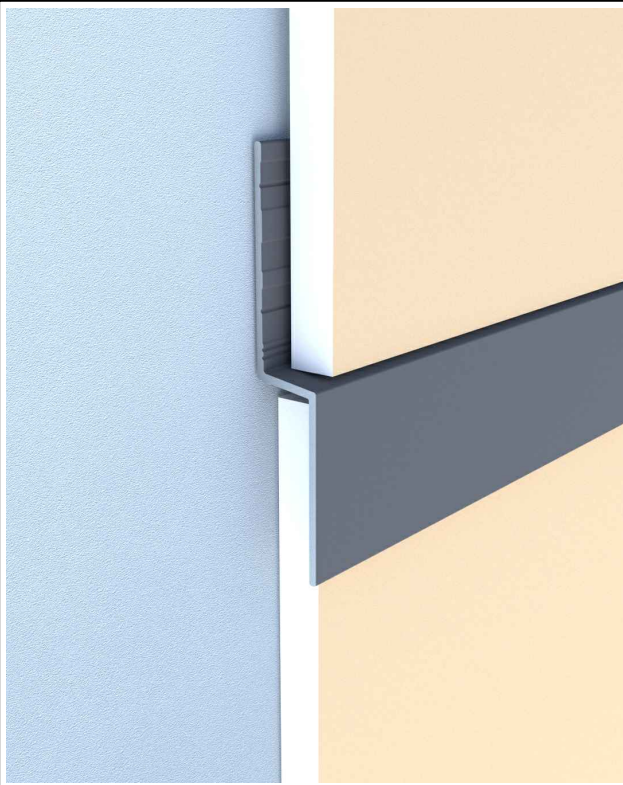
| DESCRIPTION   |         |         |                |
|---|---------|---------|----------------|
| EZ 20 2-PIECE GENERAL J WINDOW<br>JAMB 5/16" TRIM                                     |         |         |                |
|  | SCALE   | NTS     | DRAWING NUMBER |
|   | DATE    | APR2024 | EZ20.2         |
|   | DRWN BY | HJ/DDG  |                |




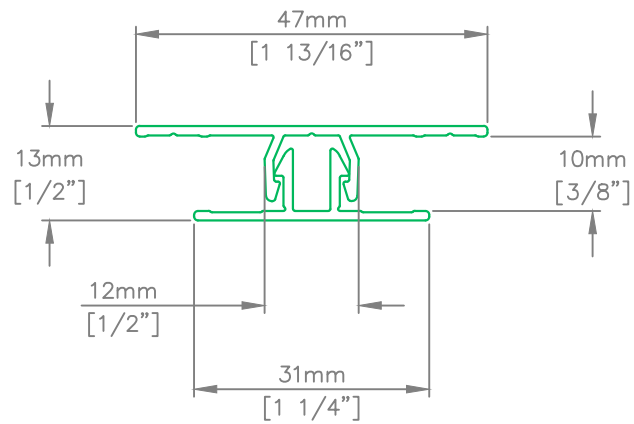
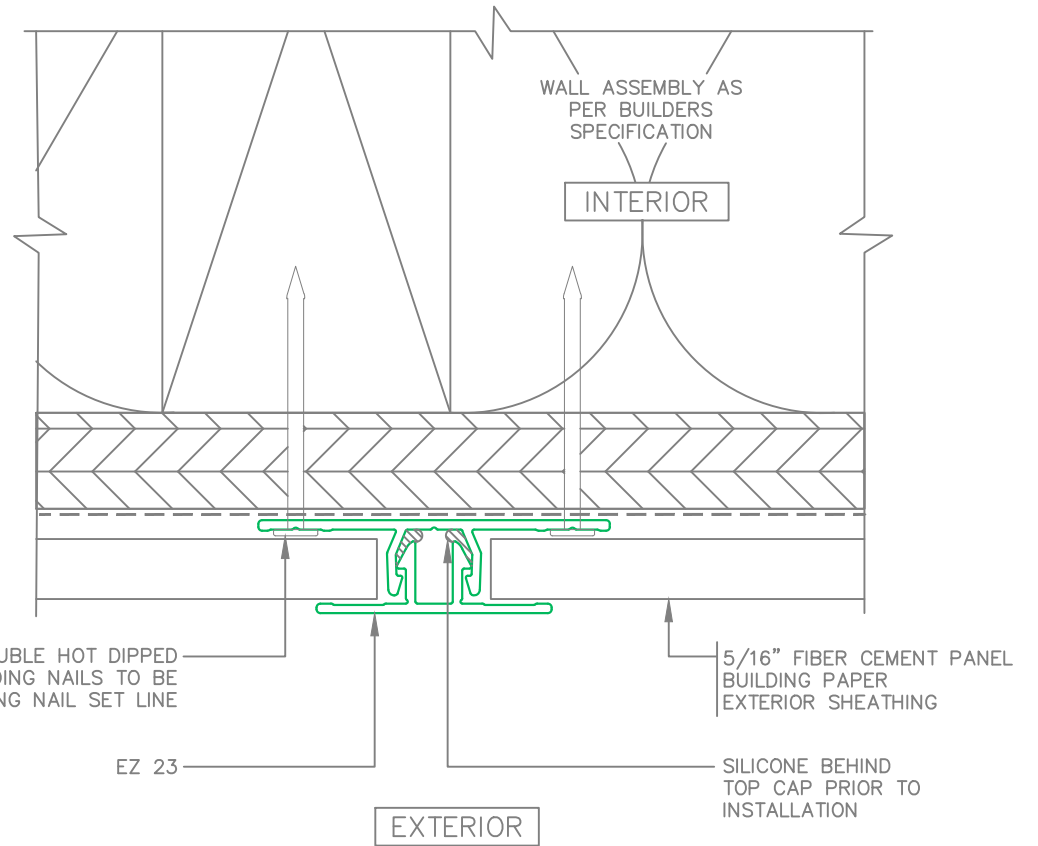
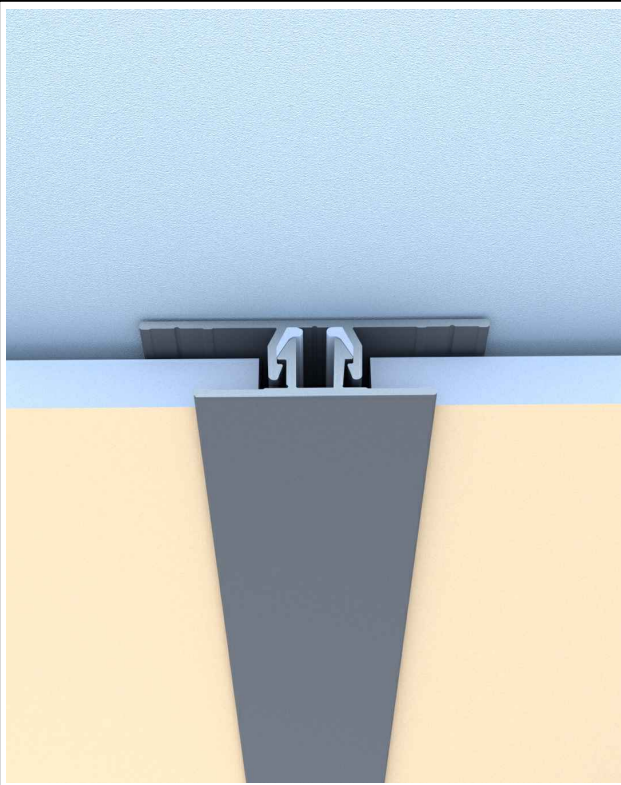
|   |         |         |                |
|---|---------|---------|----------------|
| DESCRIPTION   |         |         |                |
| EZ 21 2-PIECE SOFFIT J<br>5/16" TRIM  |         |         |                |
|  | SCALE   | NTS     | DRAWING NUMBER |
|   | DATE    | APR2024 | EZ21.1         |
|   | DRWN BY | HJ/DDG  |                |




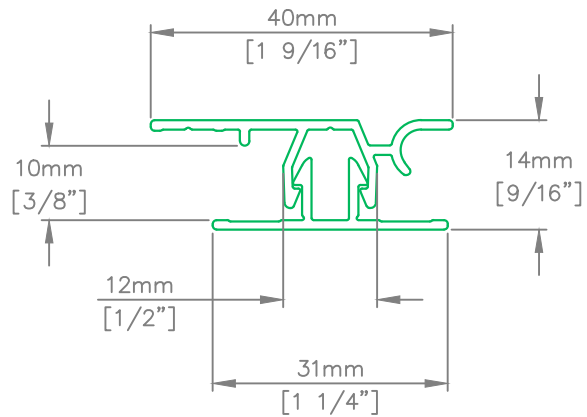
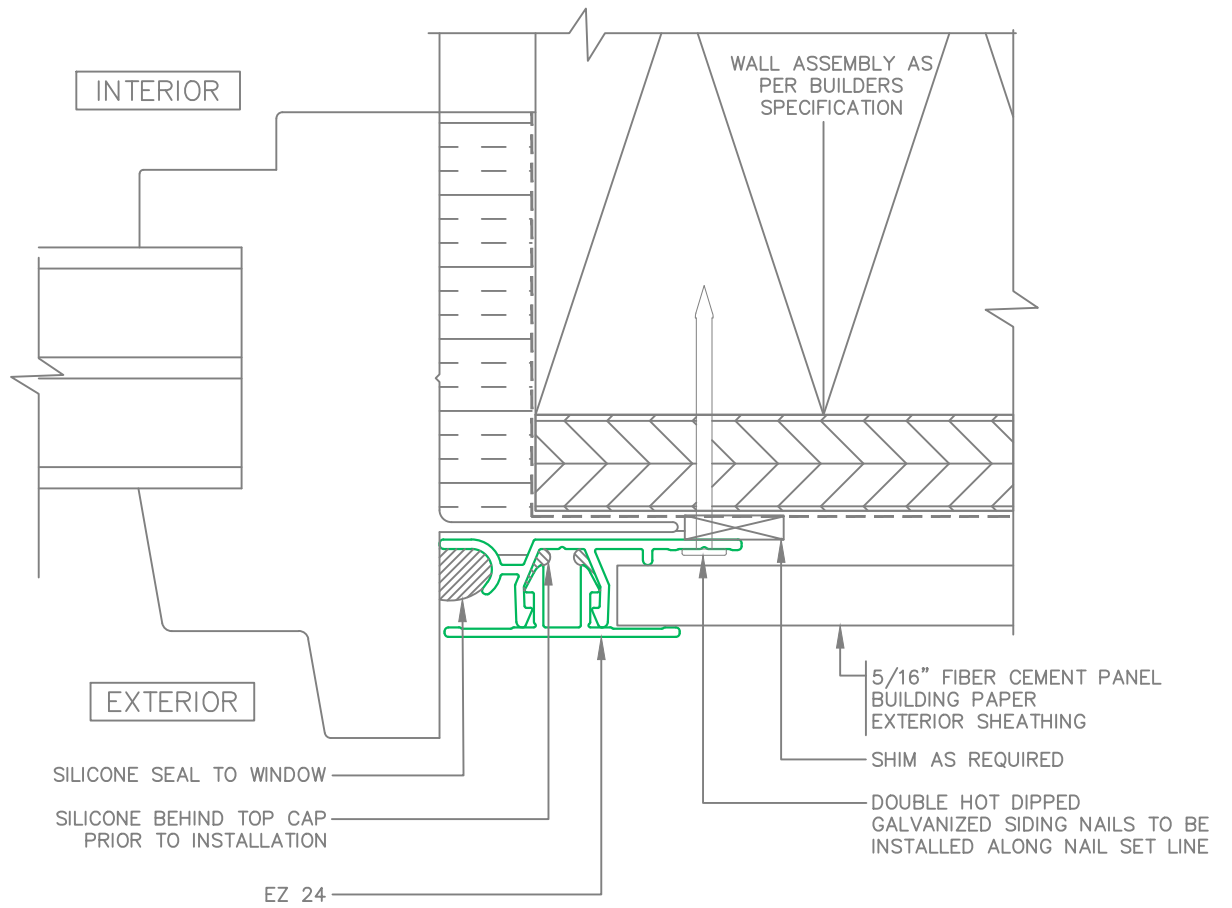
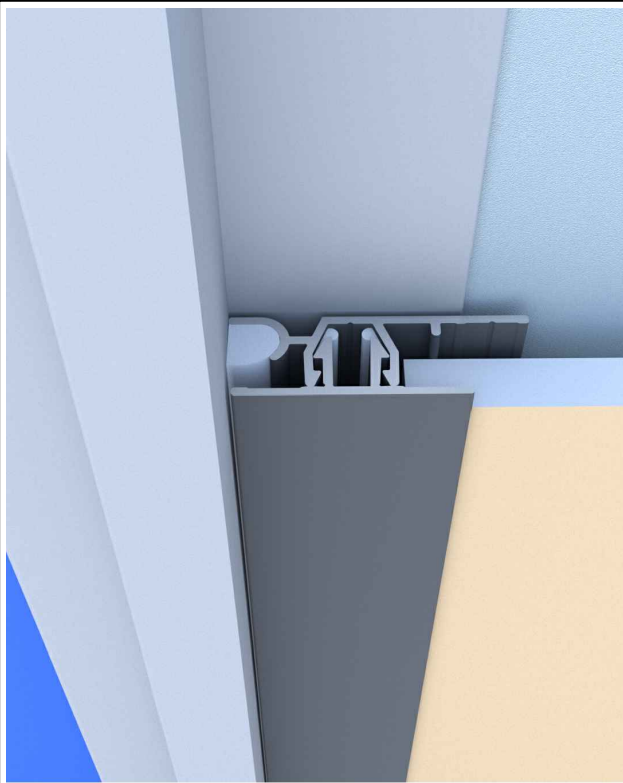
| DESCRIPTION   |         |         |                |
|---|---------|---------|----------------|
| EZ 21 2-PIECE SOFFIT J @<br>WINDOW SILL 5/16" TRIM                                    |         |         |                |
|  | SCALE   | NTS     | DRAWING NUMBER |
|   | DATE    | APR2024 | EZ21.2         |
|   | DRWN BY | HJ/DDG  |                |



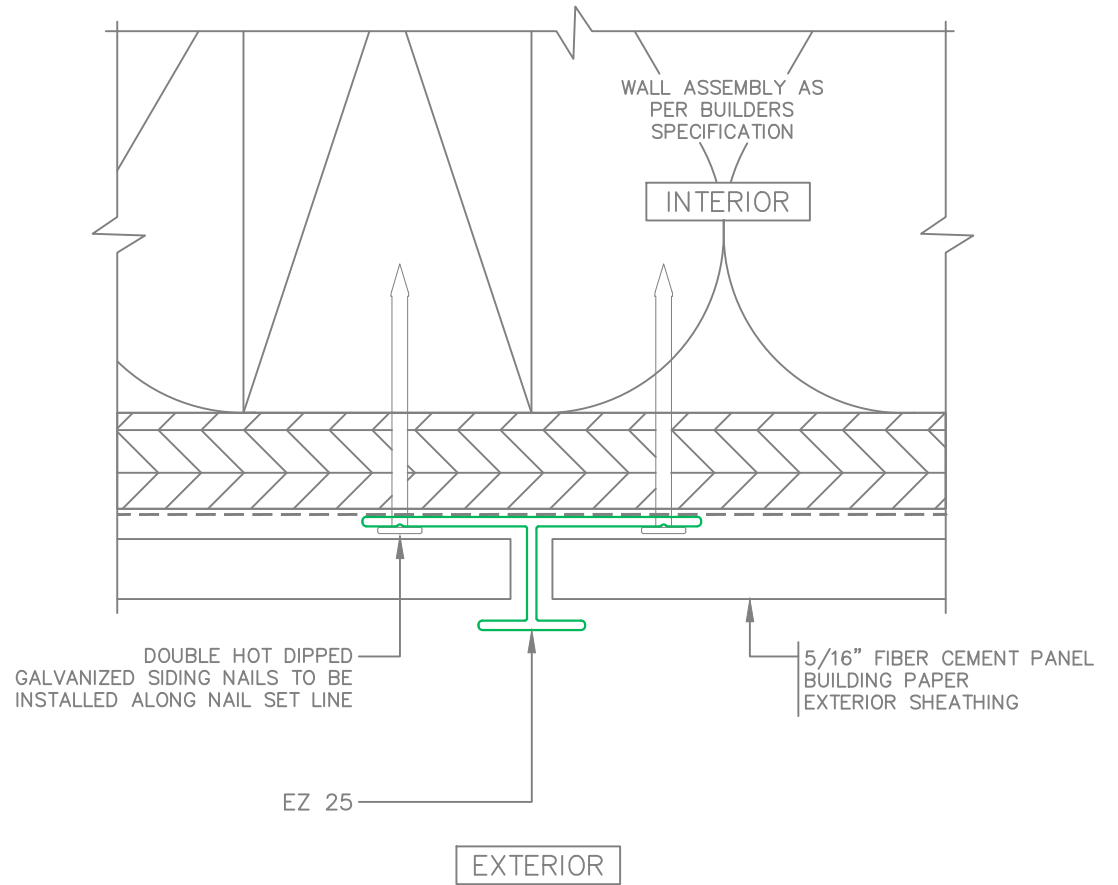
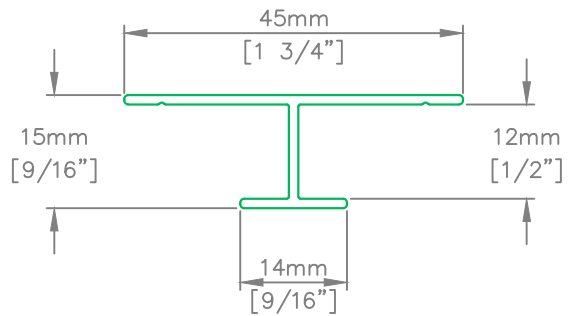
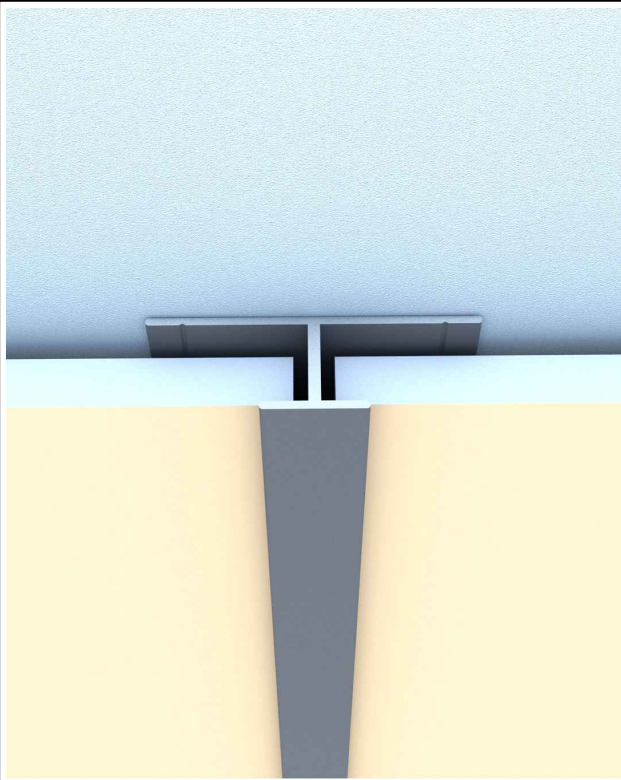
|   |         |         |                |
|---|---------|---------|----------------|
| DESCRIPTION   |         |         |                |
| EZ 22 HORIZONTAL SLT Z<br>5/16" TRIM  |         |         |                |
|  | SCALE   | NTS     | DRAWING NUMBER |
|   | DATE    | APR2024 | EZ22.1         |
|   | DRWN BY | HJ/DDG  |                |




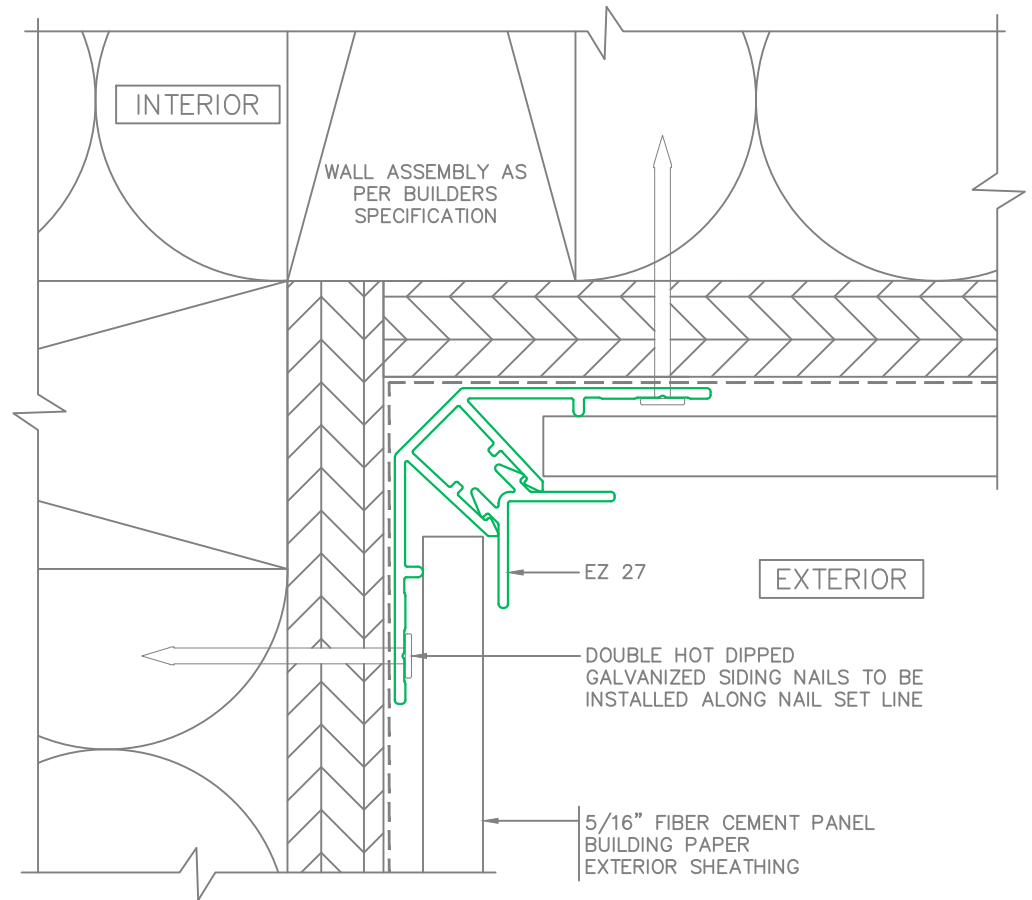
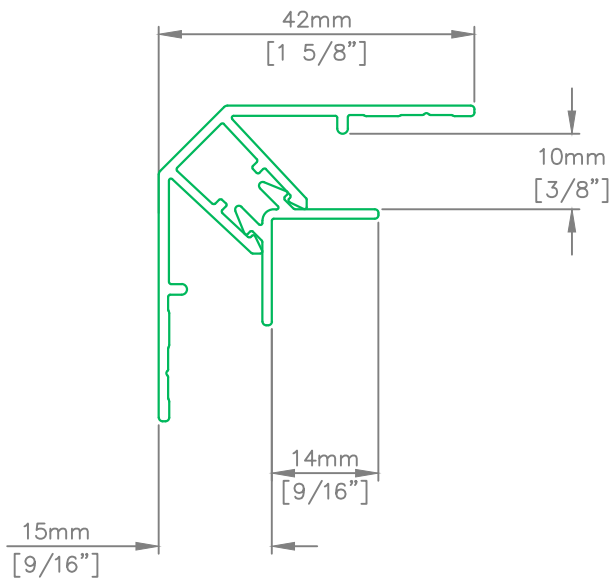
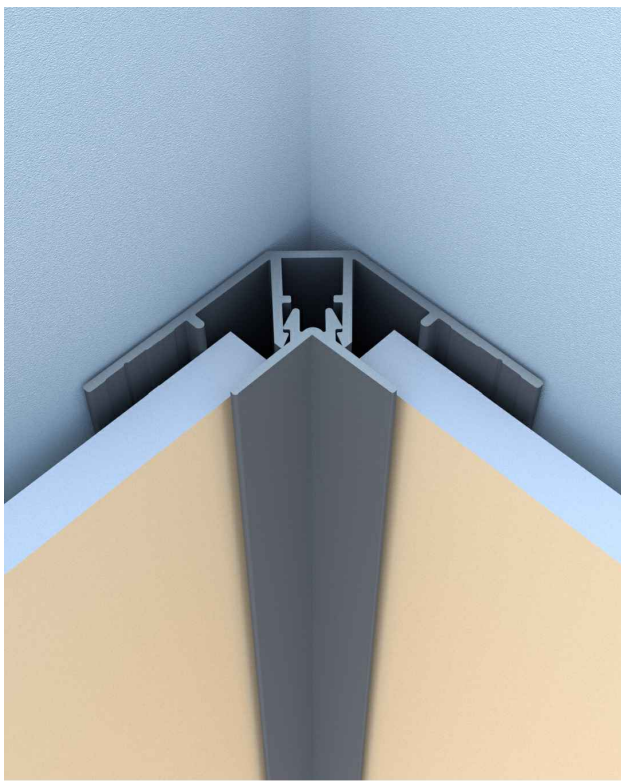
|   |         |         |                |
|---|---------|---------|----------------|
| DESCRIPTION   |         |         |                |
| EZ 23 2-PIECE VERTICAL SLT<br>5/16" TRIM  |         |         |                |
|  | SCALE   | NTS     | DRAWING NUMBER |
|   | DATE    | APR2024 | EZ23.1         |
|   | DRWN BY | HJ/DDG  |                |




|  |         |         |                |
|--|---------|---------|----------------|
| DESCRIPTION                            |         |         |                |
| EZ 24 2-PIECE WINDOW SLT<br>5/16" TRIM |         |         |                |
|  | SCALE   | NTS     | DRAWING NUMBER |
|  | DATE    | APR2024 | EZ24.1         |
|  | DRWN BY | HJ/DDG  |                |

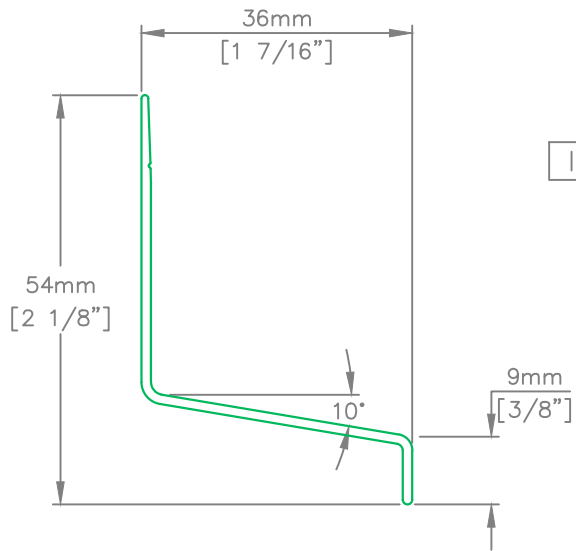
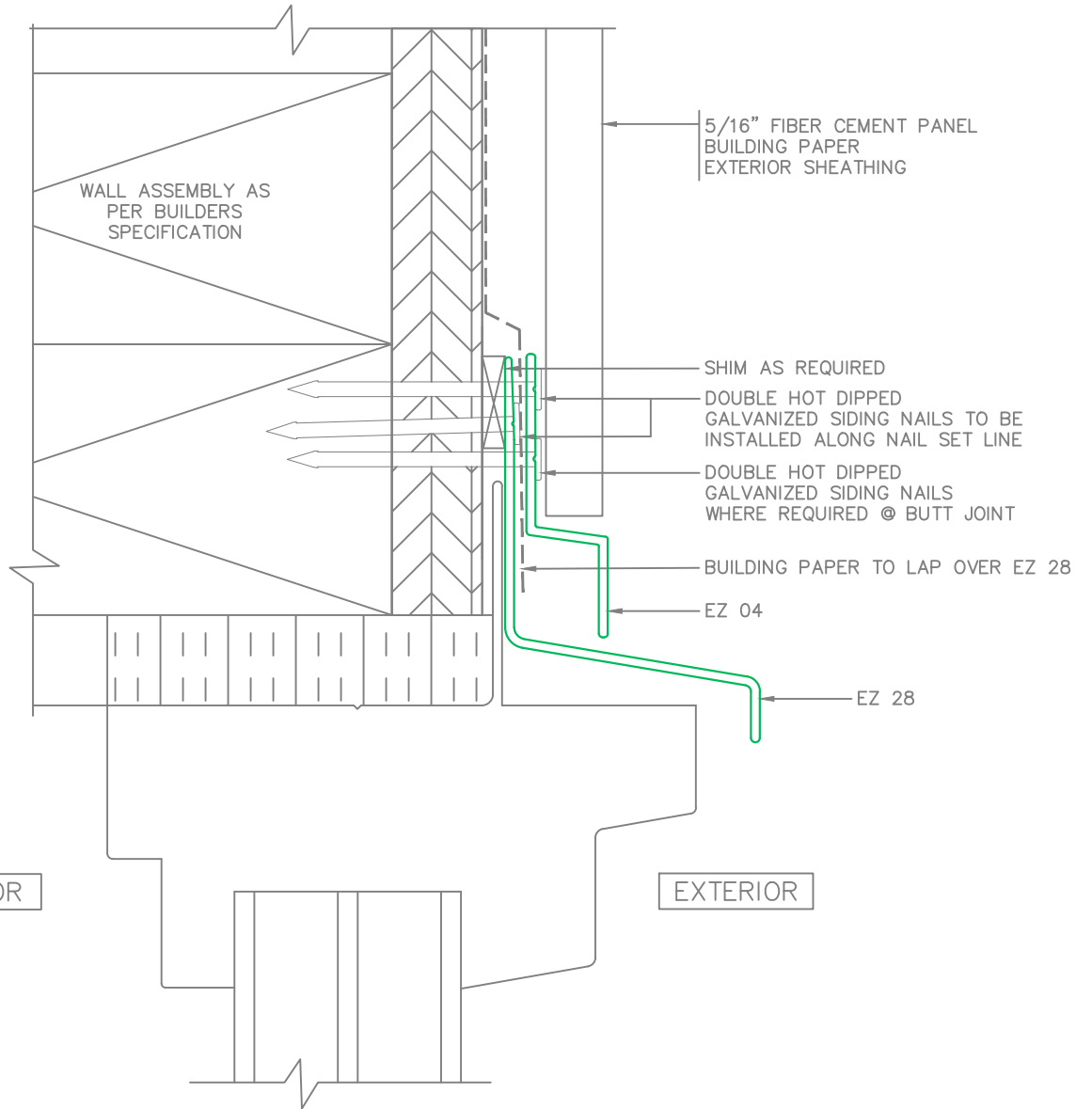
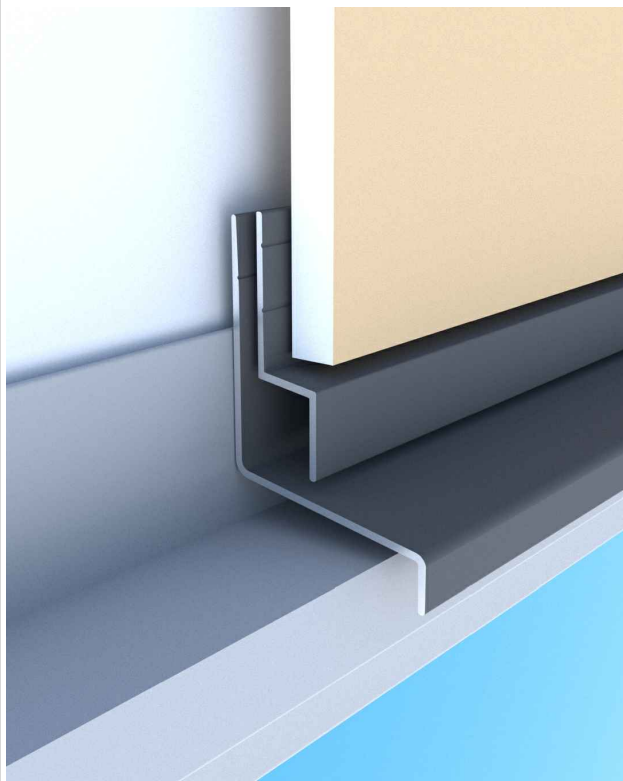


|   |         |         |                |
|---|---------|---------|----------------|
| DESCRIPTION   |         |         |                |
| EZ 25 VERTICAL H 5/16" TRIM   |         |         |                |
|  | SCALE   | NTS     | DRAWING NUMBER |
|   | DATE    | APR2024 | EZ25.1         |
|   | DRWN BY | HJ/DDG  |                |




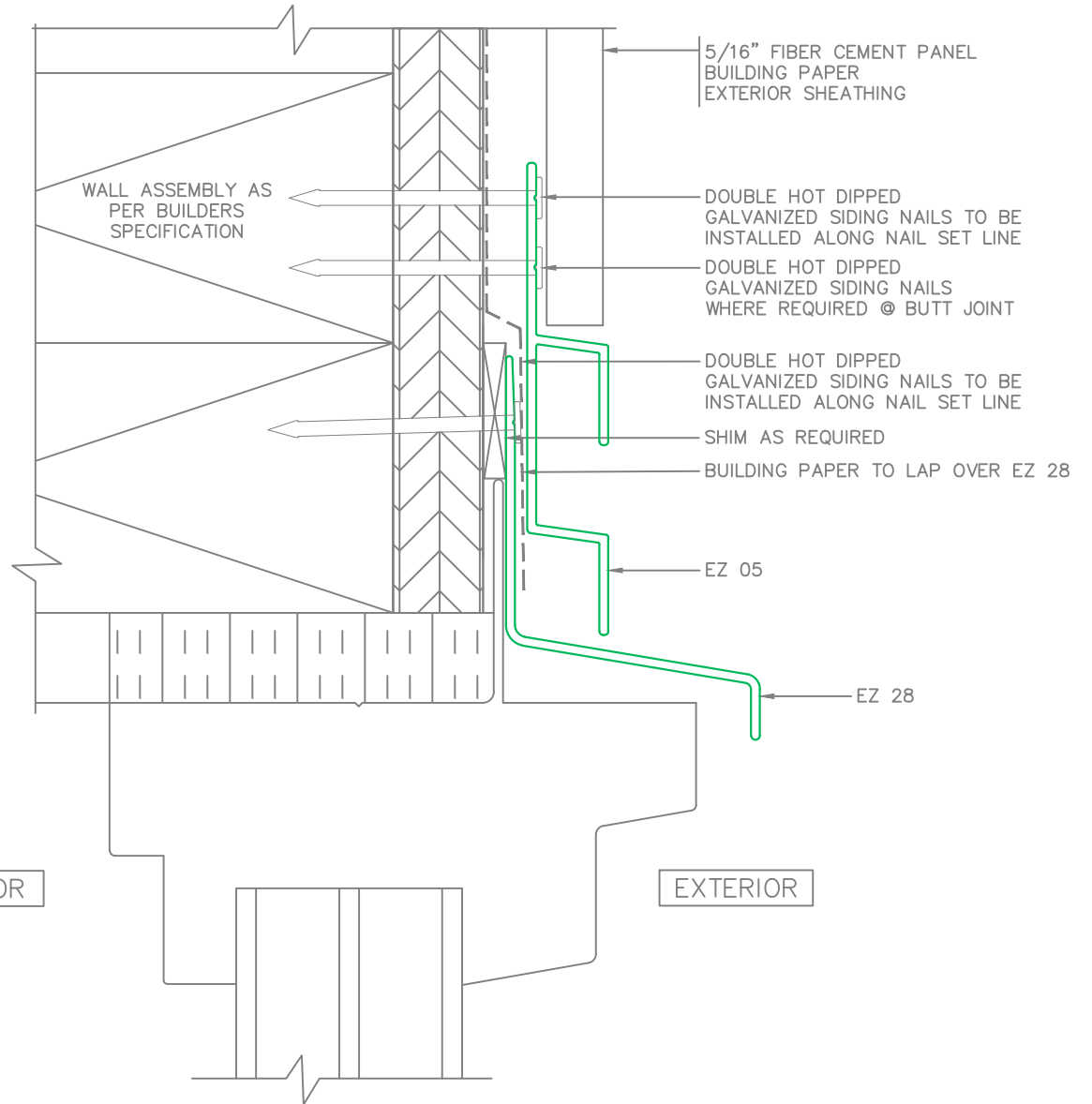
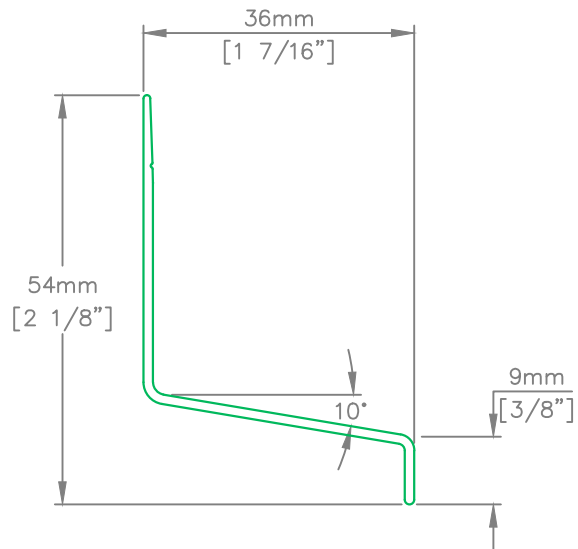
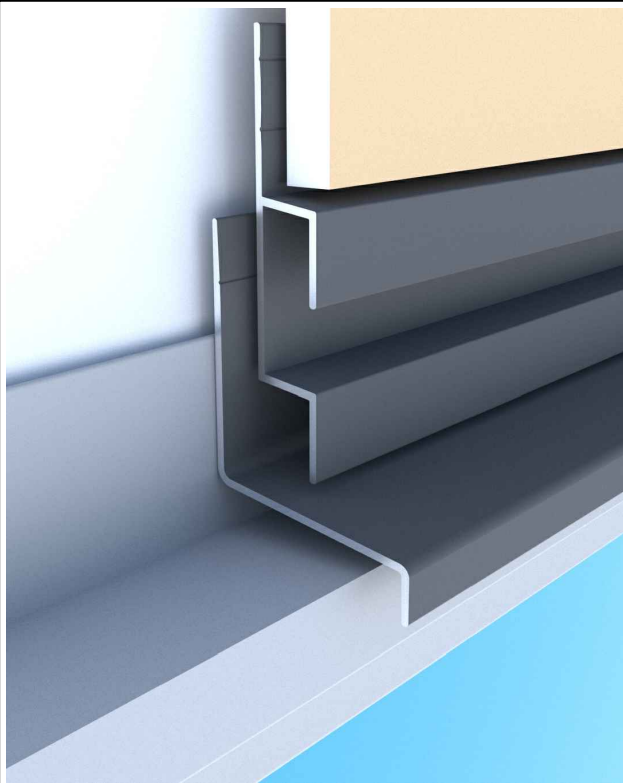
|   |         |         |                |
|---|---------|---------|----------------|
| DESCRIPTION   |         |         |                |
| EZ 27 2-PIECE INSIDE CORNER<br>5/16" TRIM   |         |         |                |
|  | SCALE   | NTS     | DRAWING NUMBER |
|   | DATE    | APR2024 | EZ27.1         |
|   | DRWN BY | HJ/DDG  |                |






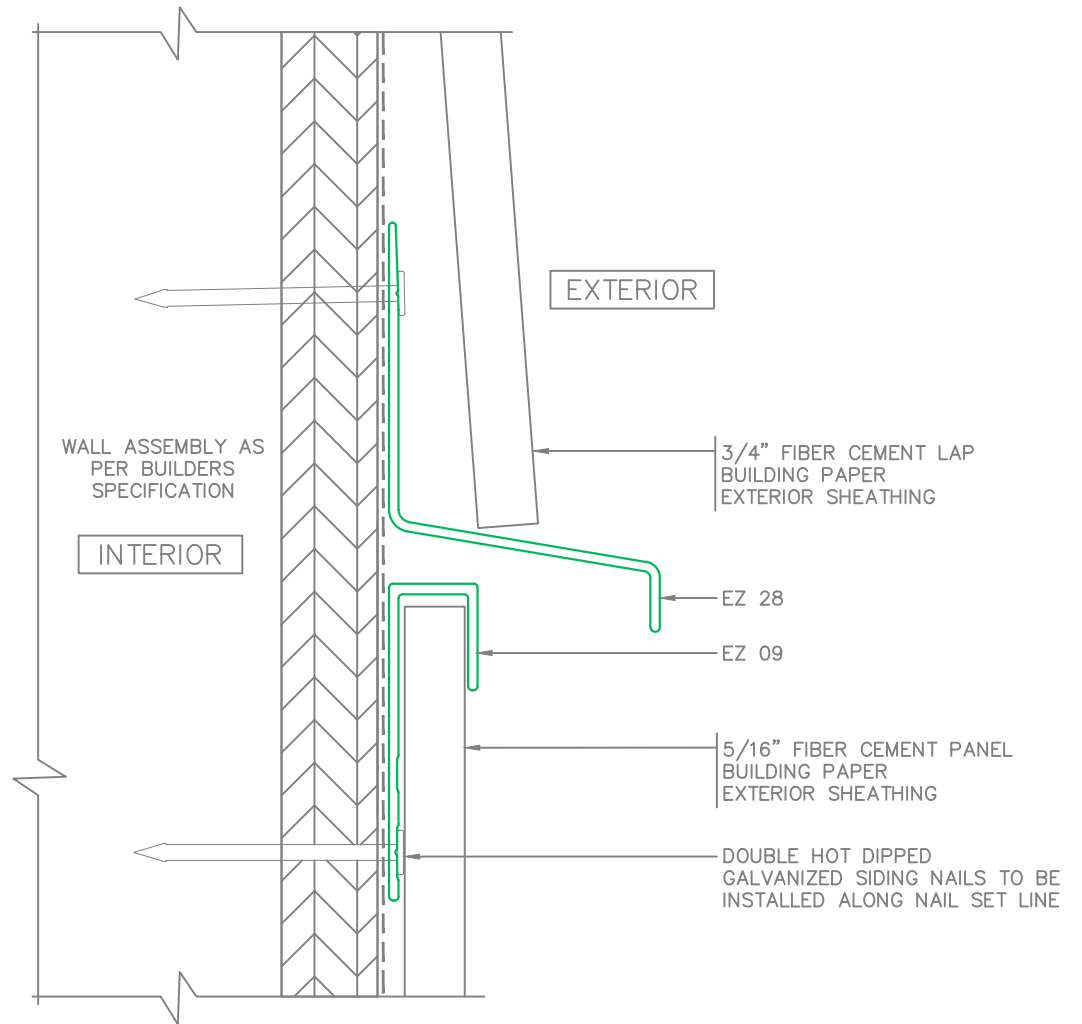
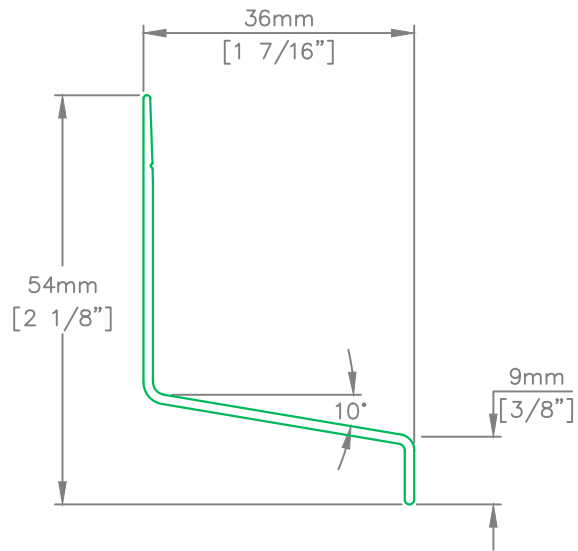
DESCRIPTION  
EZ 28 1-3/8" WINDOW DRIP CAP FLASHING W/  
EZ 04 HORIZONTAL Z 5/16" TRIM


|   |         |         |                |
|---|---------|---------|----------------|
|  | SCALE   | NTS     | DRAWING NUMBER |
|   | DATE    | APR2024 | EZ28.1         |
|   | DRWN BY | HJ/DDG  |                |

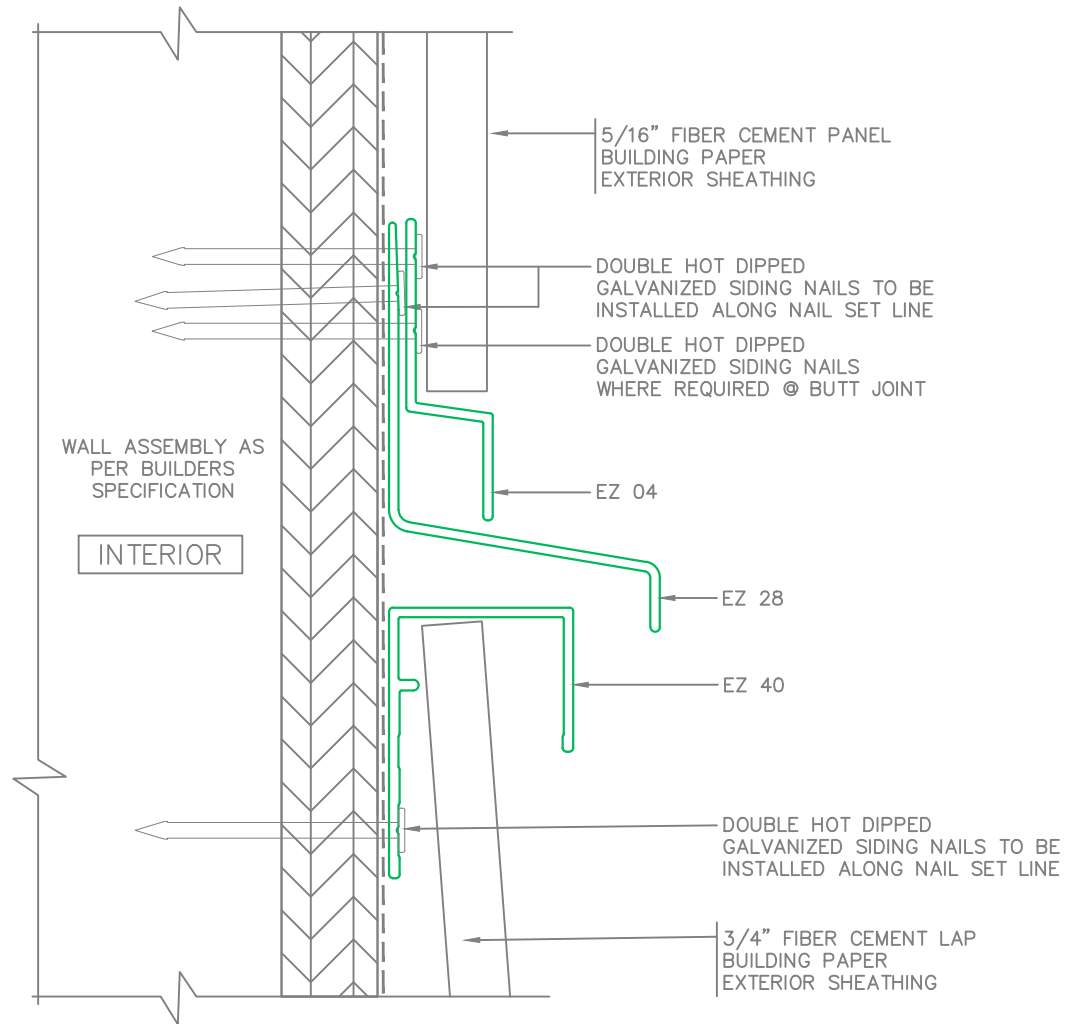
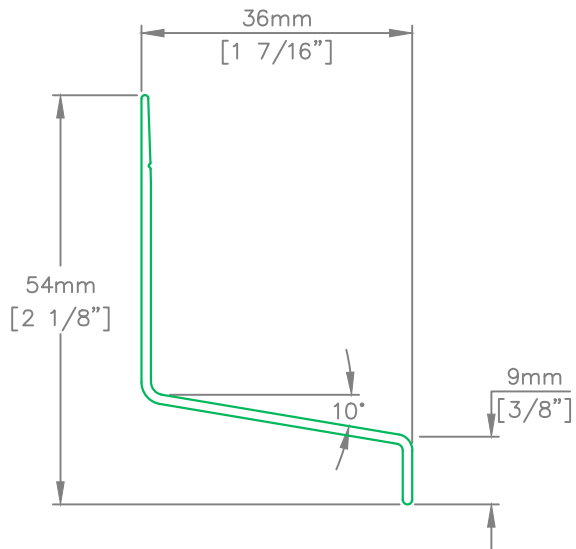



DESCRIPTION  
 EZ 28 1-3/8" WINDOW DRIP CAP FLASHING W/  
 EZ 05 HORIZONTAL H 5/16" TRIM

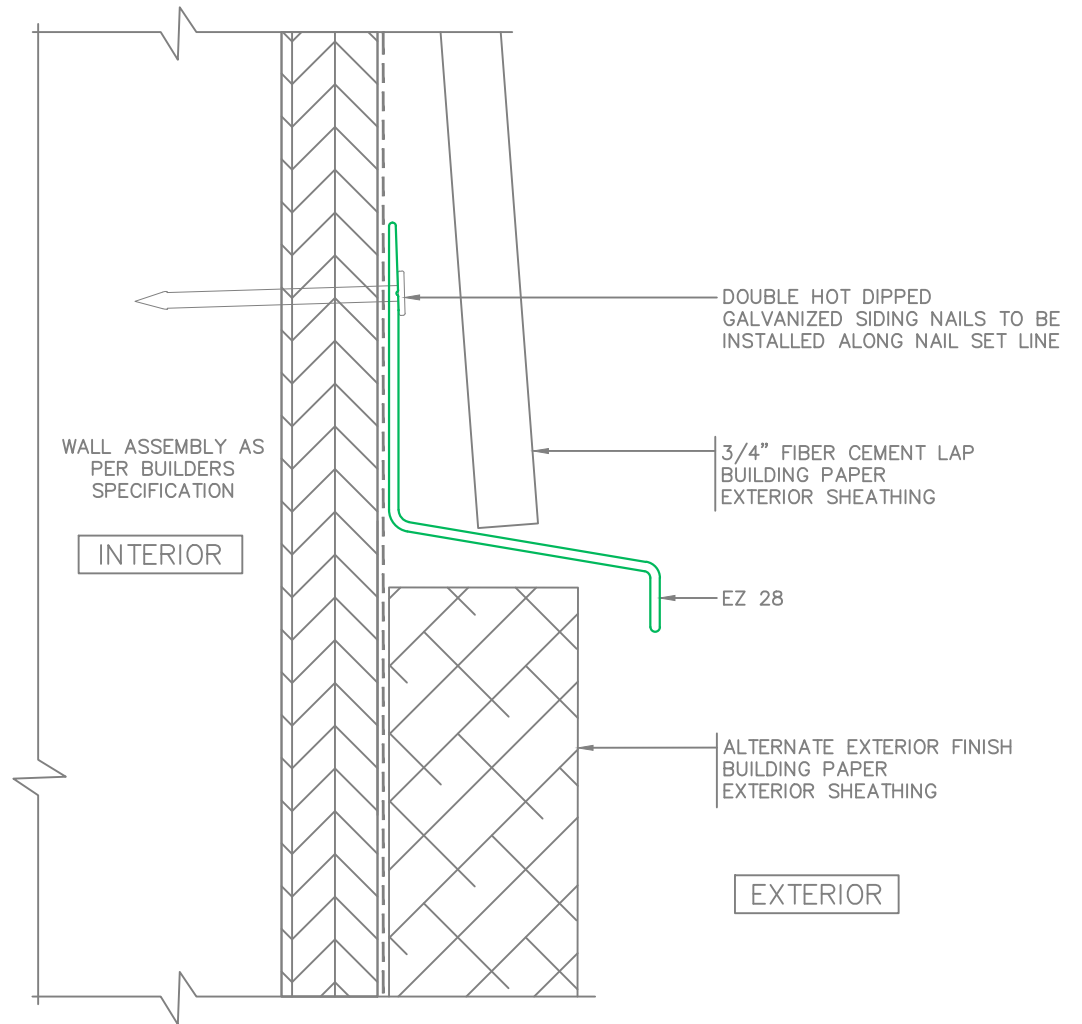
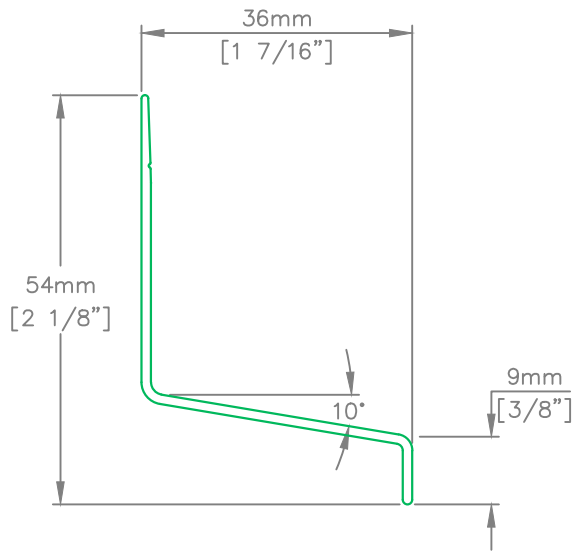
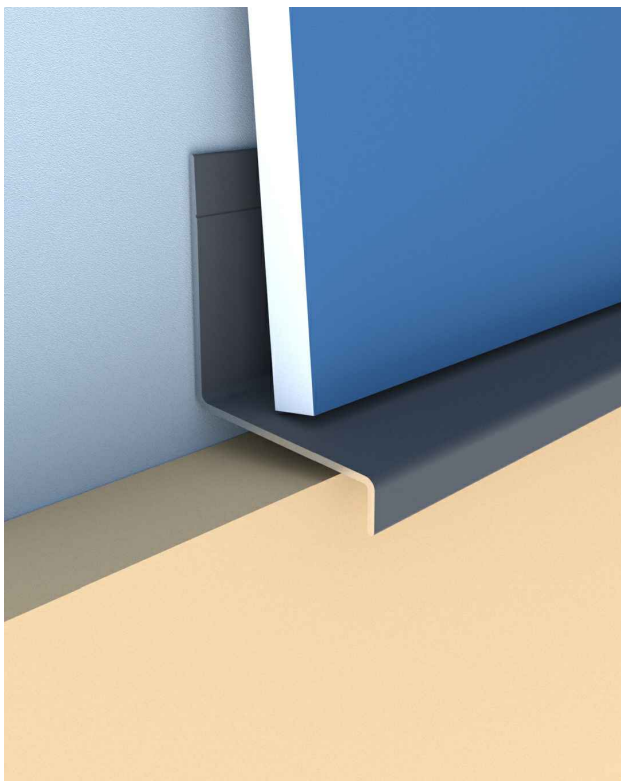
|   |         |         |                |
|---|---------|---------|----------------|
|  | SCALE   | NTS     | DRAWING NUMBER |
|   | DATE    | APR2024 | EZ28.2         |
|   | DRWN BY | HJ/DDG  |                |



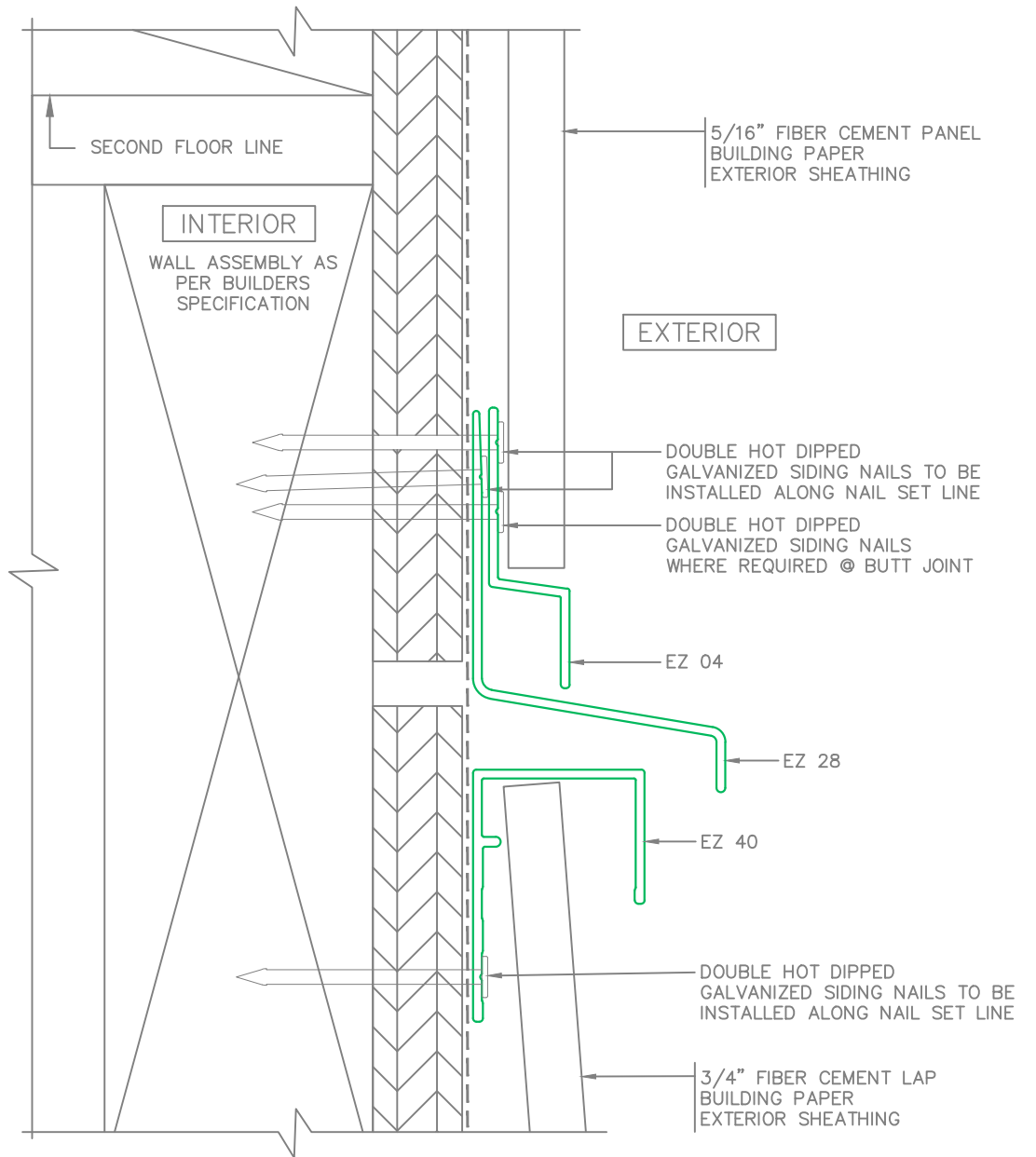
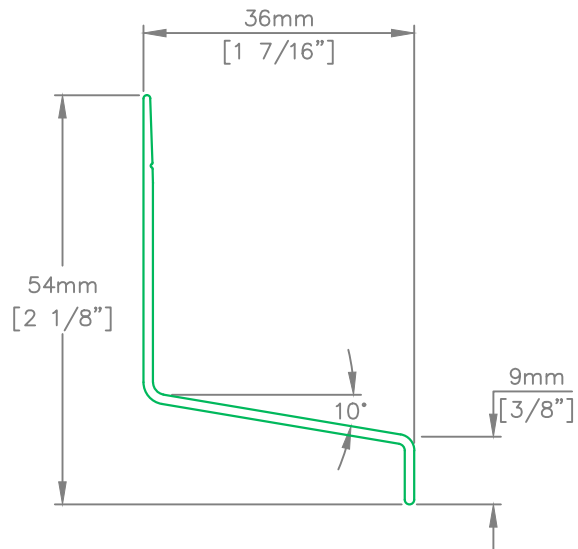
|   |         |         |                |
|---|---------|---------|----------------|
| DESCRIPTION   |         |         |                |
| EZ 28 1-3/8" DRIP CAP FLASHING @ 5/16" PANEL TO 3/4" LAP HORIZONTAL TRANSITION        |         |         |                |
|  | SCALE   | NTS     | DRAWING NUMBER |
|   | DATE    | APR2024 | EZ28.3         |
|   | DRWN BY | HJ/DDG  |                |




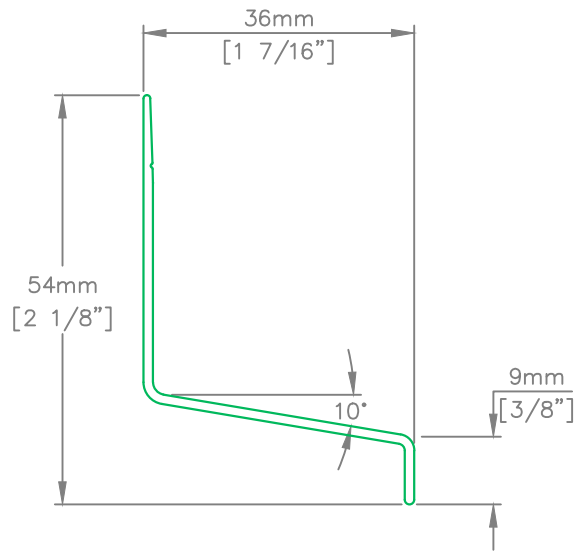
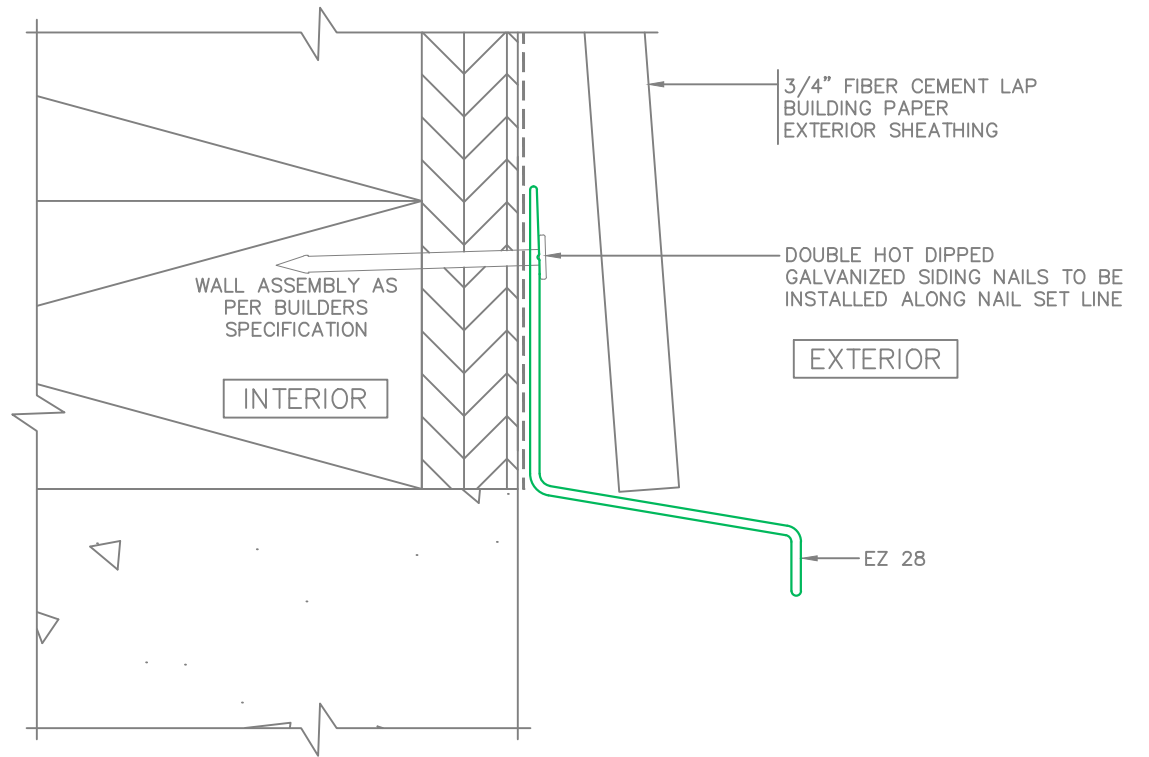
|   |         |         |                |
|---|---------|---------|----------------|
| DESCRIPTION   |         |         |                |
| EZ 28 1-3/8" DRIP CAP FLASHING @ 3/4" LAP TO 5/16" PANEL HORIZONTAL TRANSITION        |         |         |                |
|  | SCALE   | NTS     | DRAWING NUMBER |
|   | DATE    | APR2024 | EZ28.4         |
|   | DRWN BY | HJ/DDG  |                |



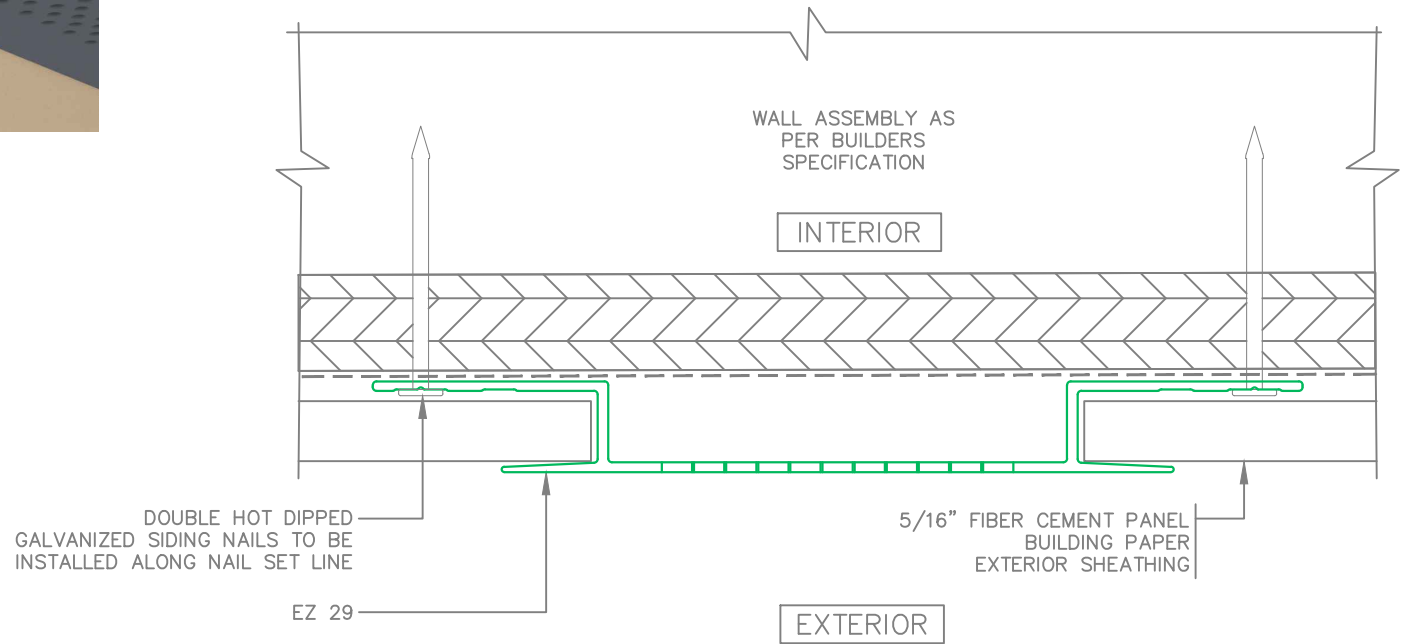
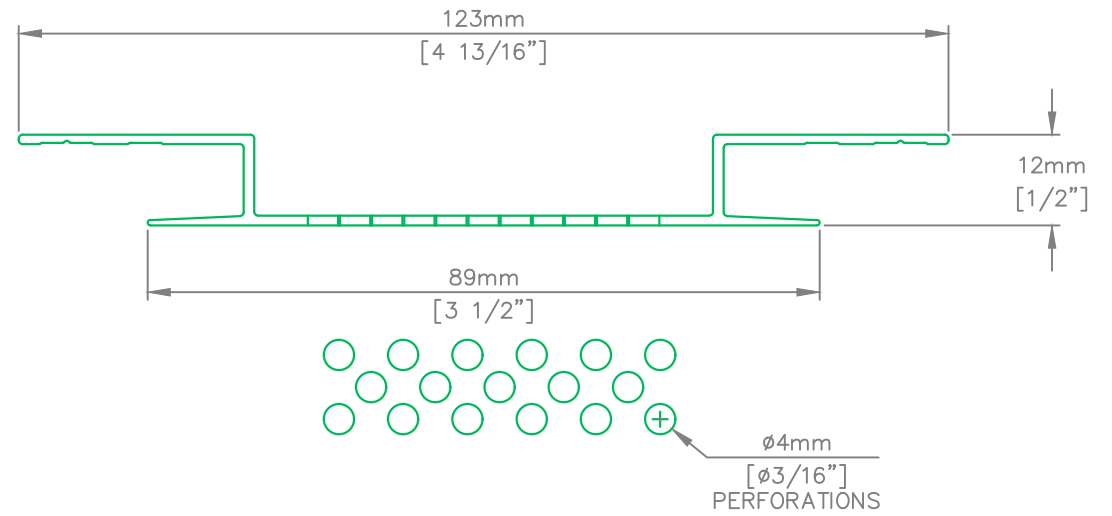
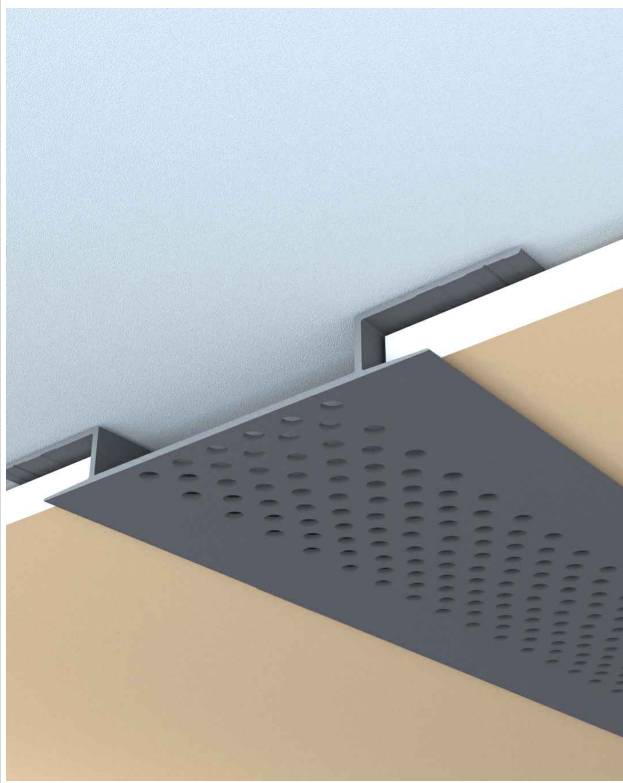
|   |         |         |                |
|---|---------|---------|----------------|
| DESCRIPTION   |         |         |                |
| EZ 28 1-3/8" DRIP CAP FLASHING MID-LAP<br>© ALTERNATE FINISH TRANSITION |         |         |                |
|   | SCALE   | NTS     | DRAWING NUMBER |
|   | DATE    | APR2024 | EZ28.5         |
|   | DRWN BY | HJ/DDG  |                |




| DESCRIPTION   |         |         |                |
|---|---------|---------|----------------|
| EZ 28 1-3/8" DRIP CAP THROUGH WALL FLASHING   |         |         |                |
|  | SCALE   | NTS     | DRAWING NUMBER |
|   | DATE    | APR2024 | EZ28.6         |
|   | DRWN BY | HJ/DDG  |                |



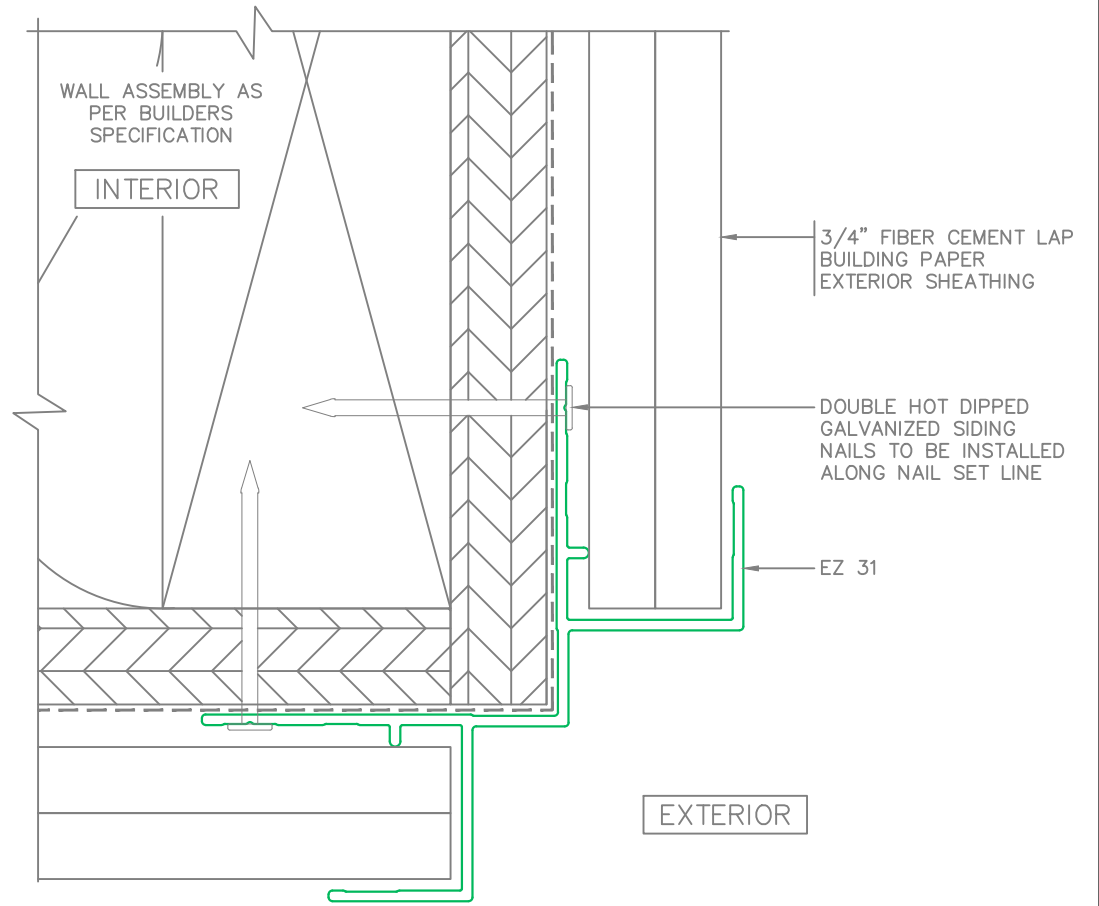
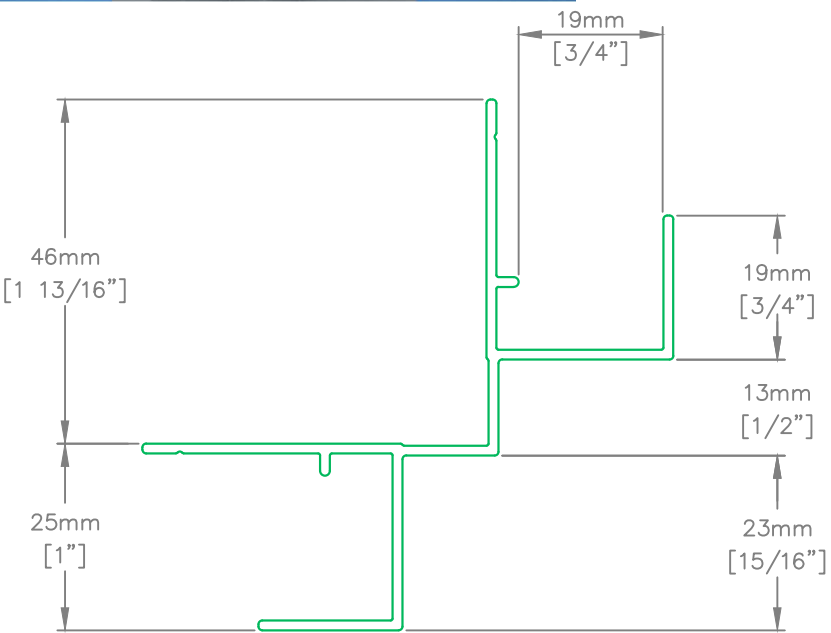
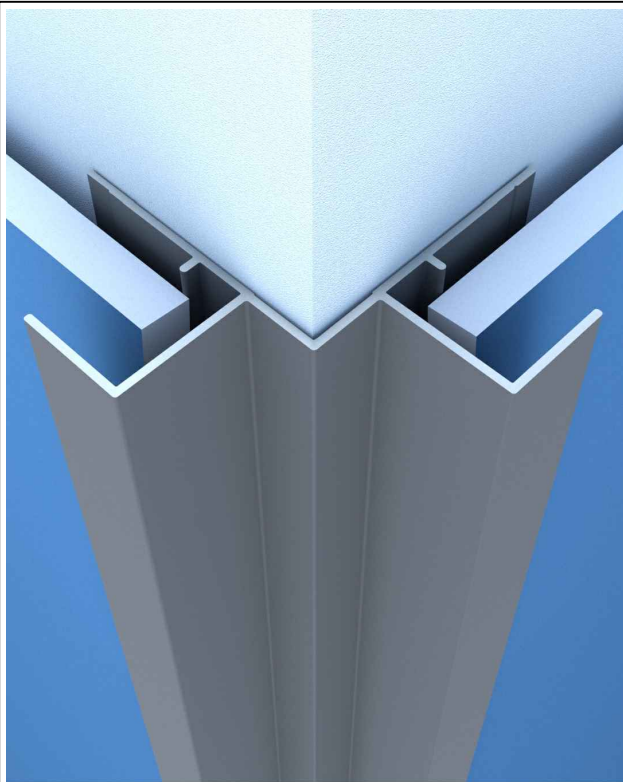
|   |         |         |                |
|---|---------|---------|----------------|
| DESCRIPTION   |         |         |                |
| EZ 28 1-3/8" DRIP CAP FLASHING<br>© SLOPED FLOOR LINE |         |         |                |
|   | SCALE   | NTS     | DRAWING NUMBER |
|   | DATE    | APR2024 | EZ28.7         |
|   | DRWN BY | HJ/DDG  |                |



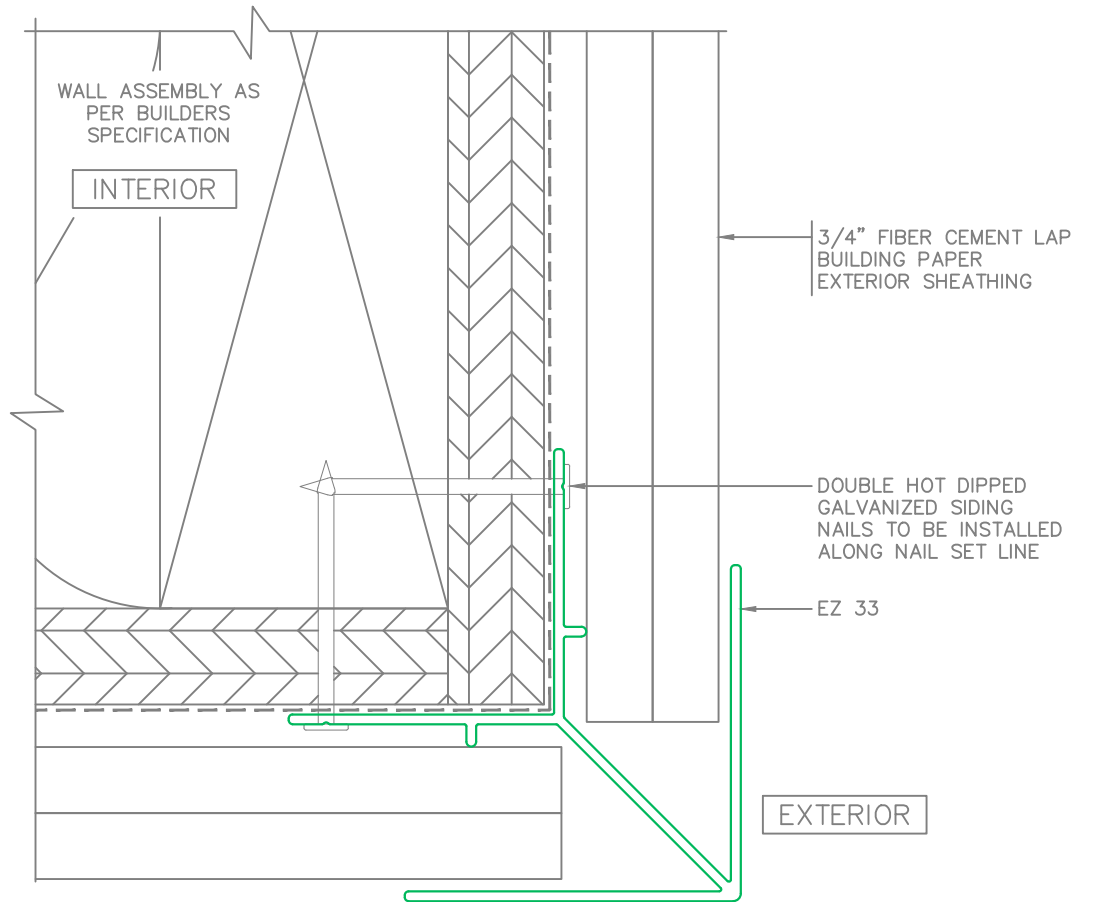
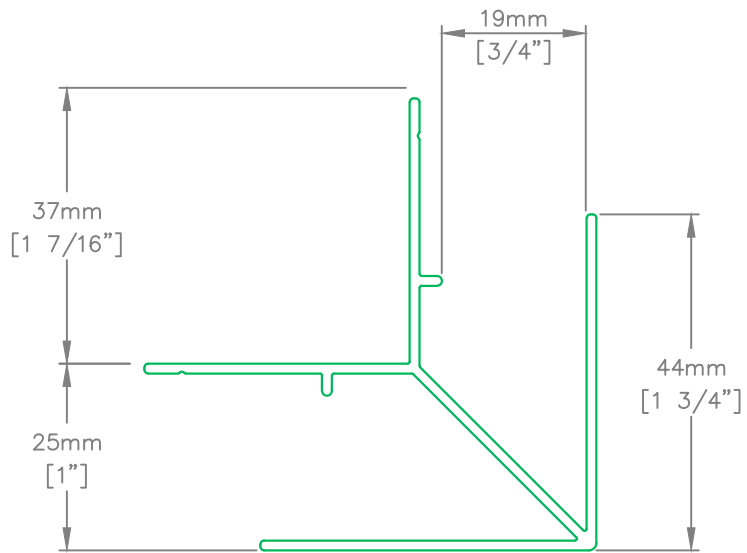
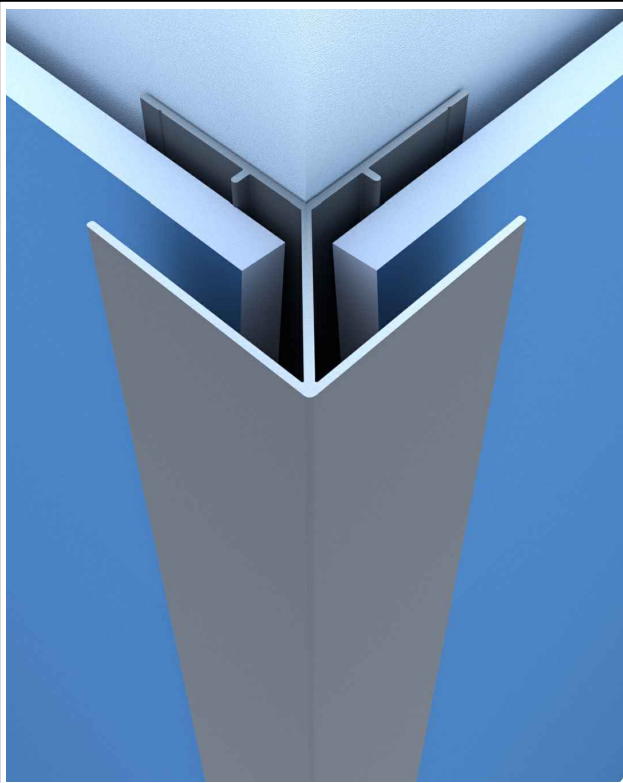
7.7 in<sup>2</sup>/ LIN FT  
163.3 cm<sup>2</sup>/ LIN m  
NET FREE AIR SPACE


|   |         |         |                |
|---|---------|---------|----------------|
| DESCRIPTION   |         |         |                |
| EZ 29 PERFORATED SOFFIT<br>5/16" TRIM   |         |         |                |
|  | SCALE   | NTS     | DRAWING NUMBER |
|   | DATE    | APR2024 | EZ29.1         |
|   | DRWN BY | HJ/DDG  |                |

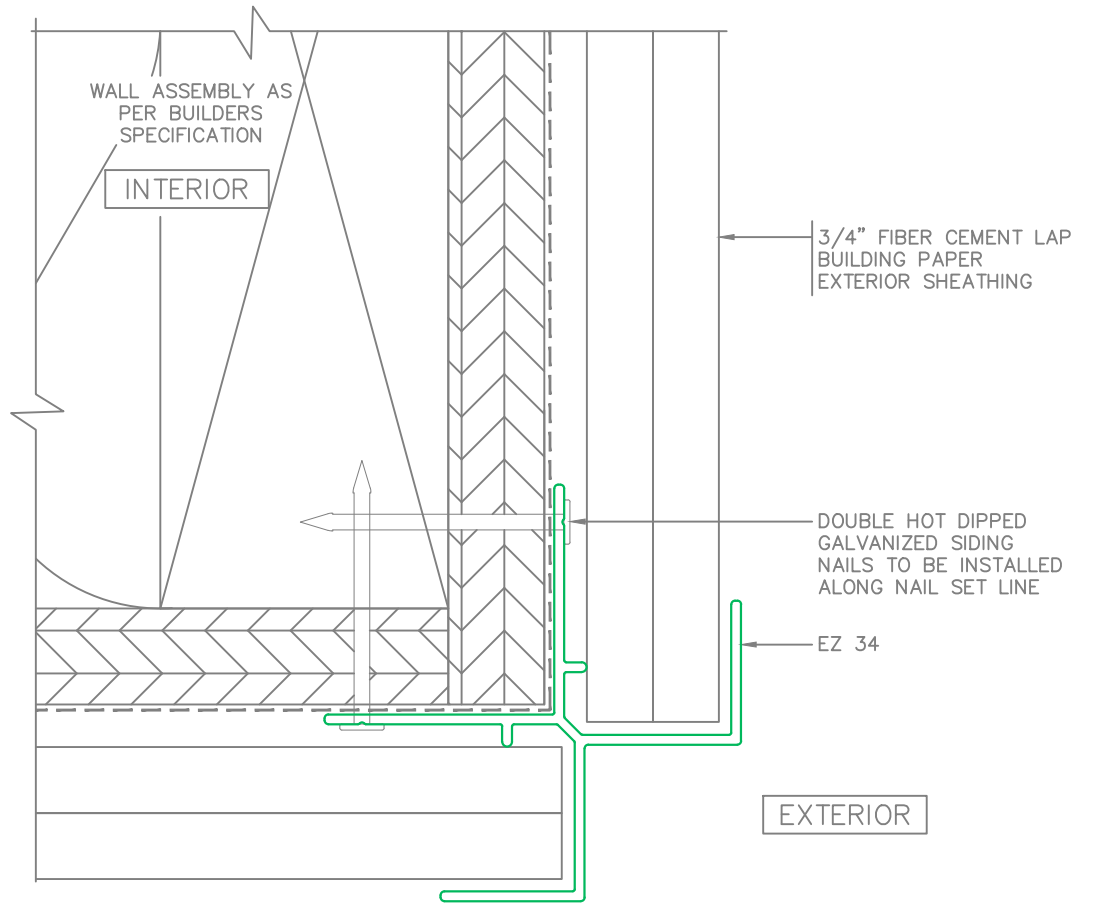
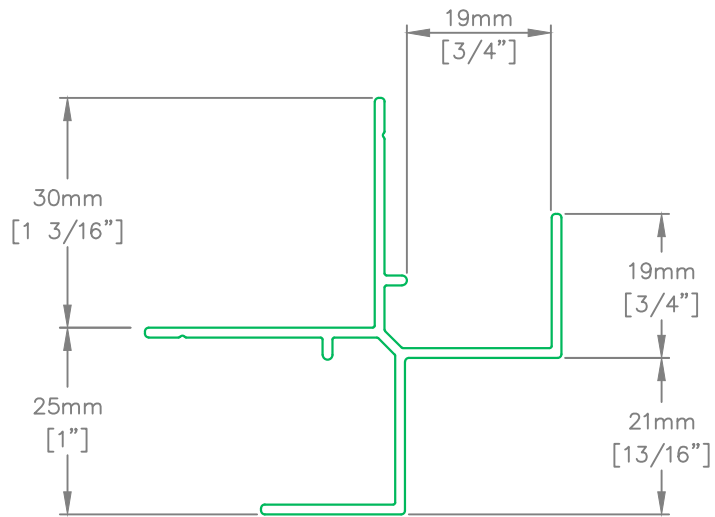
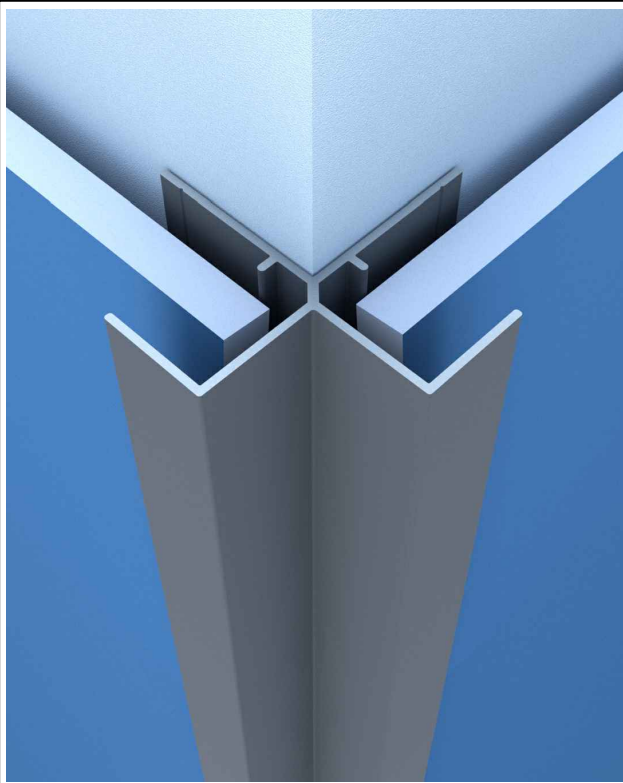





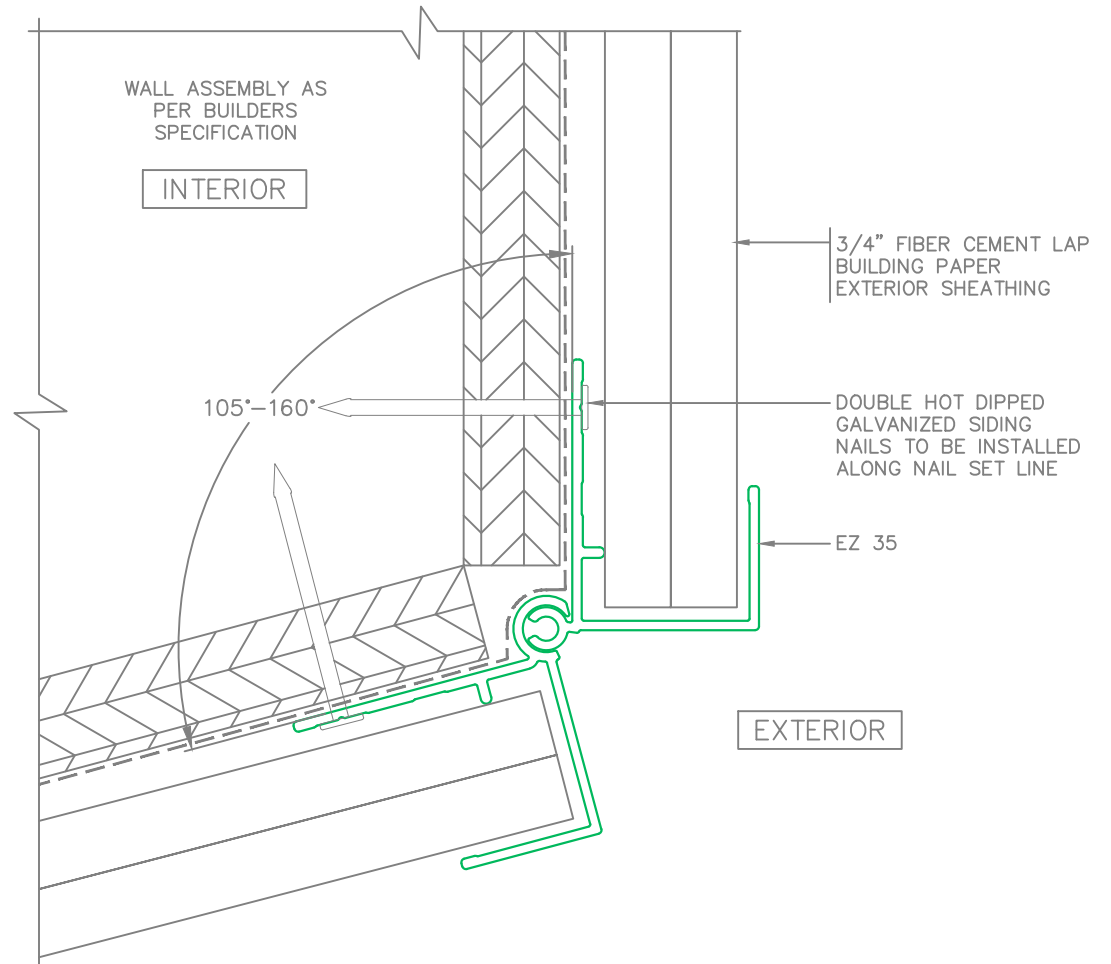
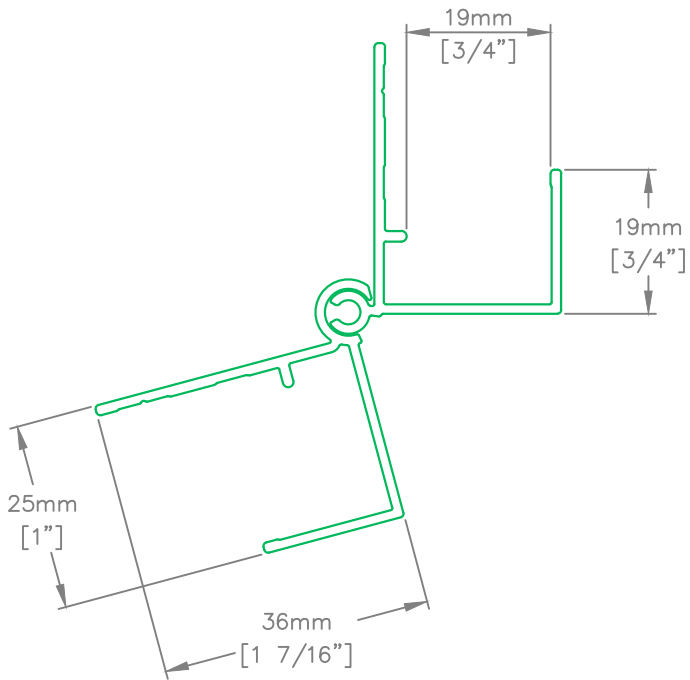
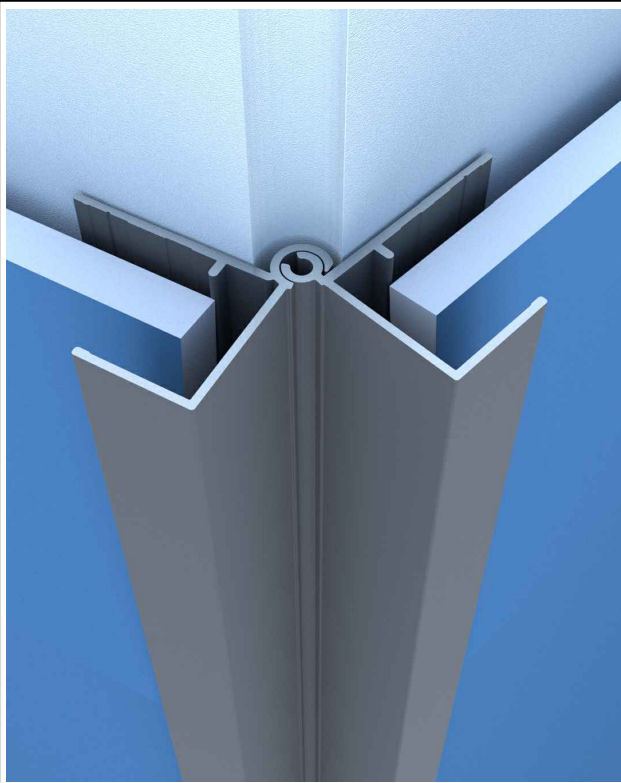
|  |         |         |                |
|--|---------|---------|----------------|
| DESCRIPTION                              |         |         |                |
| EZ 31 SQUARE OUTSIDE CORNER<br>3/4" TRIM |         |         |                |
|  | SCALE   | NTS     | DRAWING NUMBER |
|  | DATE    | APR2024 | EZ31.1         |
|  | DRWN BY | HJ/DDG  |                |




|   |         |         |                |
|---|---------|---------|----------------|
| DESCRIPTION   |         |         |                |
| EZ 33 ARROW OUTSIDE CORNER<br>3/4" TRIM   |         |         |                |
|  | SCALE   | NTS     | DRAWING NUMBER |
|   | DATE    | APR2024 | EZ33.1         |
|   | DRWN BY | HJ/DDG  |                |

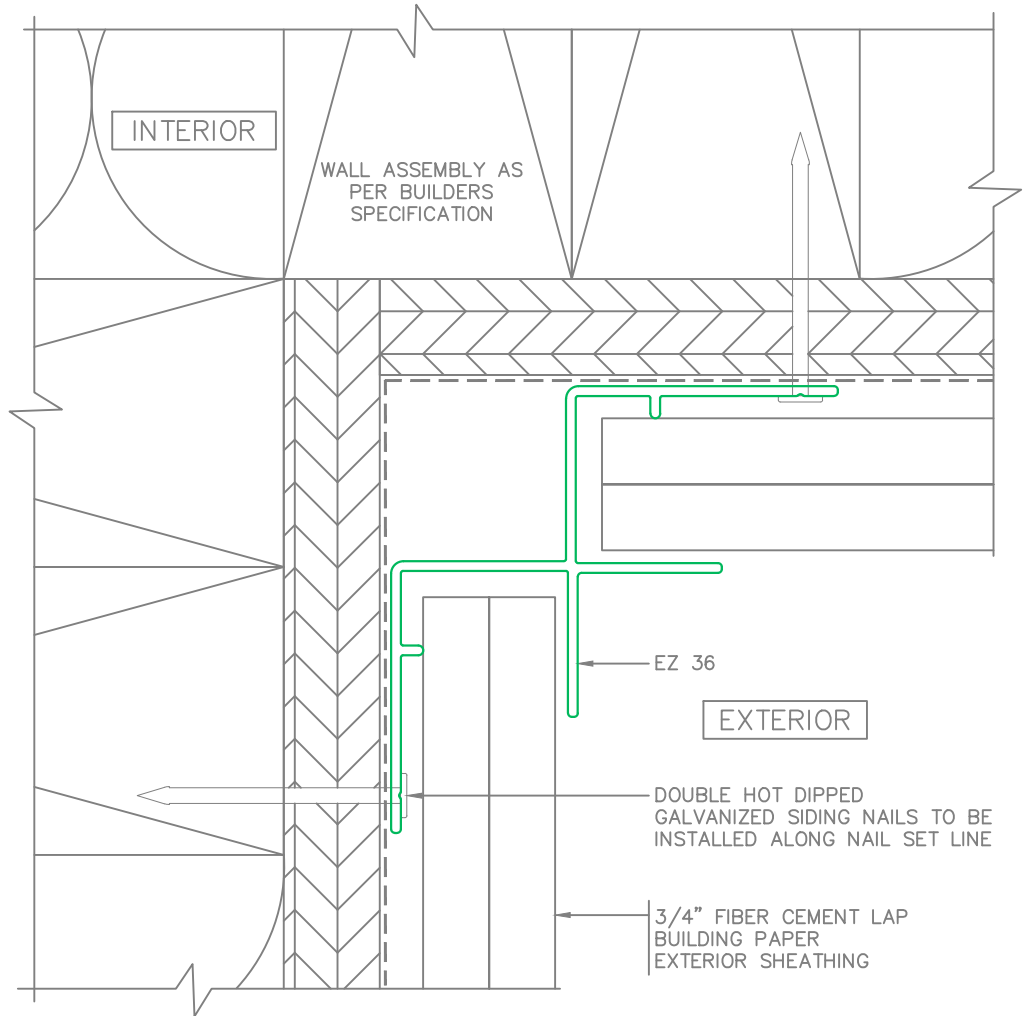
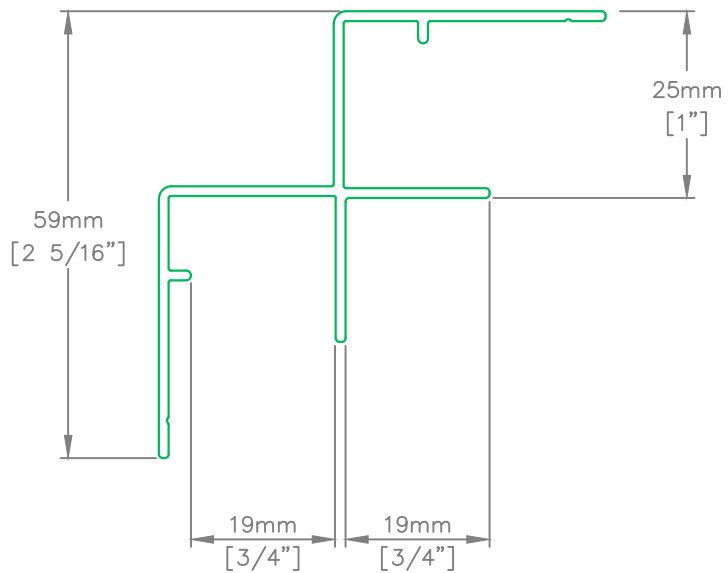
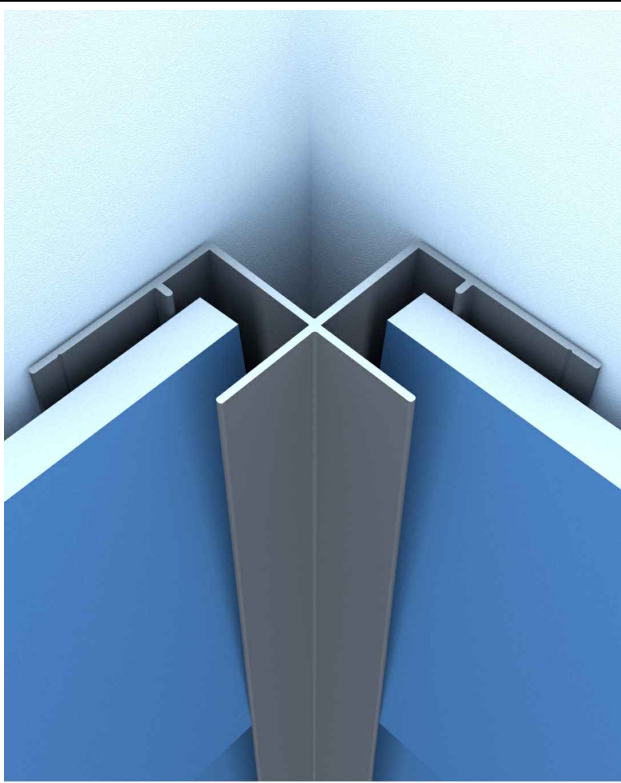



|   |         |         |                |
|---|---------|---------|----------------|
| DESCRIPTION   |         |         |                |
| EZ 34 X OUTSIDE CORNER<br>3/4" TRIM   |         |         |                |
|  | SCALE   | NTS     | DRAWING NUMBER |
|   | DATE    | APR2024 | EZ34.1         |
|   | DRWN BY | HJ/DDG  |                |

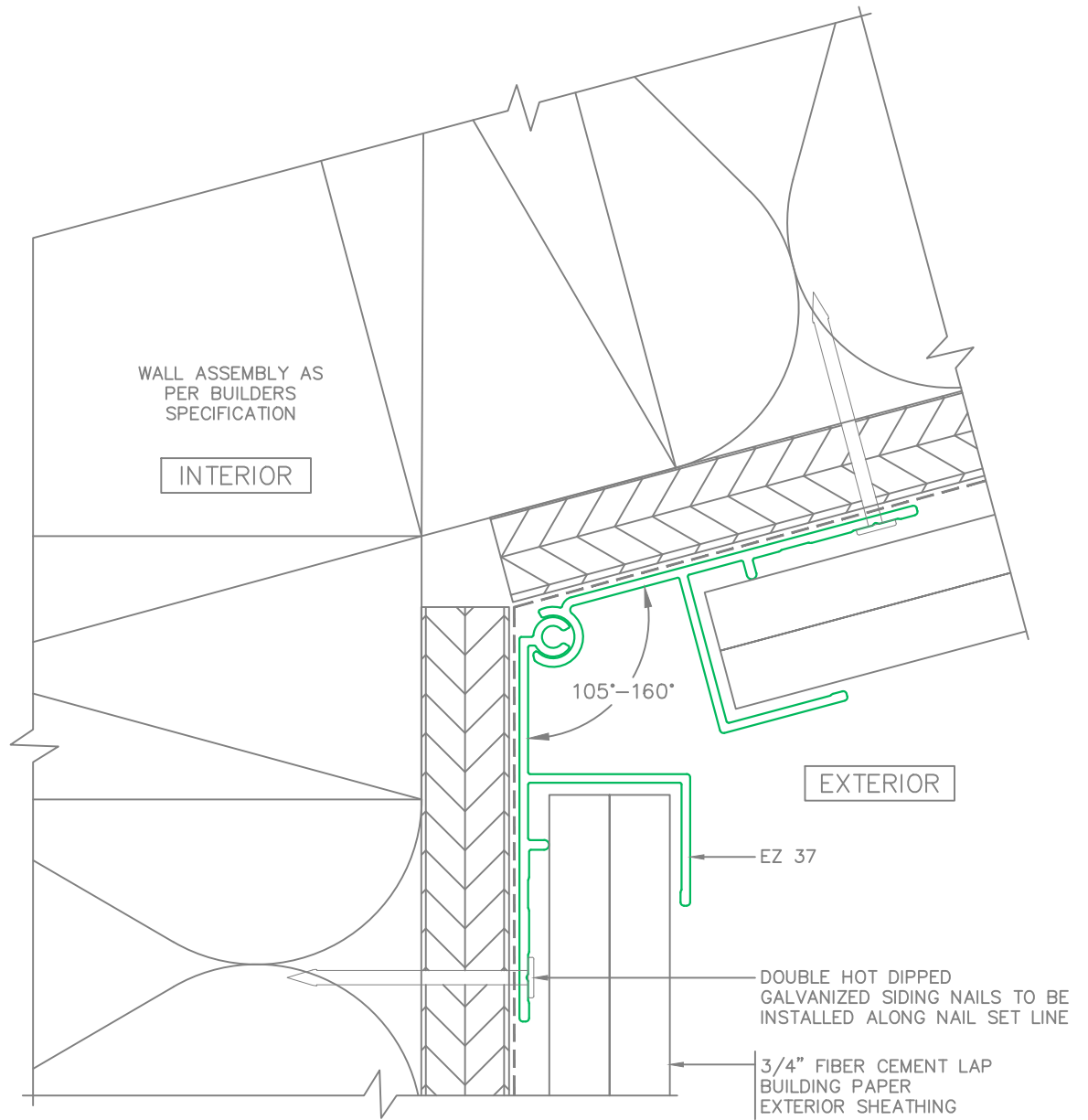
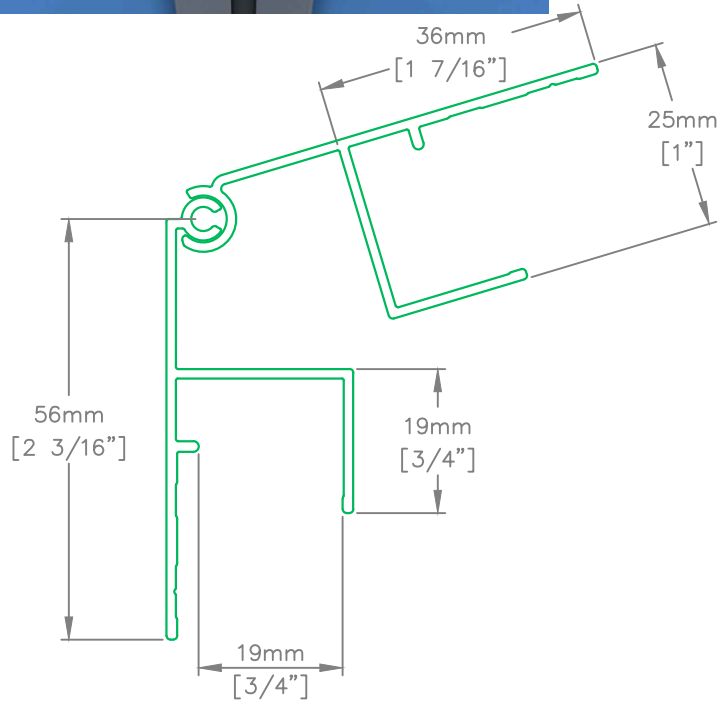
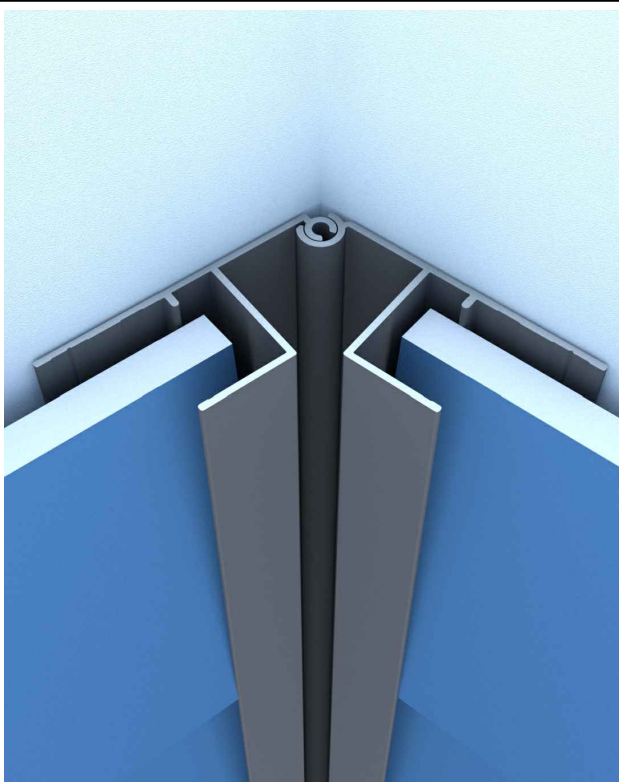



DESCRIPTION  
 EZ 35 MULTI-ANGLE (105°-160°) OUTSIDE  
 CORNER 3/4" TRIM

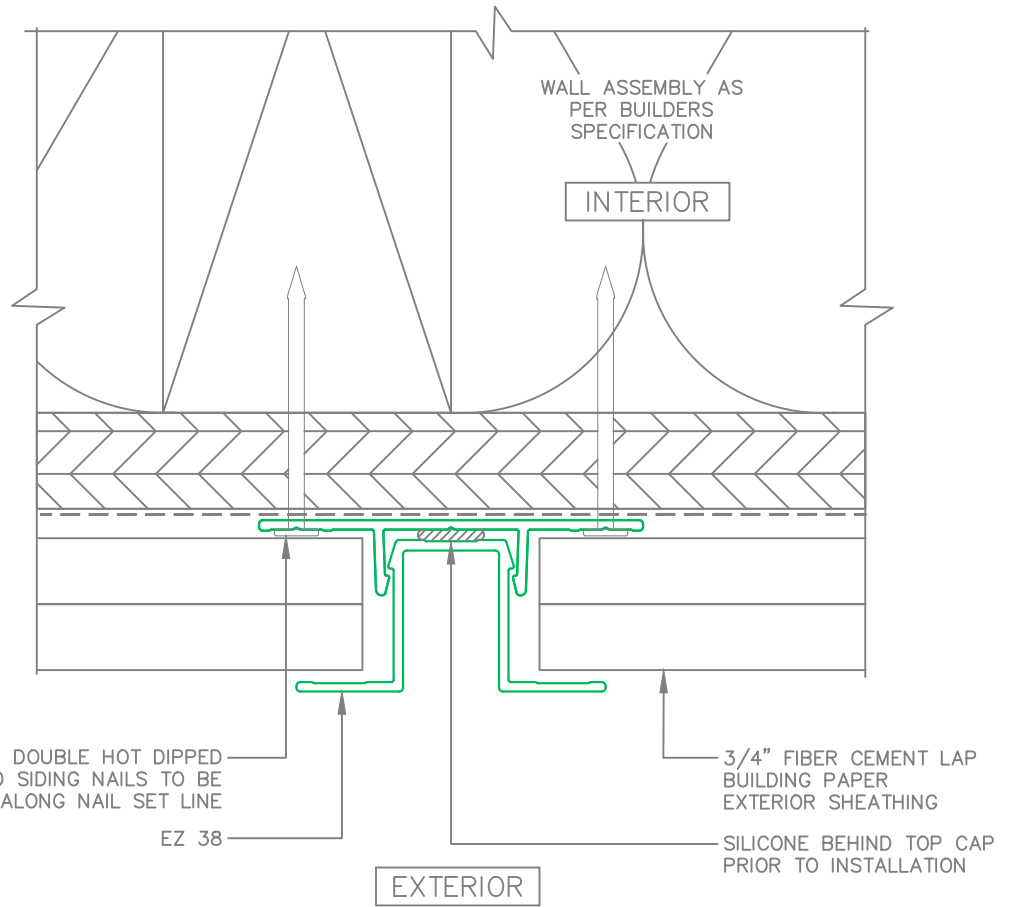
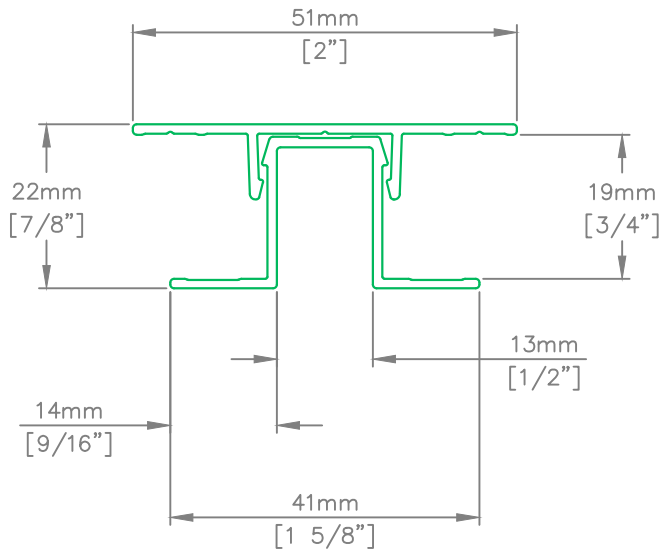
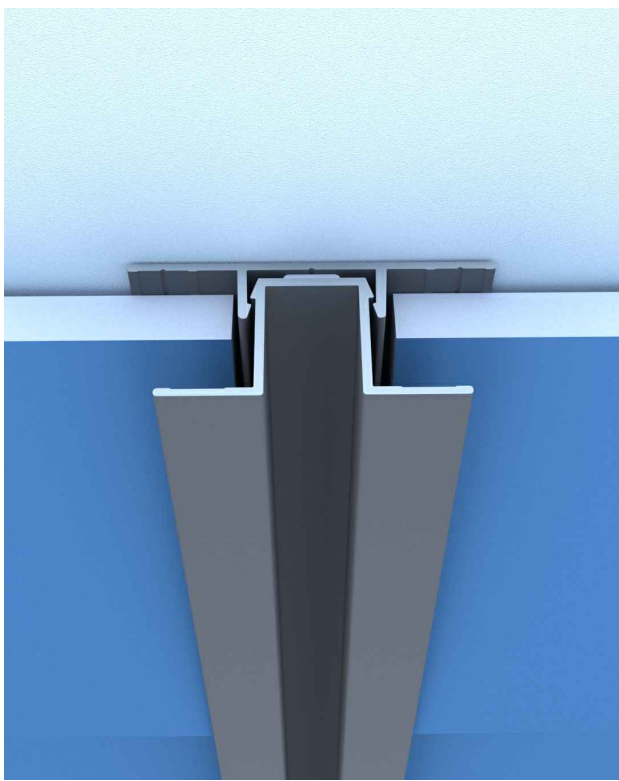
|   |         |         |                |
|---|---------|---------|----------------|
|  | SCALE   | NTS     | DRAWING NUMBER |
|   | DATE    | APR2024 | EZ35.1         |
|   | DRWN BY | HJ/DDG  |                |



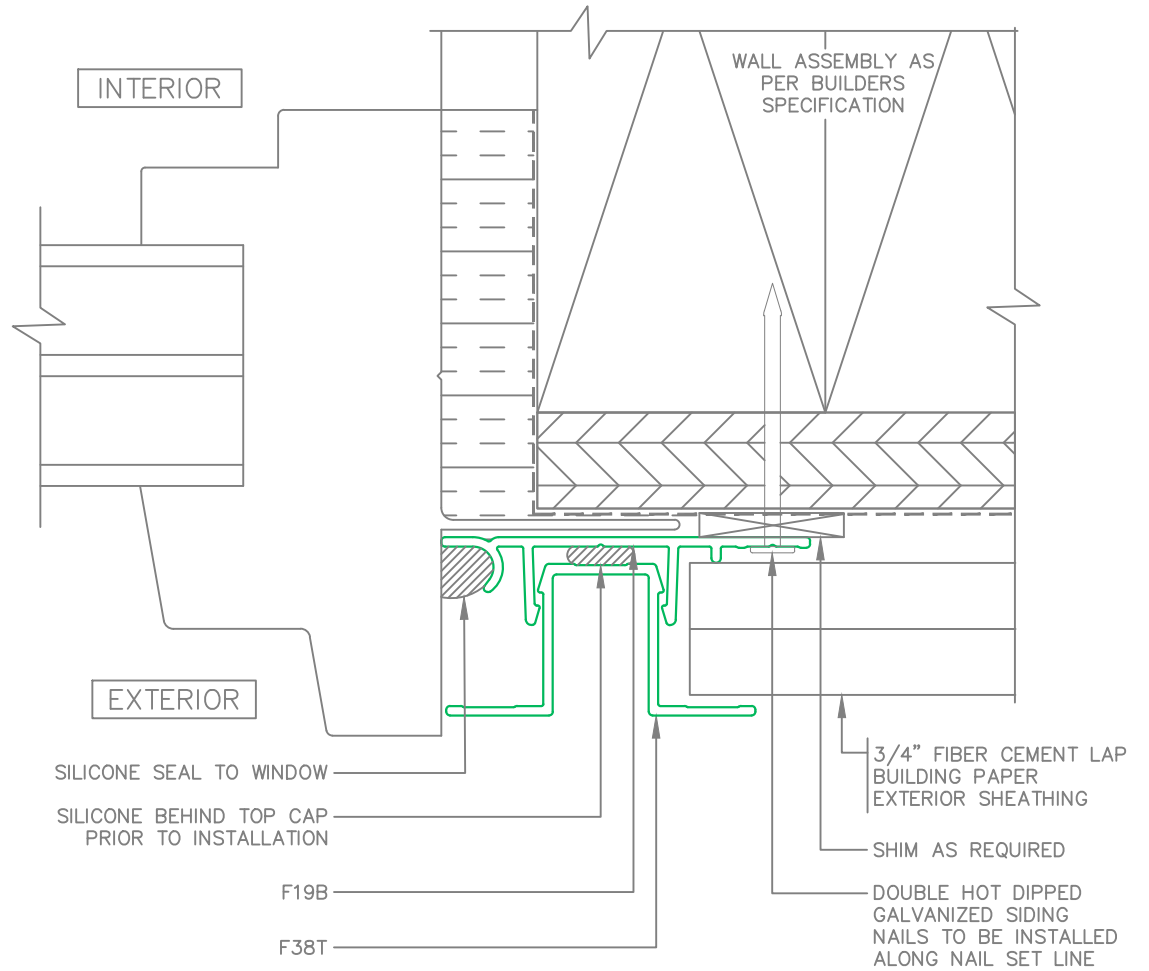
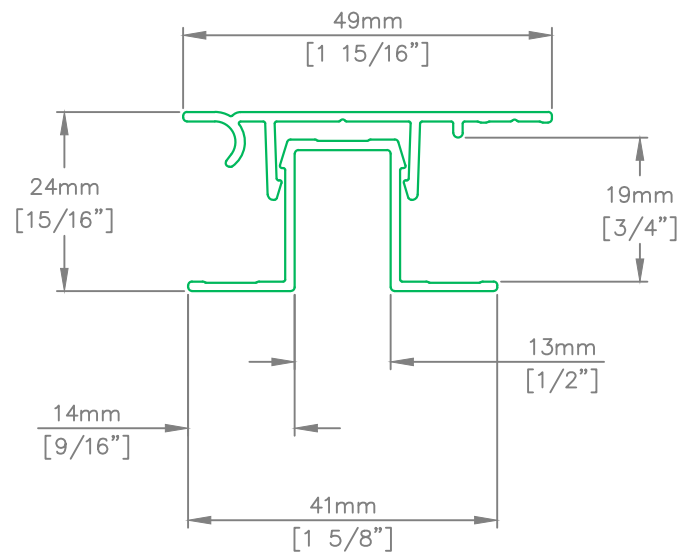
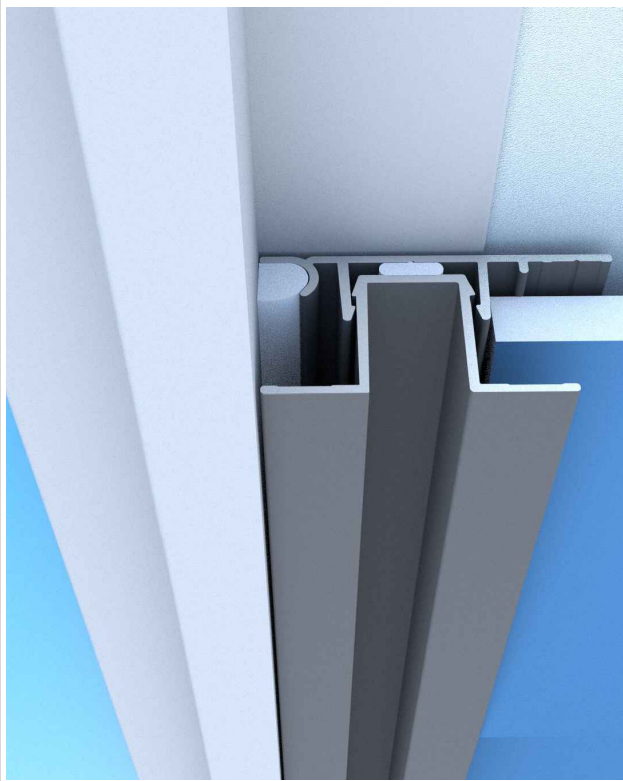
|   |         |         |                |
|---|---------|---------|----------------|
| DESCRIPTION   |         |         |                |
| EZ 36 INSIDE CORNER<br>3/4" TRIM  |         |         |                |
|  | SCALE   | NTS     | DRAWING NUMBER |
|   | DATE    | APR2024 | EZ36.1         |
|   | DRWN BY | HJ/DDG  |                |




|   |         |         |                |
|---|---------|---------|----------------|
| DESCRIPTION   |         |         |                |
| EZ 37 MULTI-ANGLE (105°-160°) INSIDE CORNER 3/4" TRIM                                 |         |         |                |
|  | SCALE   | NTS     | DRAWING NUMBER |
|   | DATE    | APR2024 | EZ37.1         |
|   | DRWN BY | HJ/DDG  |                |

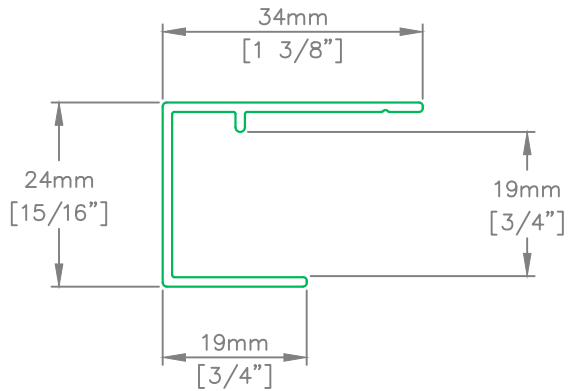
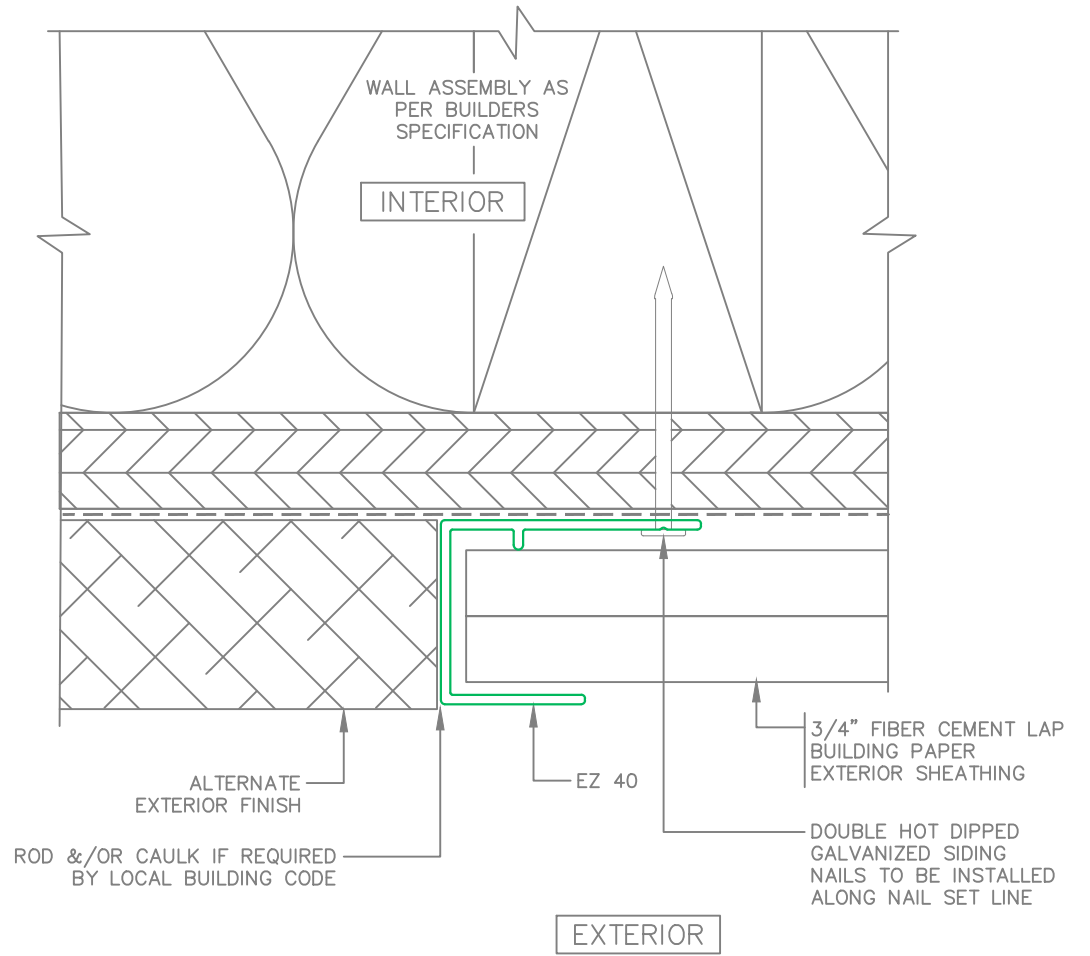
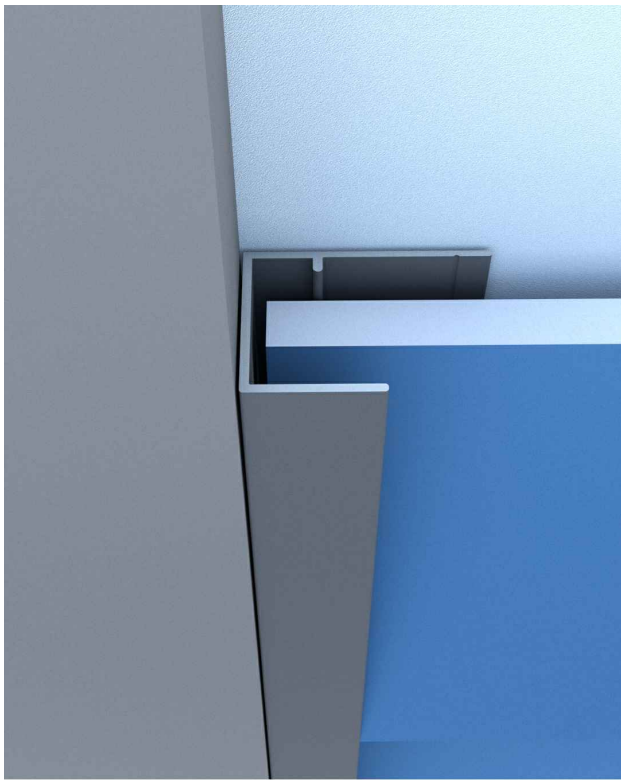



|                                     |         |         |                |
|-------------------------------------|---------|---------|----------------|
| DESCRIPTION                         |         |         |                |
| EZ 38 2-PIECE VERTICAL<br>3/4" TRIM |         |         |                |
|                                     | SCALE   | NTS     | DRAWING NUMBER |
|                                     | DATE    | APR2024 | EZ38.1         |
|                                     | DRWN BY | HJ/DDG  |                |

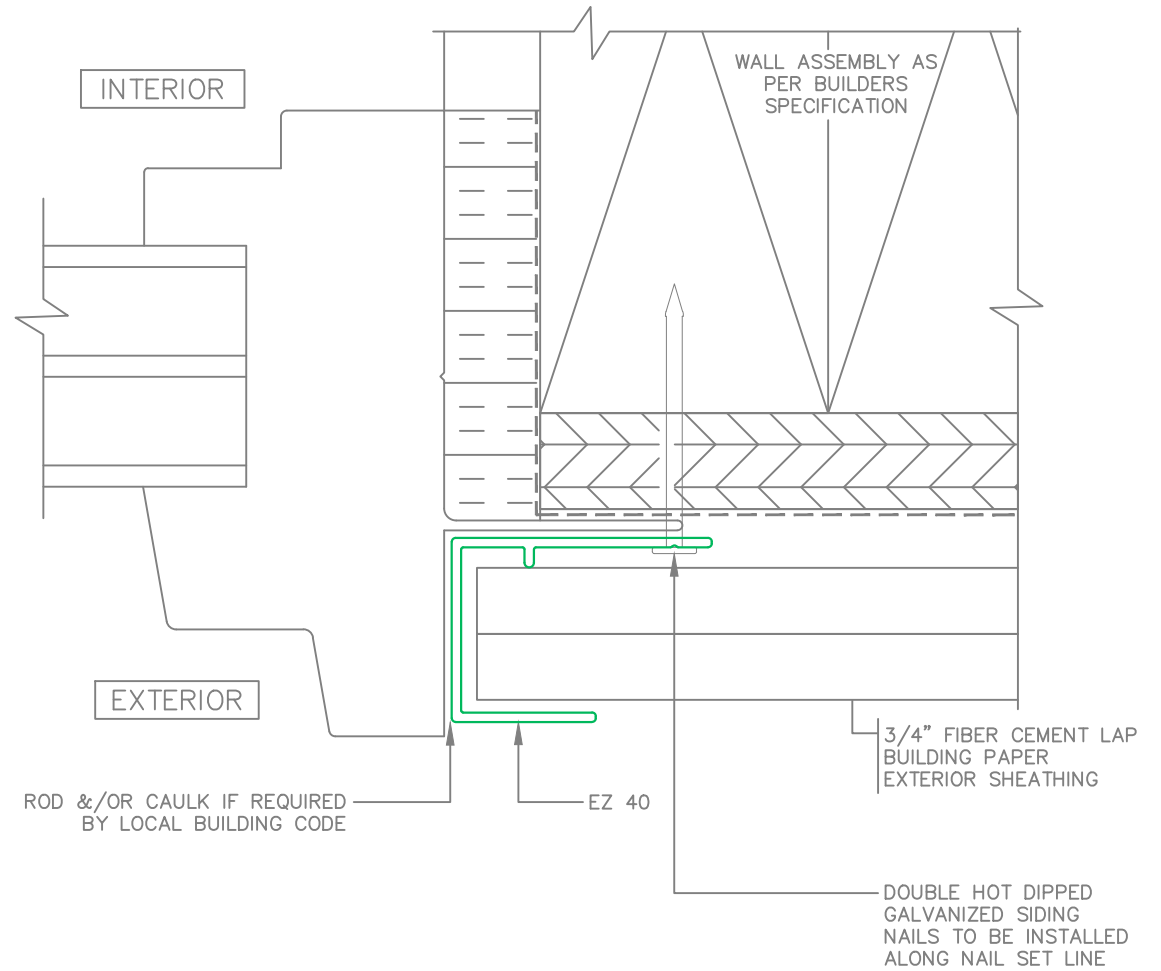
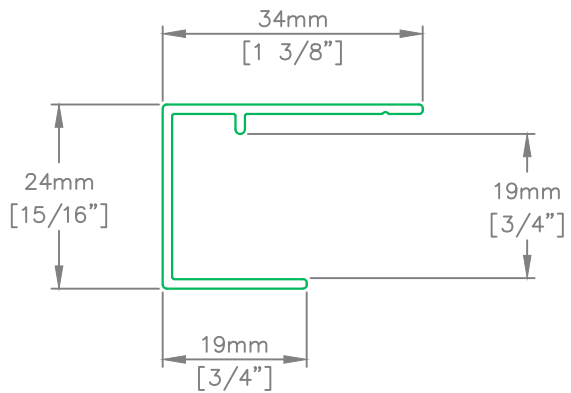
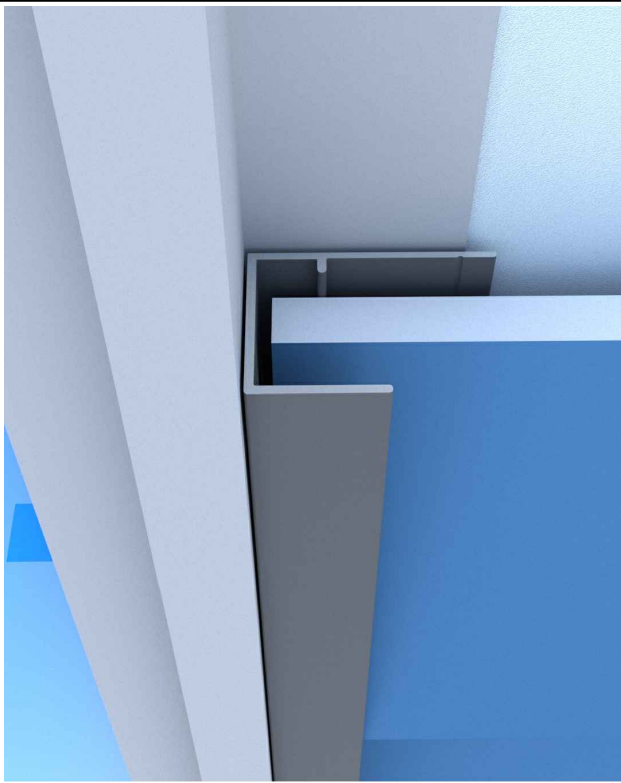



|   |         |         |                |
|---|---------|---------|----------------|
| DESCRIPTION   |         |         |                |
| EZ 39 2-PIECE WINDOW JAMB REVEAL<br>3/4" TRIM   |         |         |                |
|  | SCALE   | NTS     | DRAWING NUMBER |
|   | DATE    | APR2024 | EZ39.1         |
|   | DRWN BY | HJ/DDG  |                |

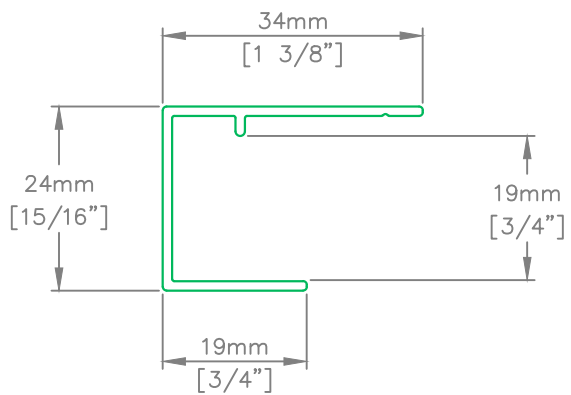
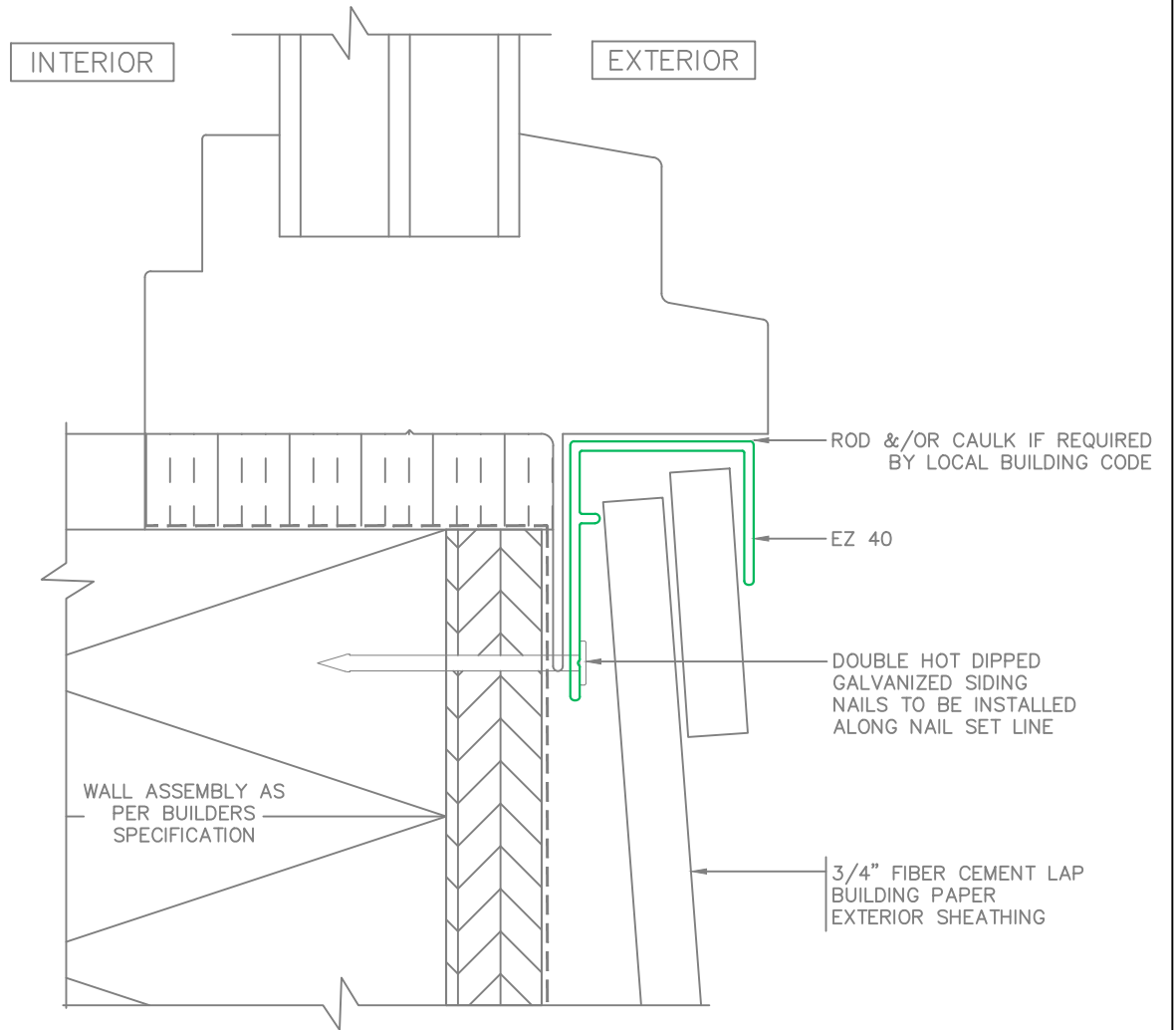




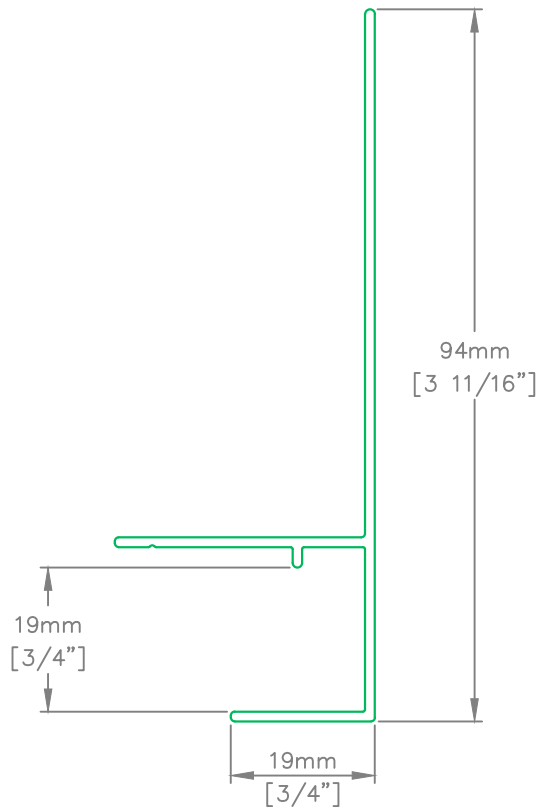
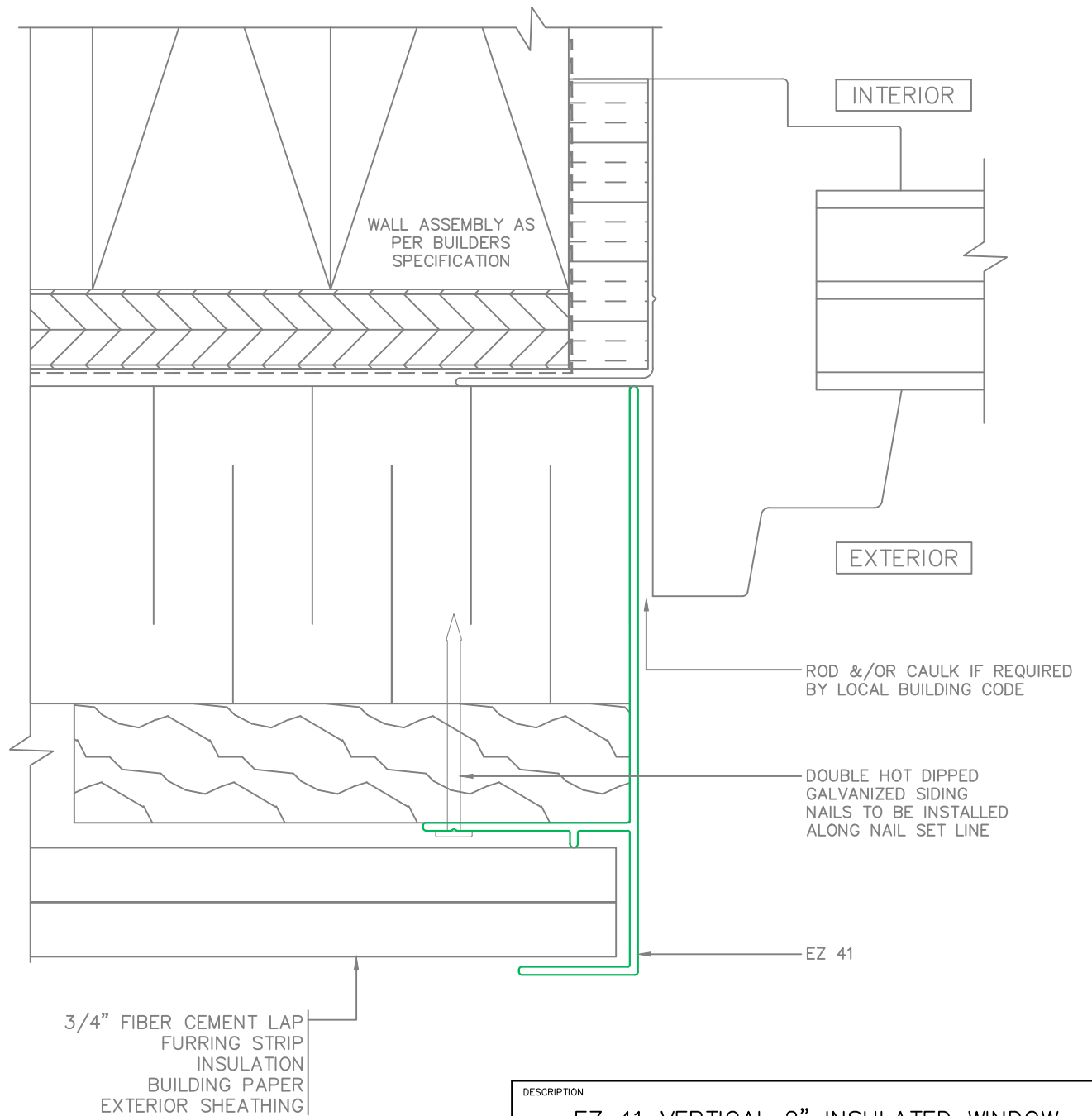
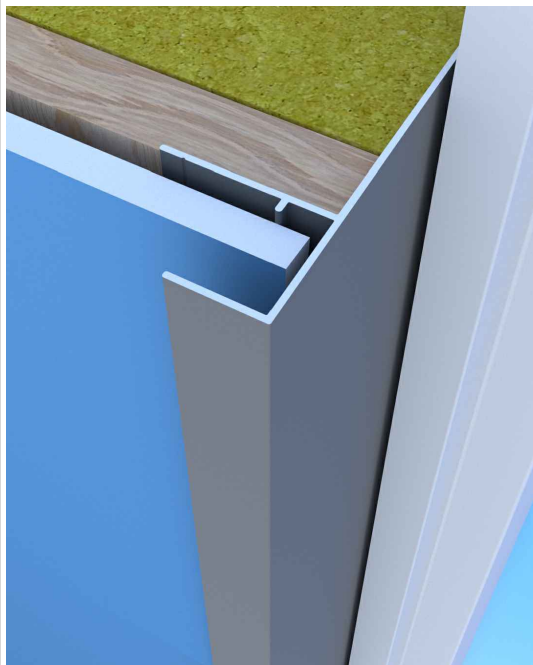
|   |         |         |                |
|---|---------|---------|----------------|
| DESCRIPTION   |         |         |                |
| EZ 40 GENERAL J VERTICAL<br>TERMINATION 3/4" TRIM                                     |         |         |                |
|  | SCALE   | NTS     | DRAWING NUMBER |
|   | DATE    | APR2024 | EZ40.1         |
|   | DRWN BY | HJ/DDG  |                |



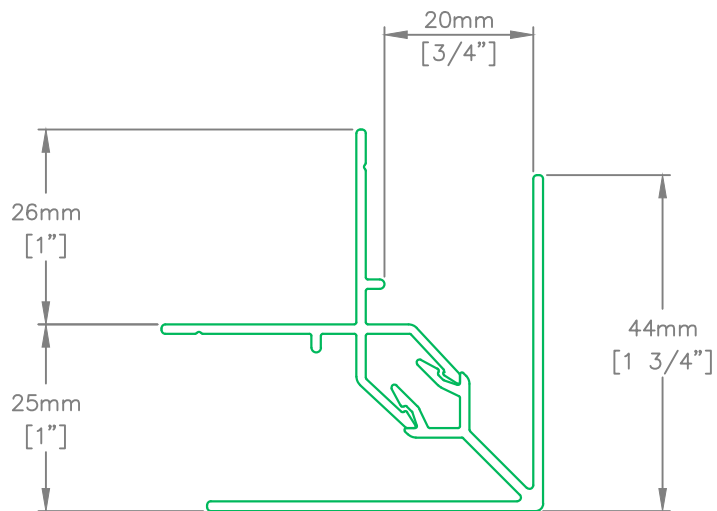
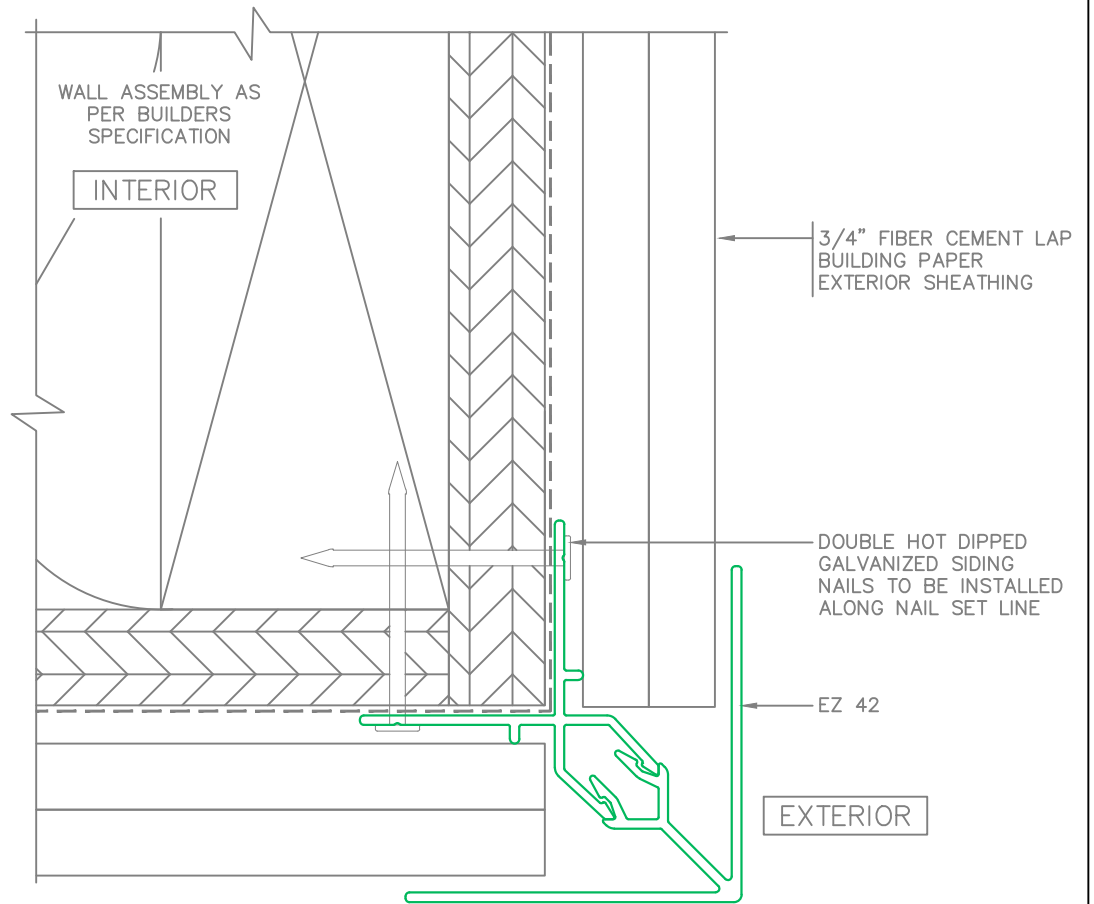
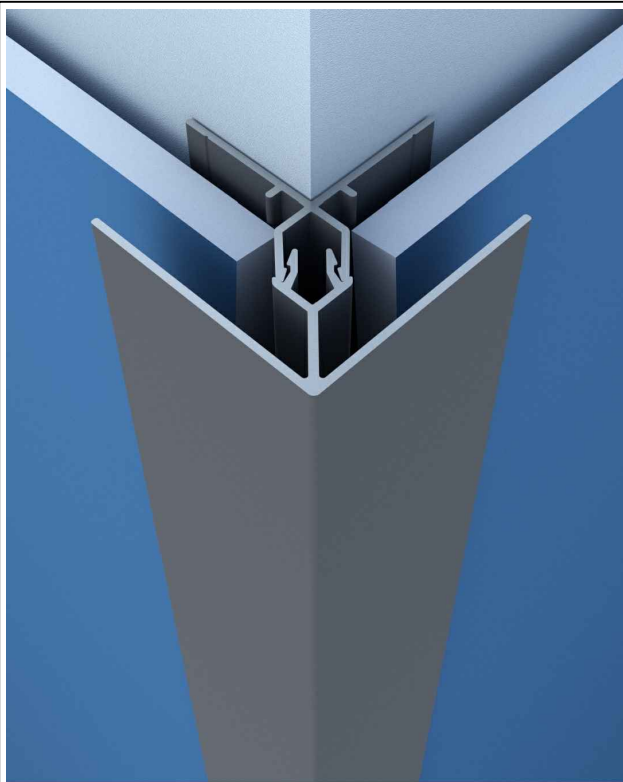
| DESCRIPTION   |         |         |                |
|---|---------|---------|----------------|
| EZ 40 GENERAL J WINDOW JAMB<br>3/4" TRIM  |         |         |                |
|  | SCALE   | NTS     | DRAWING NUMBER |
|   | DATE    | APR2024 | EZ40.2         |
|   | DRWN BY | HJ/DDG  |                |



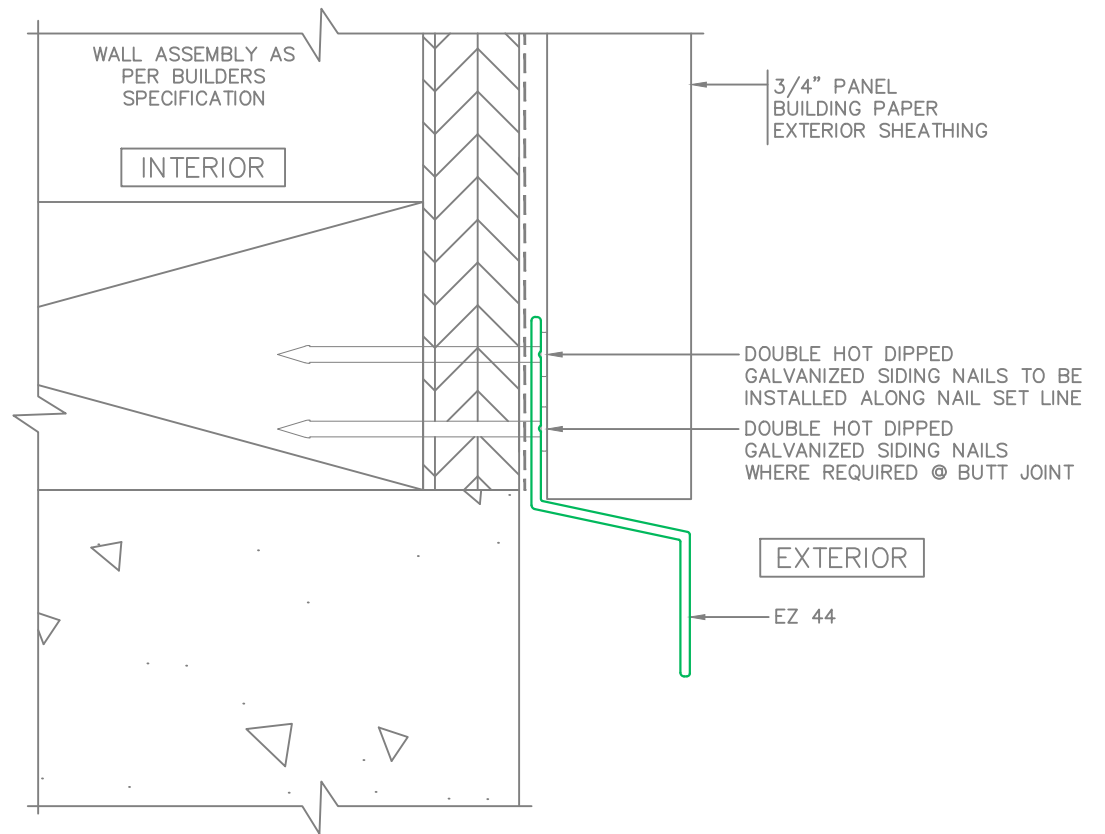
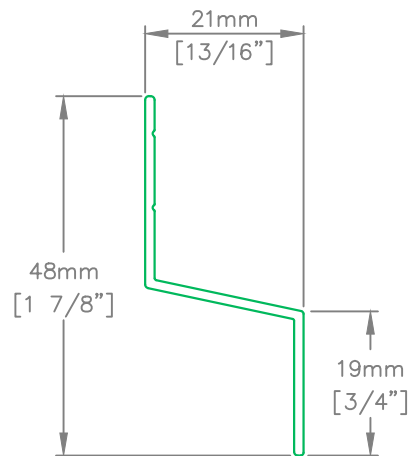
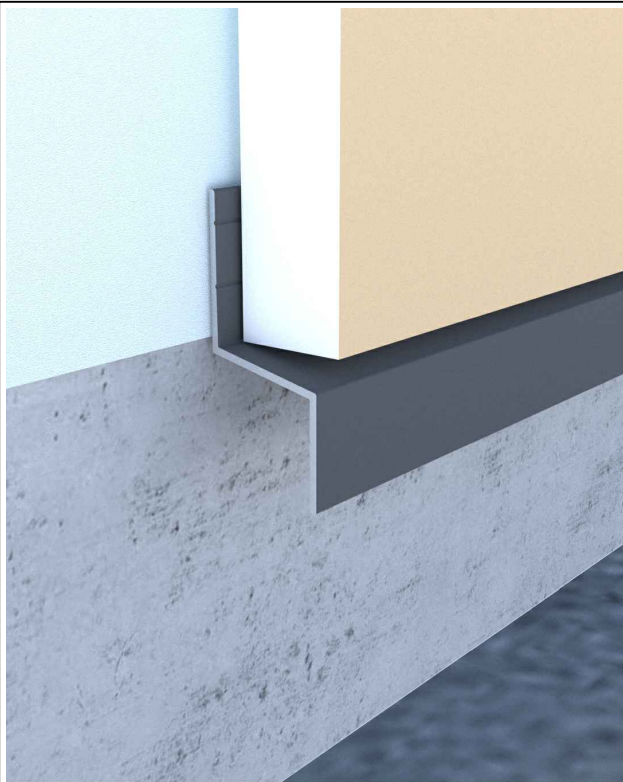
|   |         |         |                |
|---|---------|---------|----------------|
| DESCRIPTION   |         |         |                |
| EZ 40 GENERAL J WINDOW SILL<br>3/4" TRIM  |         |         |                |
|  | SCALE   | NTS     | DRAWING NUMBER |
|   | DATE    | APR2024 | EZ40.3         |
|   | DRWN BY | HJ/DDG  |                |



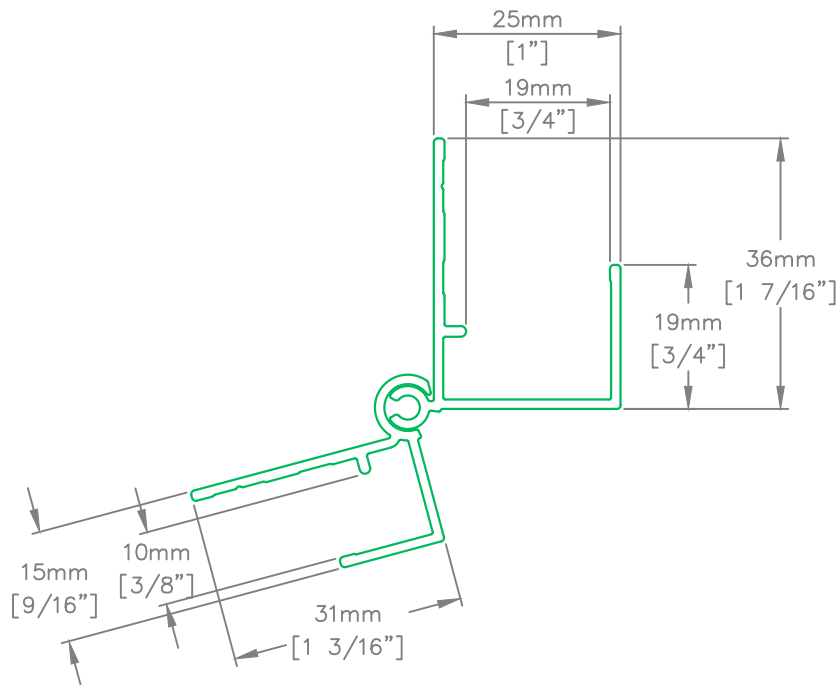
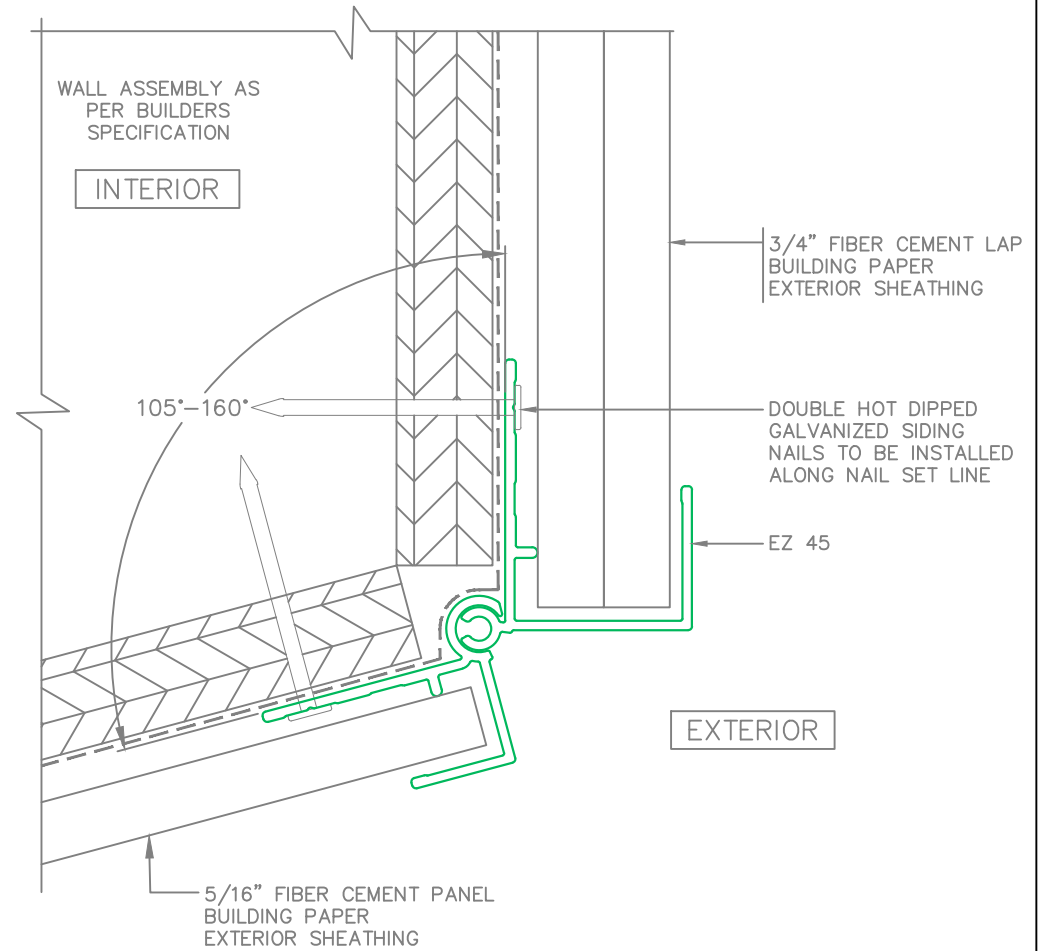
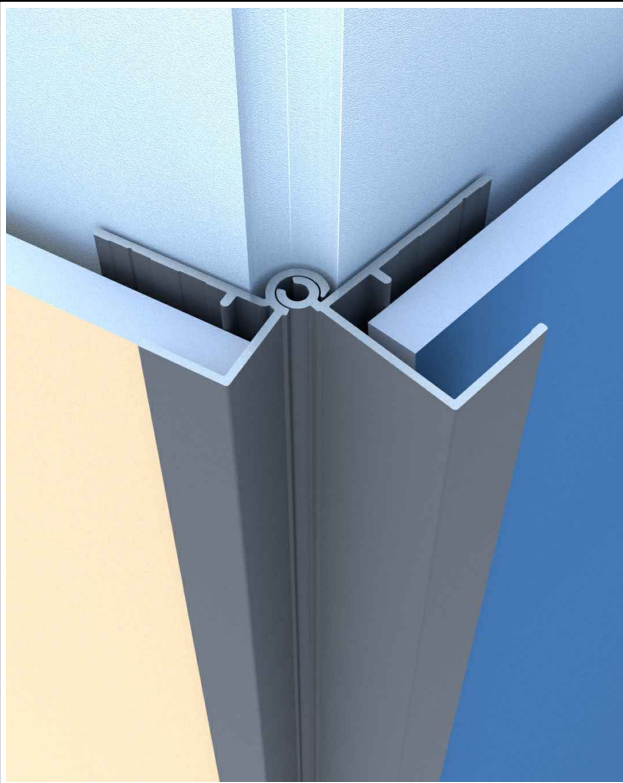
|  |         |         |                |
|--|---------|---------|----------------|
| DESCRIPTION  |         |         |                |
| EZ 41 VERTICAL 2" INSULATED WINDOW & DOOR JAMB 3/4" TRIM |         |         |                |
|  | SCALE   | NTS     | DRAWING NUMBER |
|  | DATE    | APR2024 | EZ41.1         |
|  | DRWN BY | HJ/DDG  |                |




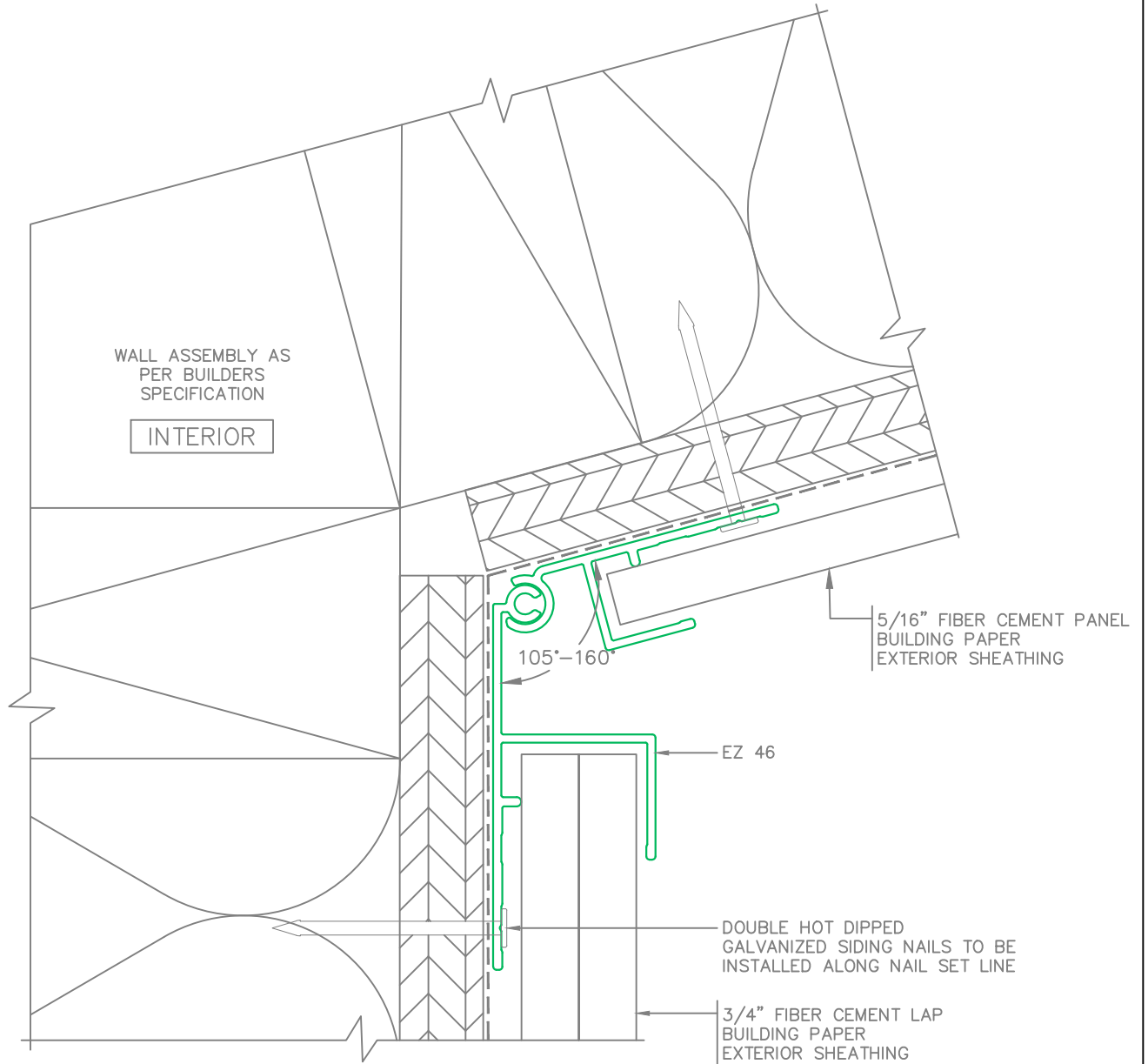
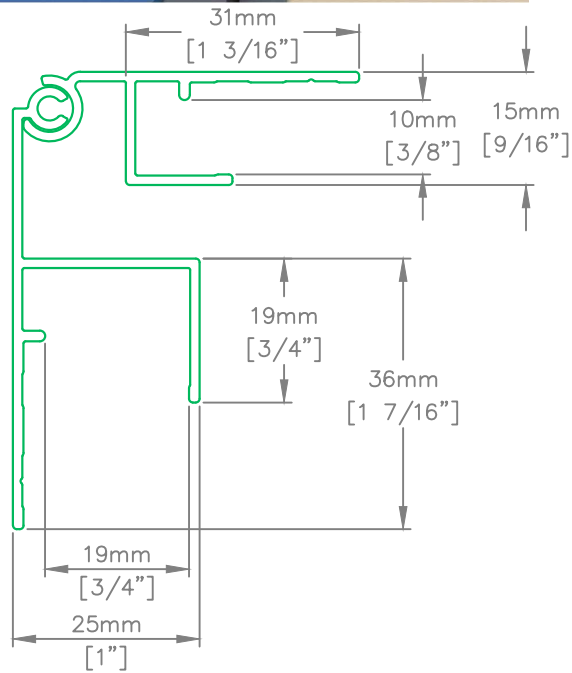
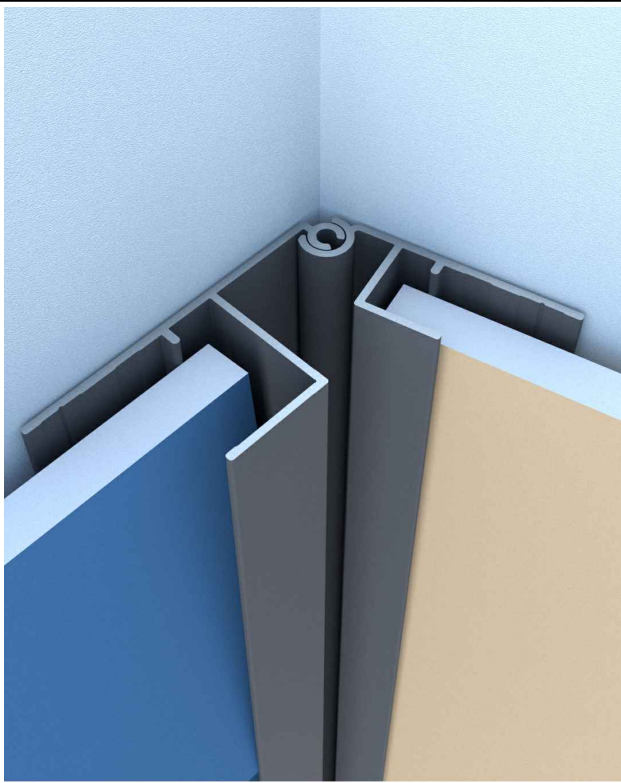
|   |         |         |                |
|---|---------|---------|----------------|
| DESCRIPTION                                     |         |         |                |
| EZ 42 2-PIECE ARROW OUTSIDE CORNER<br>3/4" TRIM |         |         |                |
|   | SCALE   | NTS     | DRAWING NUMBER |
|   | DATE    | APR2024 | EZ42.1         |
|   | DRWN BY | HJ/DDG  |                |



|                              |         |         |                |
|------------------------------|---------|---------|----------------|
| DESCRIPTION                  |         |         |                |
| EZ 44 HORIZONTAL Z 3/4" TRIM |         |         |                |
|                              | SCALE   | NTS     | DRAWING NUMBER |
|                              | DATE    | APR2024 | EZ44.1         |
|                              | DRWN BY | HJ/DDG  |                |

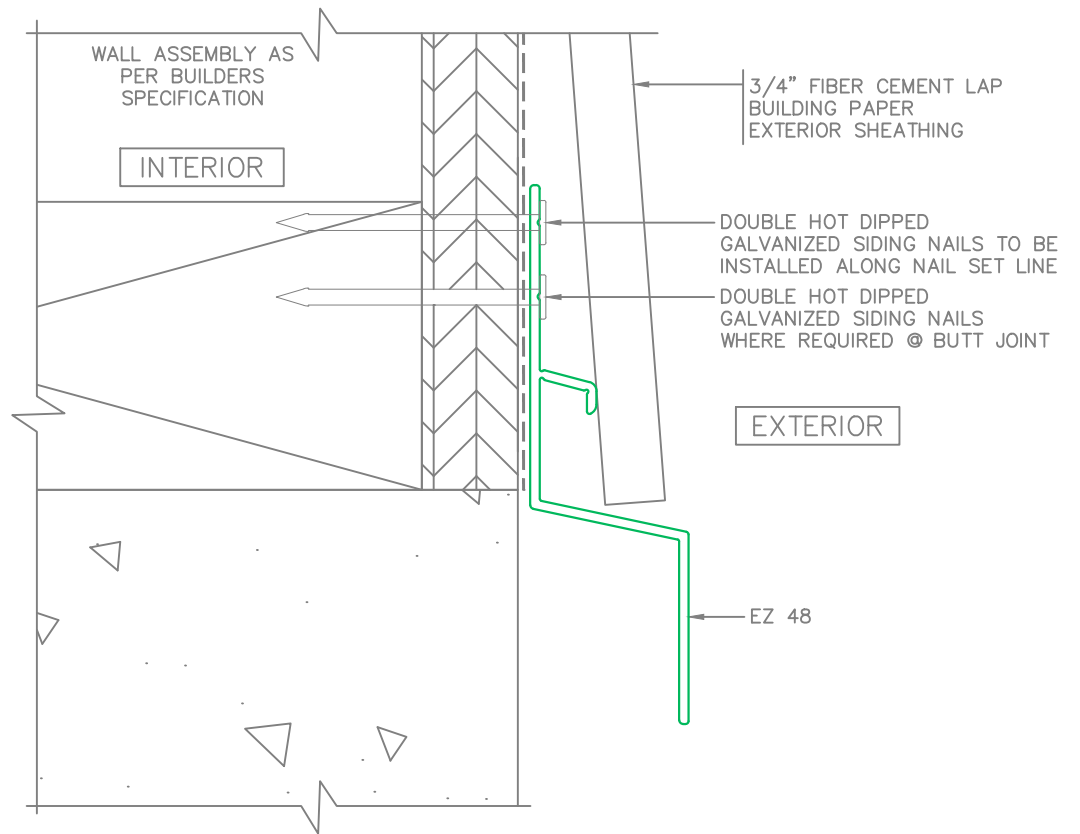
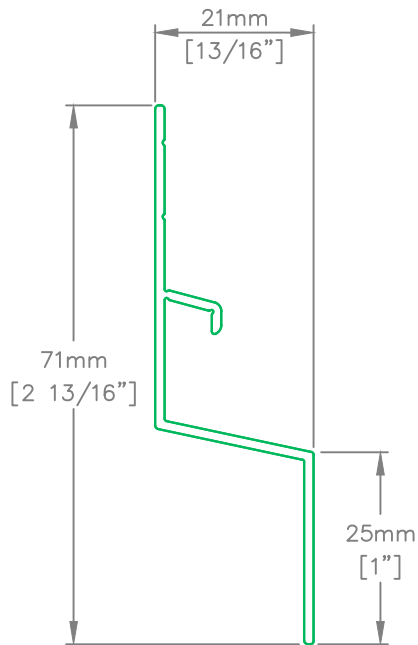
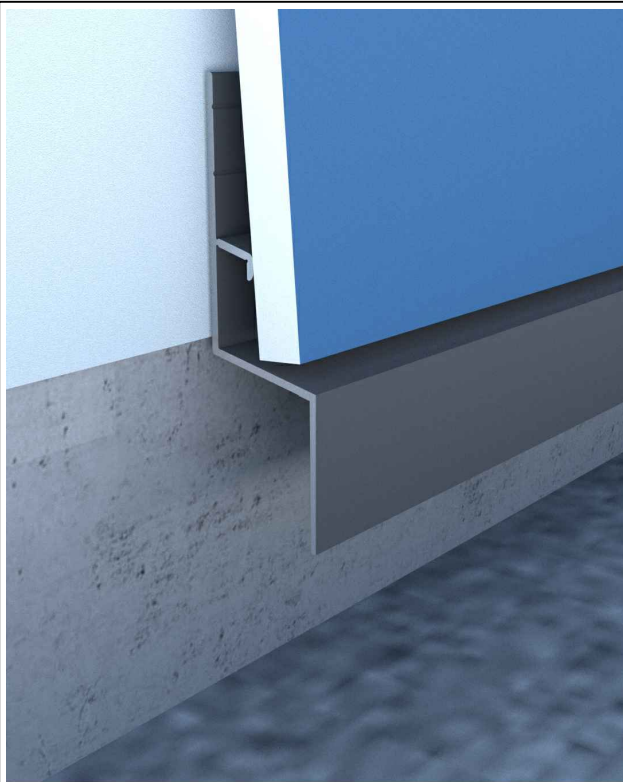



|   |         |         |                |
|---|---------|---------|----------------|
| DESCRIPTION   |         |         |                |
| EZ 45 MULTI-ANGLE (105°-160°) OUTSIDE CORNER 5/16" TO 3/4" TRANSITION TRIM            |         |         |                |
|  | SCALE   | NTS     | DRAWING NUMBER |
|   | DATE    | APR2024 | EZ45.1         |
|   | DRWN BY | HJ/DDG  |                |

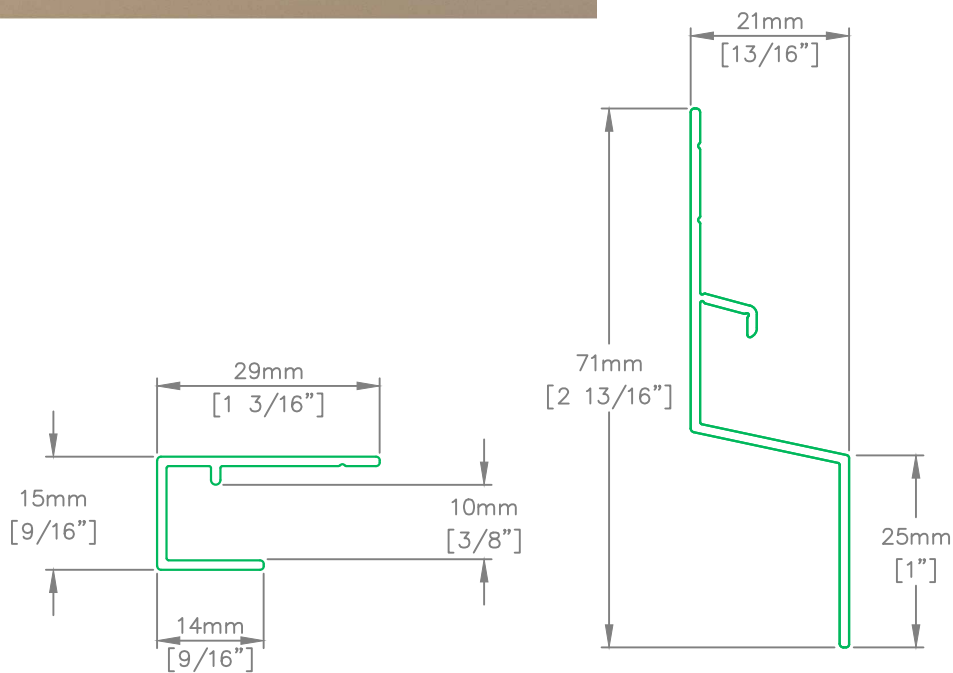
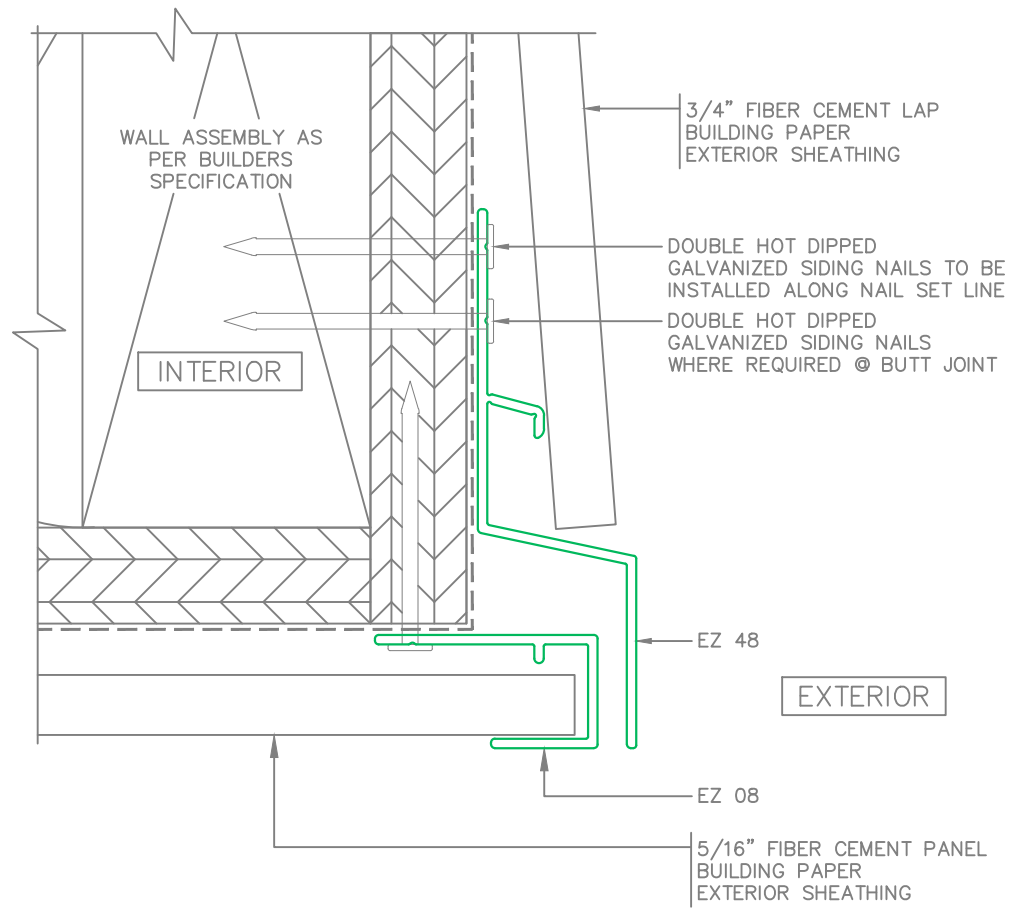
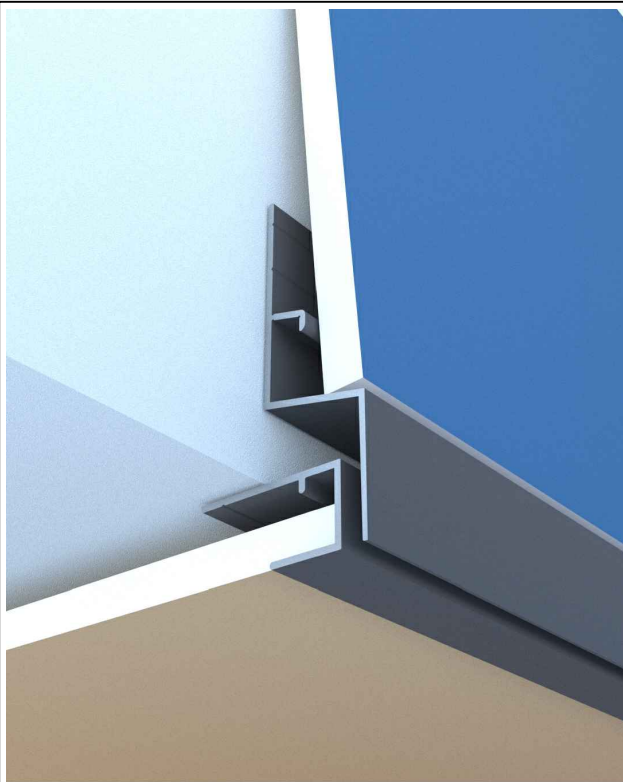



|   |         |         |                |
|---|---------|---------|----------------|
| DESCRIPTION   |         |         |                |
| EZ 46 MULTI-ANGLE (105°-160°) INSIDE CORNER 5/16" TO 3/4" TRANSITION TRIM |         |         |                |
|   | SCALE   | NTS     | DRAWING NUMBER |
|   | DATE    | APR2024 | EZ46.1         |
|   | DRWN BY | HJ/DDG  |                |

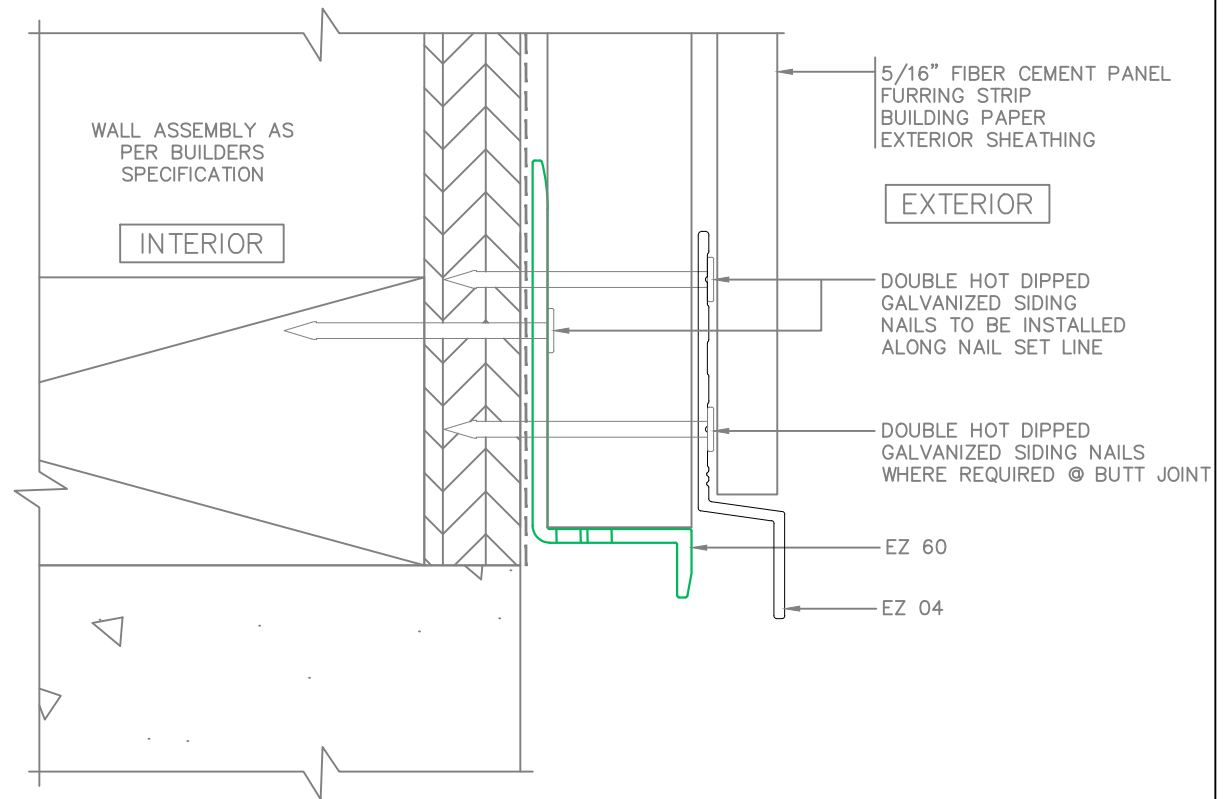
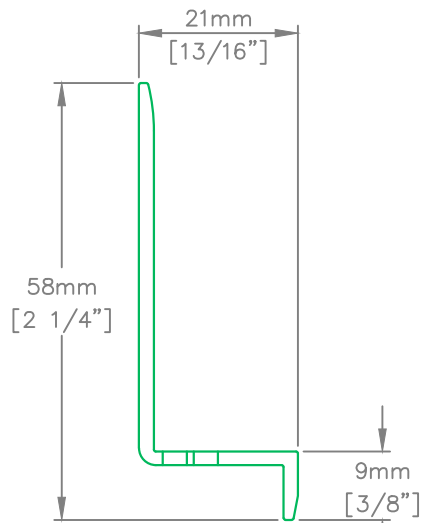





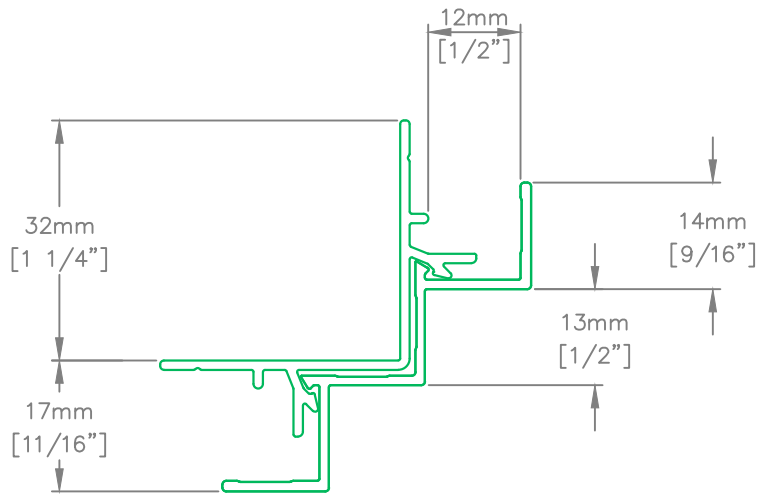
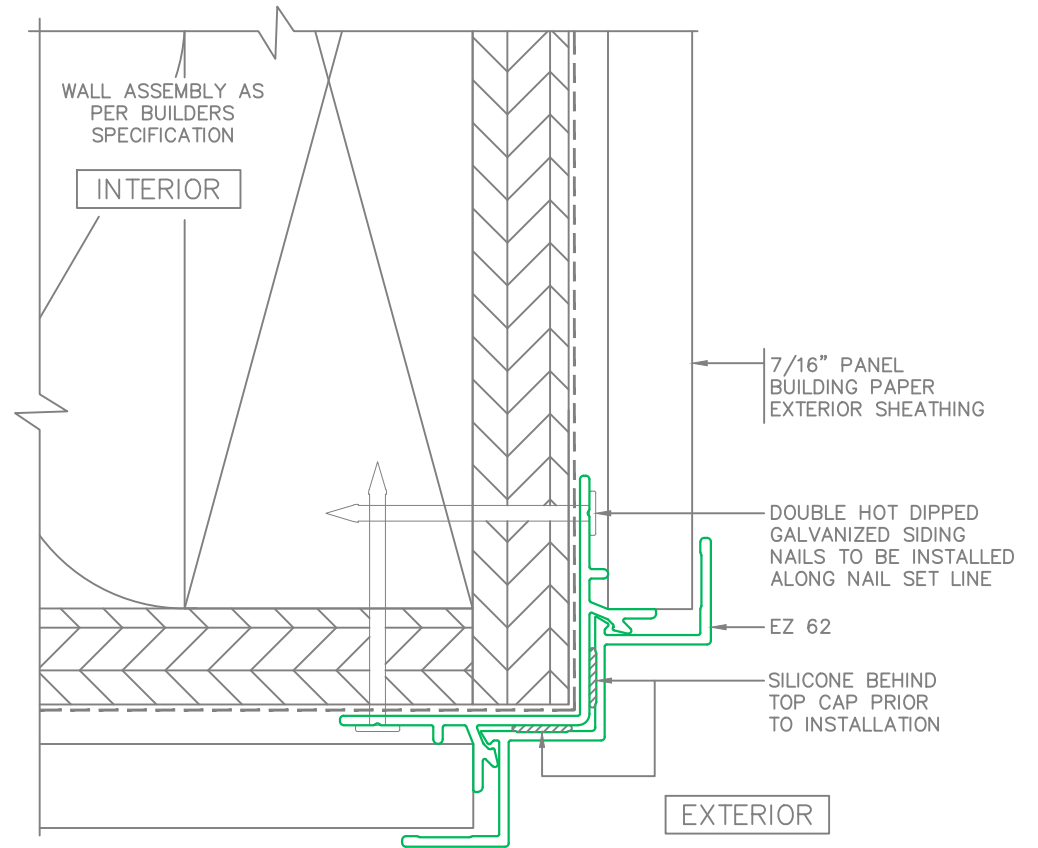
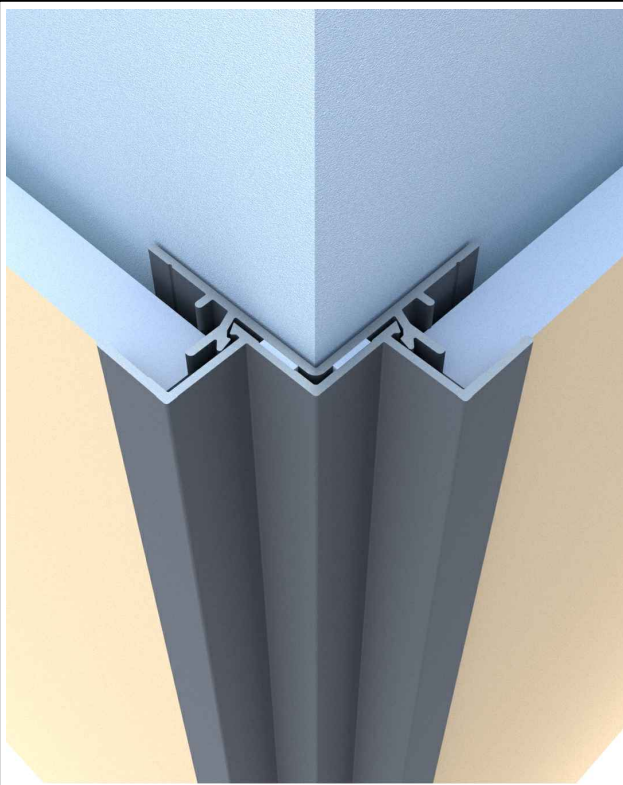
|   |         |         |                |
|---|---------|---------|----------------|
| DESCRIPTION   |         |         |                |
| EZ 48 HORIZONTAL BASE Z<br>STARTER 3/4" TRIM  |         |         |                |
|  | SCALE   | NTS     | DRAWING NUMBER |
|   | DATE    | APR2024 | EZ48.1         |
|   | DRWN BY | HJ/DDG  |                |



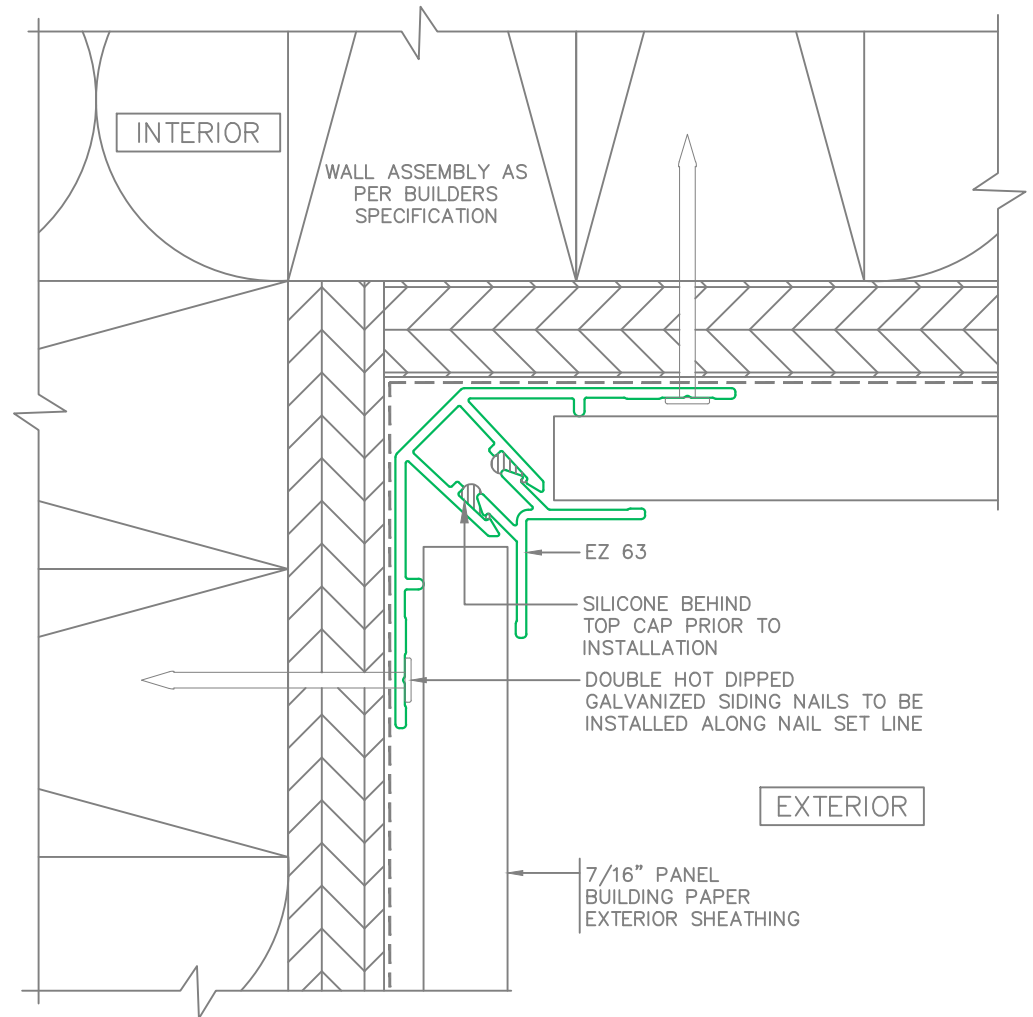
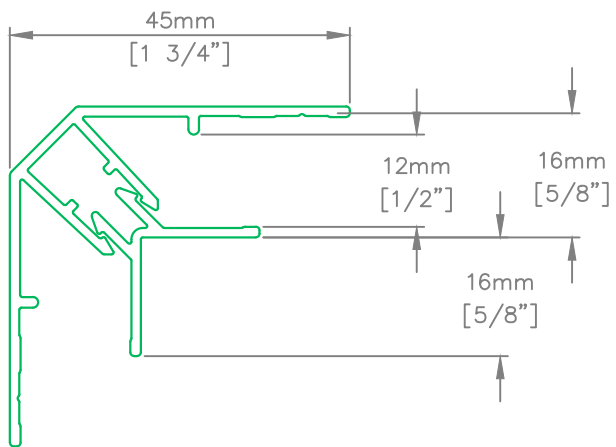
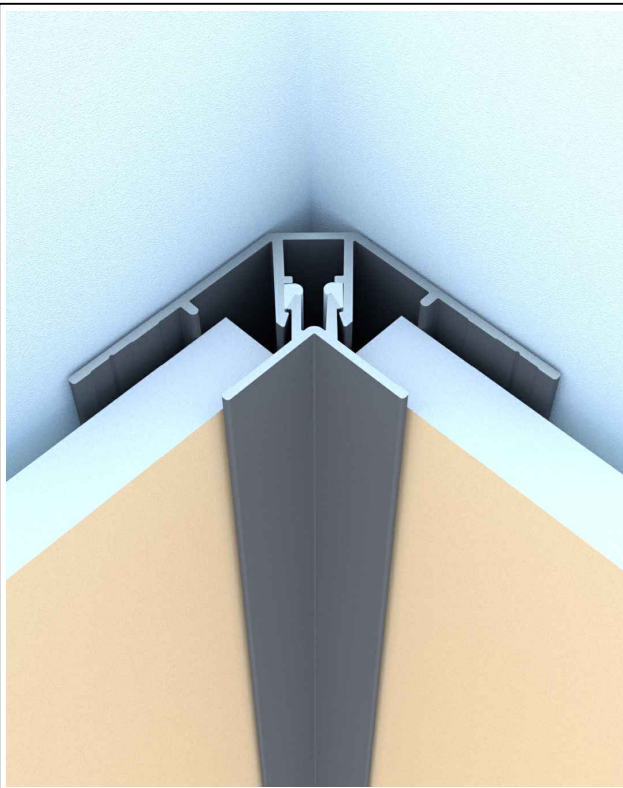
|   |         |         |                |
|---|---------|---------|----------------|
| DESCRIPTION   |         |         |                |
| EZ 48 HORIZONTAL BASE Z 3/4" LAP FASCIA<br>W/ EZ 08 GENERAL J 5/16" SOFFIT DETAIL     |         |         |                |
|  | SCALE   | NTS     | DRAWING NUMBER |
|   | DATE    | APR2024 | EZ48.2         |
|   | DRWN BY | HJ/DDG  |                |




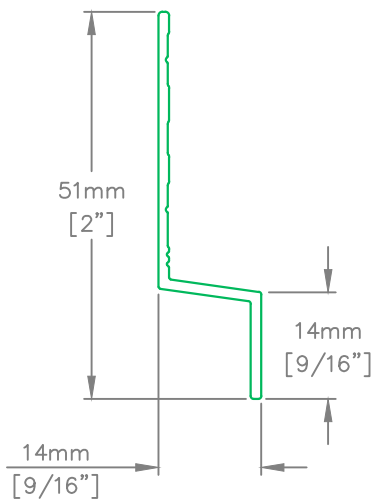
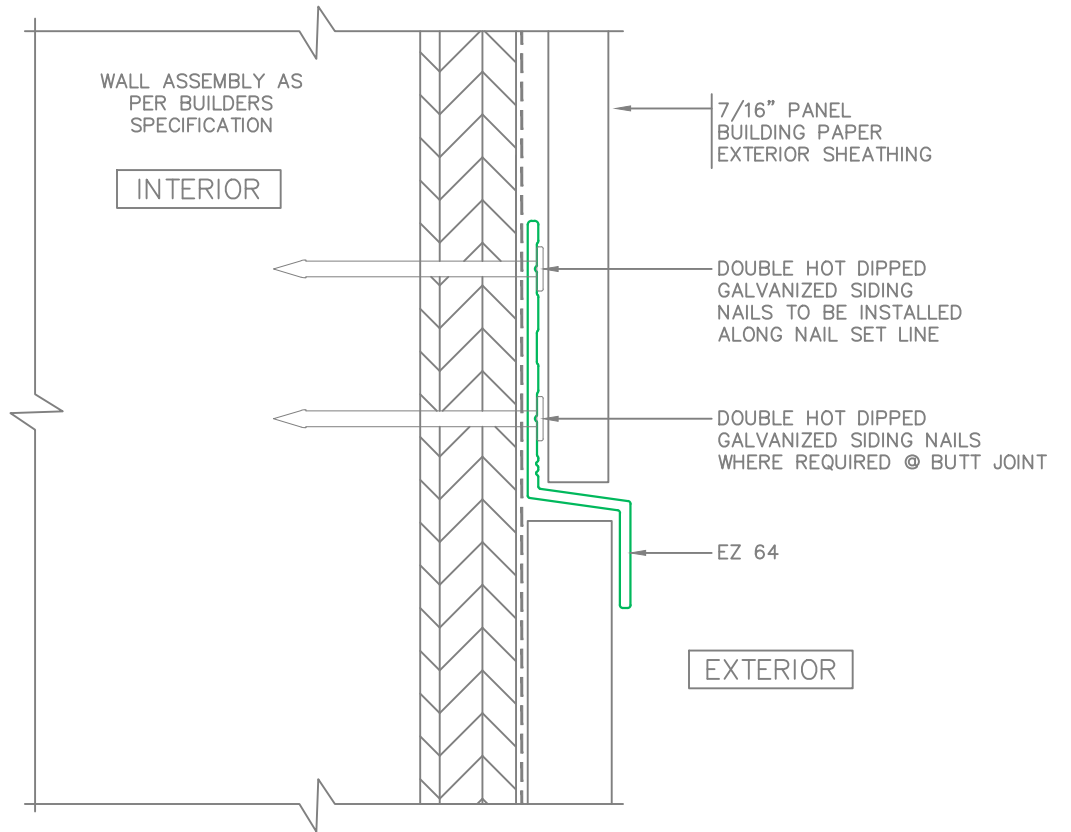
|   |         |         |                |
|---|---------|---------|----------------|
| DESCRIPTION   |         |         |                |
| EZ 60 PERFORATED VENTED<br>STARTER STRIP (VINYL) DETAIL                               |         |         |                |
|  | SCALE   | NTS     | DRAWING NUMBER |
|   | DATE    | APR2024 | EZ60.1         |
|   | DRWN BY | HJ/DDG  |                |




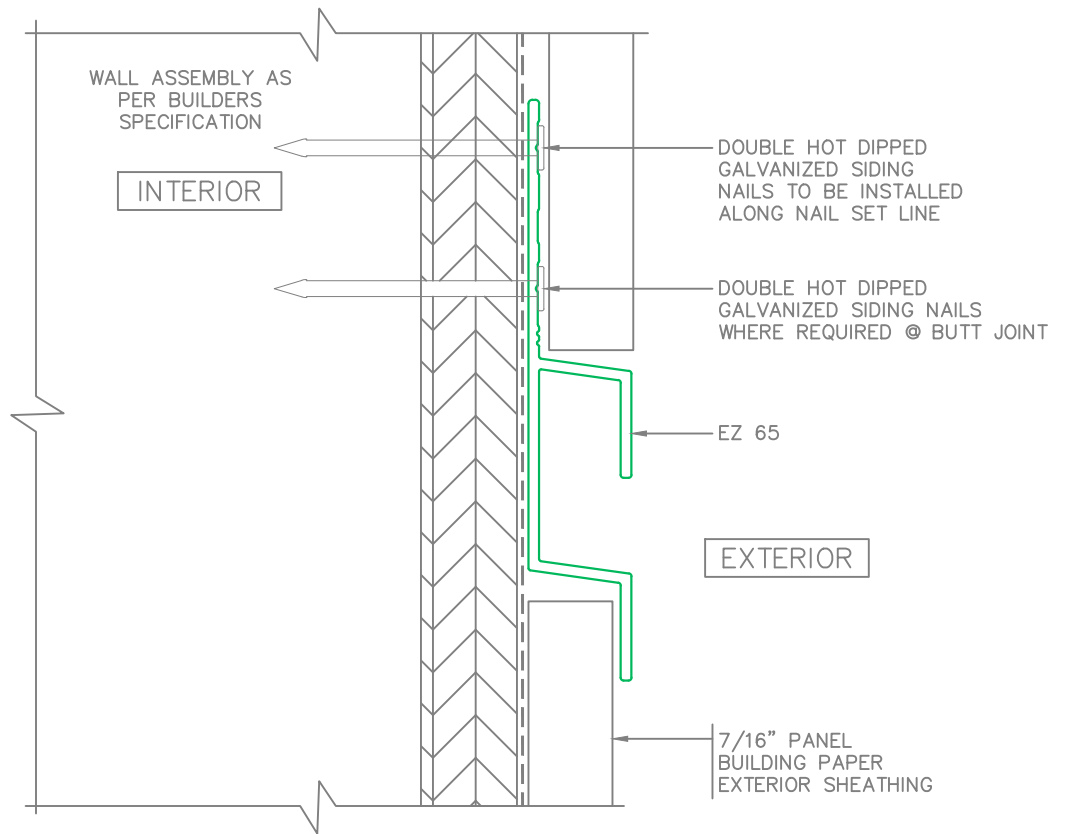
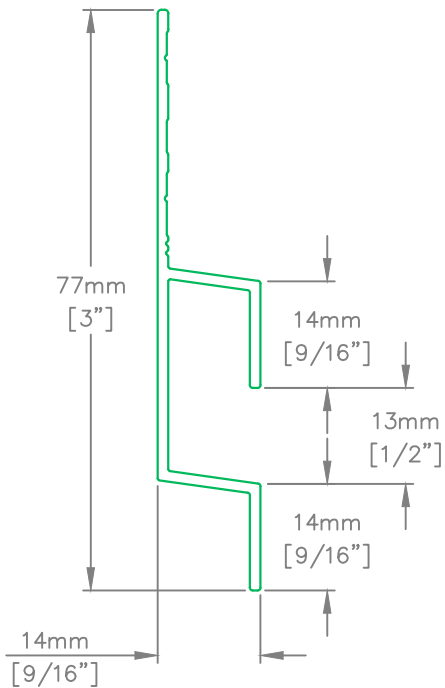
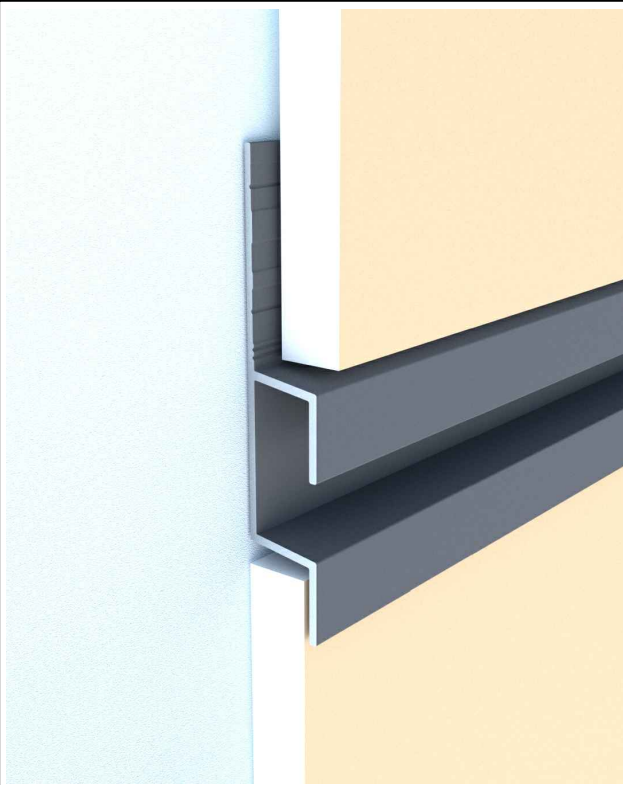
|   |         |         |                |
|---|---------|---------|----------------|
| DESCRIPTION   |         |         |                |
| EZ 62 2-PIECE SQUARE OUTSIDE CORNER<br>7/16" PANEL DETAIL |         |         |                |
|   | SCALE   | NTS     | DRAWING NUMBER |
|   | DATE    | APR2024 | EZ62.1         |
|   | DRWN BY | HJ/DDG  |                |




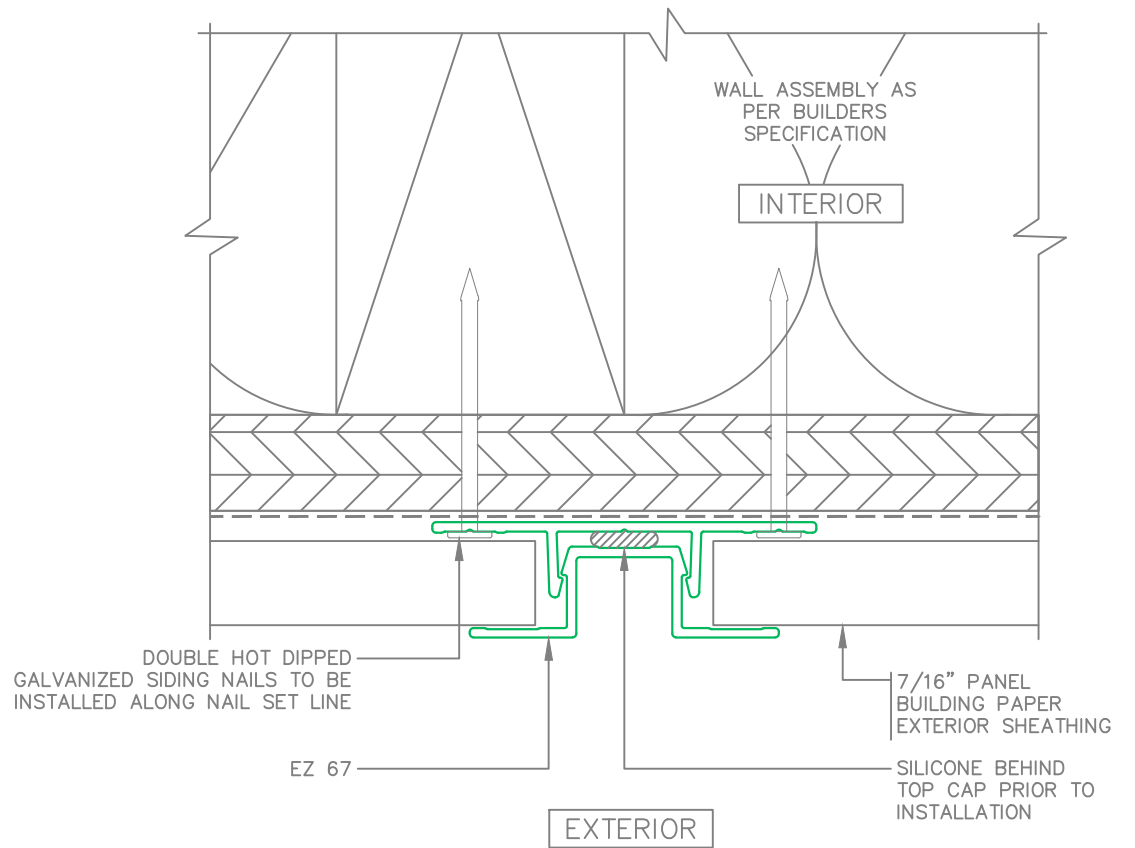
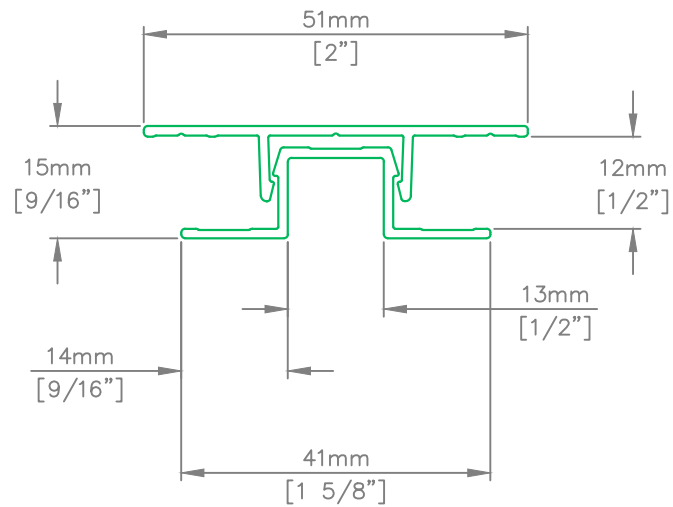
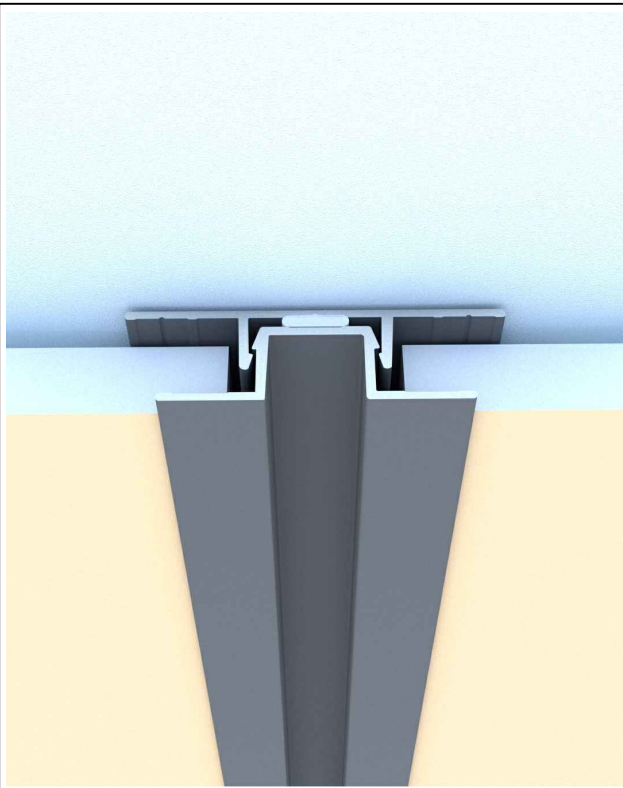
|   |         |         |                |
|---|---------|---------|----------------|
| DESCRIPTION   |         |         |                |
| EZ 63 2-PIECE INSIDE CORNER<br>7/16" PANEL DETAIL                                     |         |         |                |
|  | SCALE   | NTS     | DRAWING NUMBER |
|   | DATE    | APR2024 | EZ63.1         |
|   | DRWN BY | HJ/DDG  |                |




|   |         |         |                |
|---|---------|---------|----------------|
| DESCRIPTION   |         |         |                |
| EZ 64 HORIZONTAL Z<br>7/16" PANEL DETAIL  |         |         |                |
|  | SCALE   | NTS     | DRAWING NUMBER |
|   | DATE    | APR2024 | EZ64.1         |
|   | DRWN BY | HJ/DDG  |                |

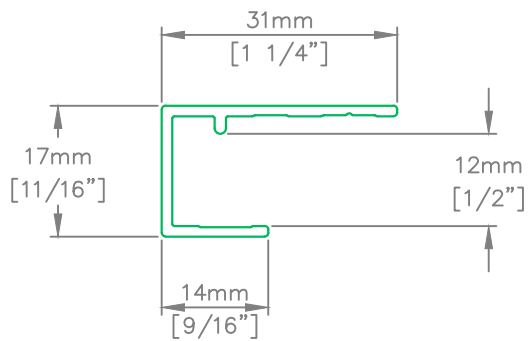
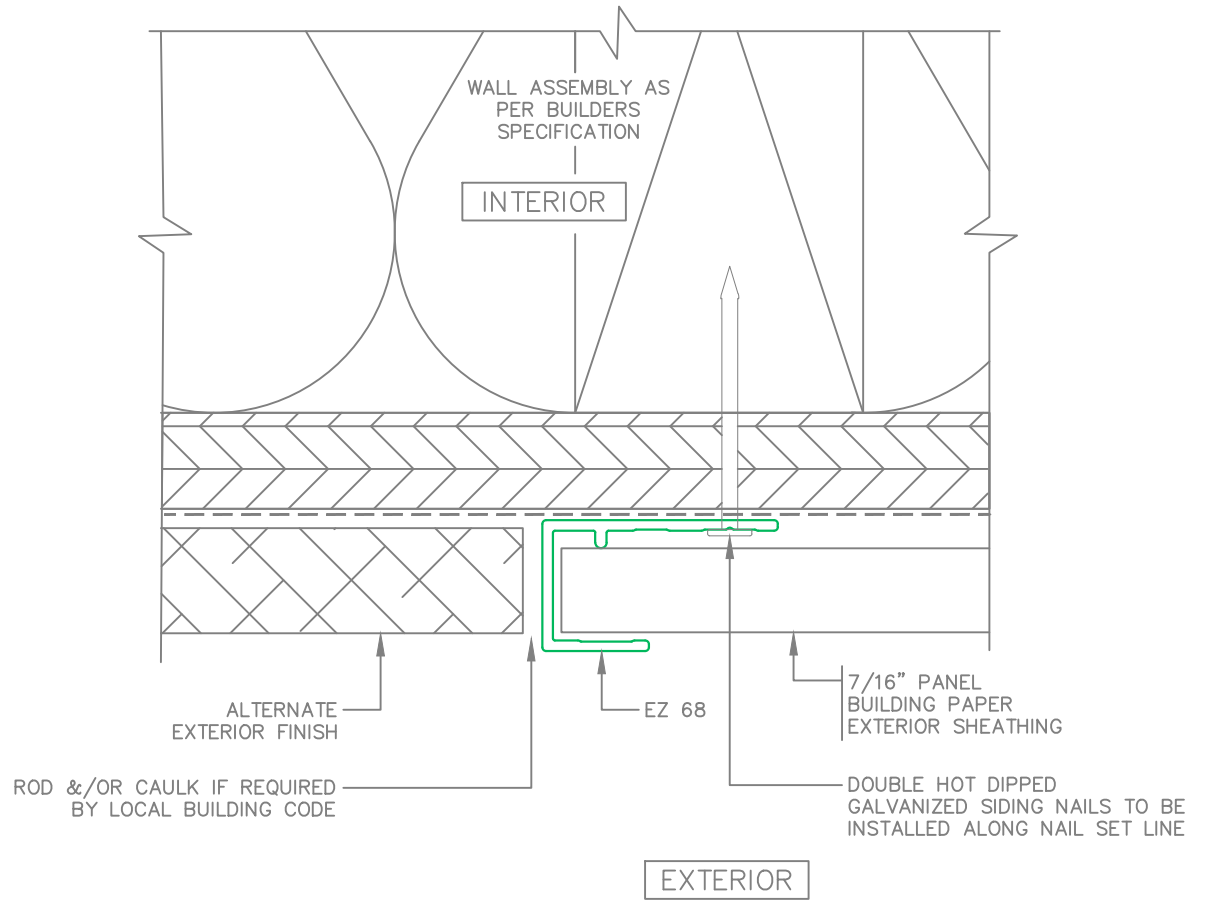
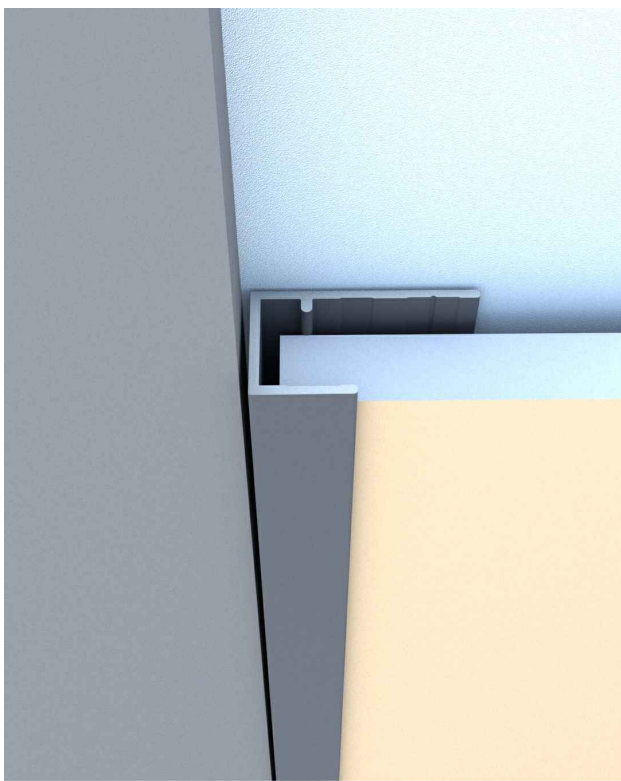


|   |         |         |                |
|---|---------|---------|----------------|
| DESCRIPTION   |         |         |                |
| EZ 65 HORIZONTAL H<br>7/16" PANEL DETAIL  |         |         |                |
|  | SCALE   | NTS     | DRAWING NUMBER |
|   | DATE    | APR2024 | EZ65.1         |
|   | DRWN BY | HJ/DDG  |                |



|   |         |         |                |
|---|---------|---------|----------------|
| DESCRIPTION   |         |         |                |
| EZ 67 2-PIECE VERTICAL U<br>7/16" PANEL DETAIL  |         |         |                |
|  | SCALE   | NTS     | DRAWING NUMBER |
|   | DATE    | APR2024 | EZ67.1         |
|   | DRWN BY | HJ/DDG  |                |

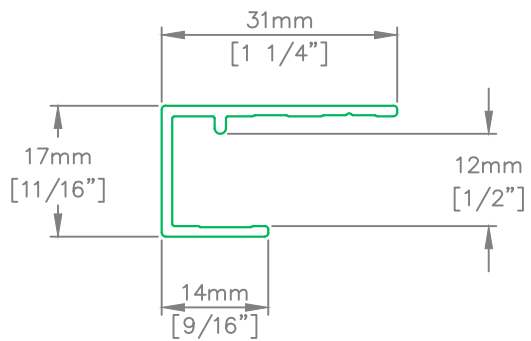
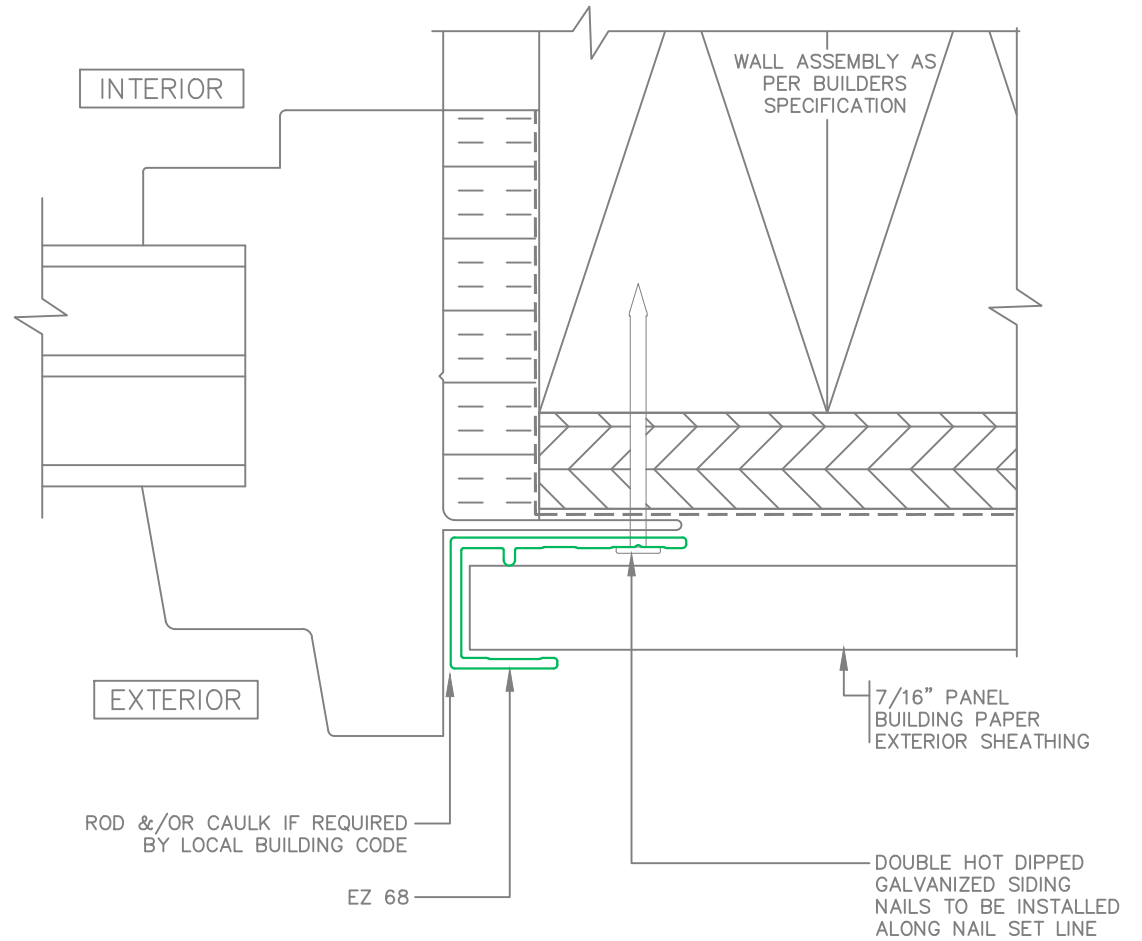
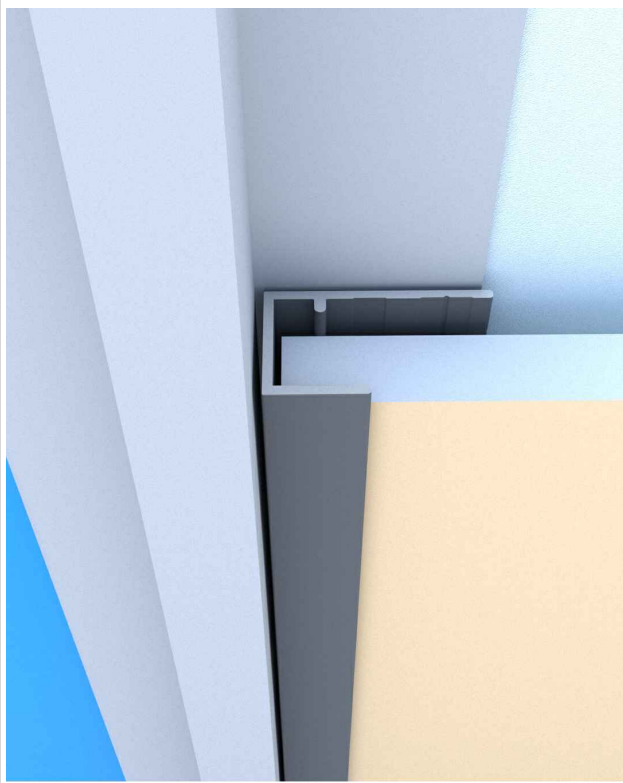





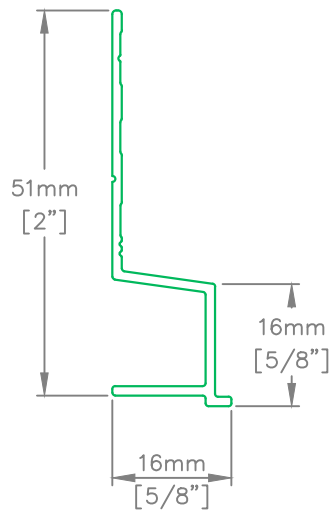
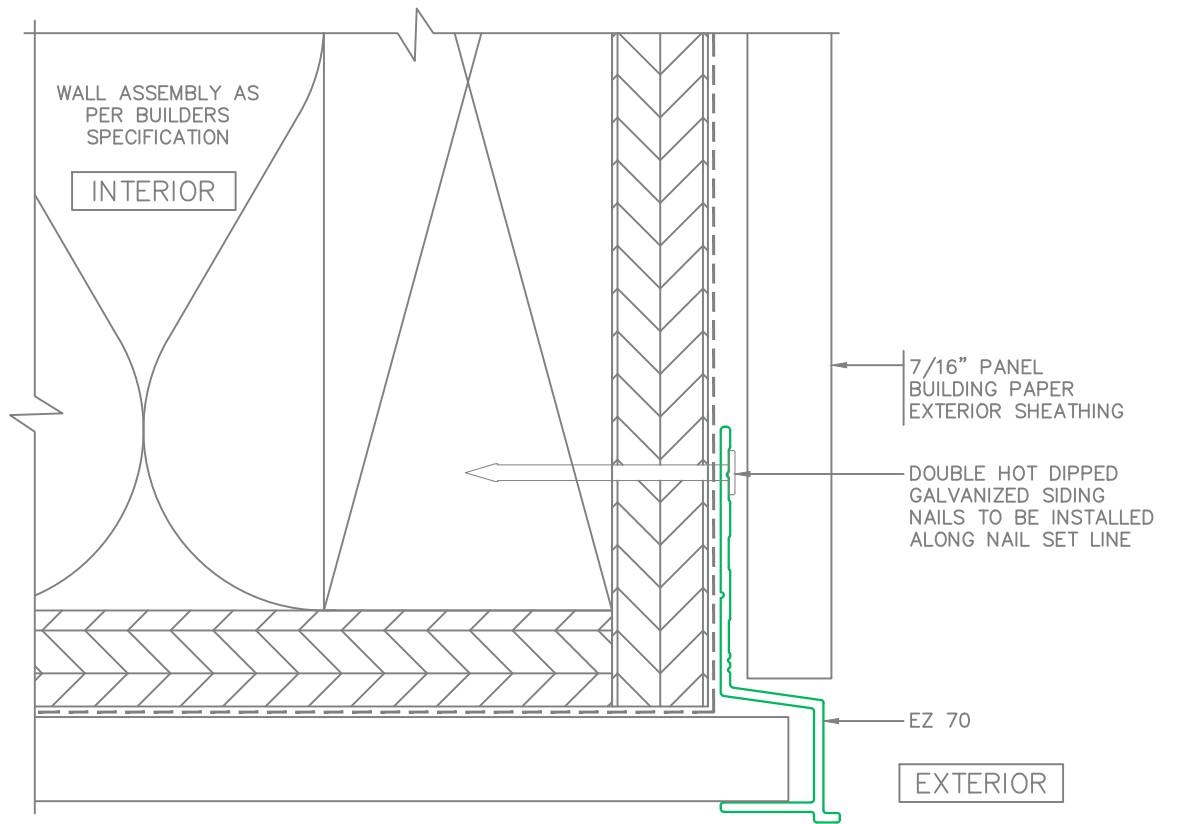
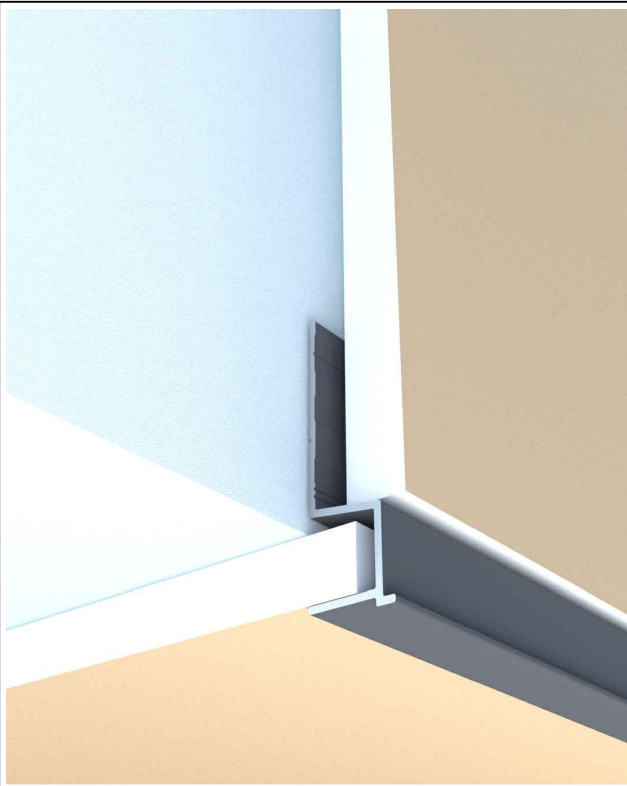
DESCRIPTION


EZ 68 GENERAL J VERTICAL TERMINATION  
7/16" TRIM

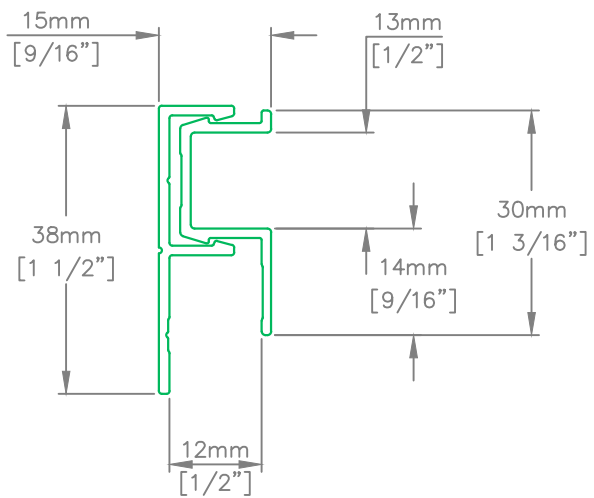
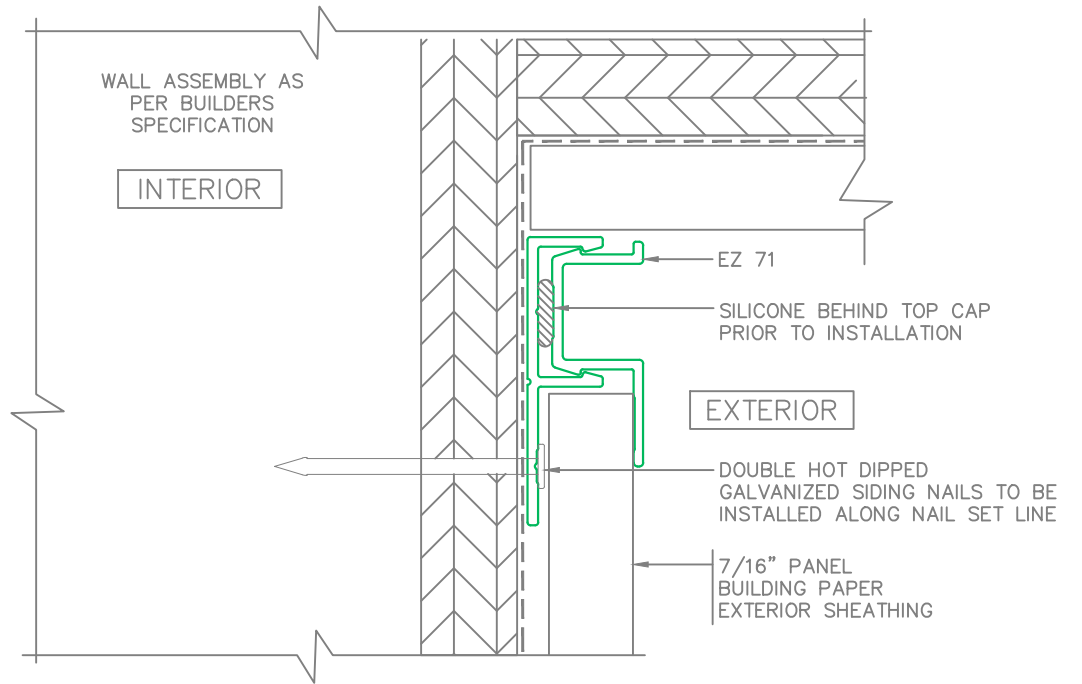
|  |         |         |                |
|--|---------|---------|----------------|
|  | SCALE   | NTS     | DRAWING NUMBER |
|  | DATE    | APR2024 | EZ68.1         |
|  | DRWN BY | HJ/DDG  |                |




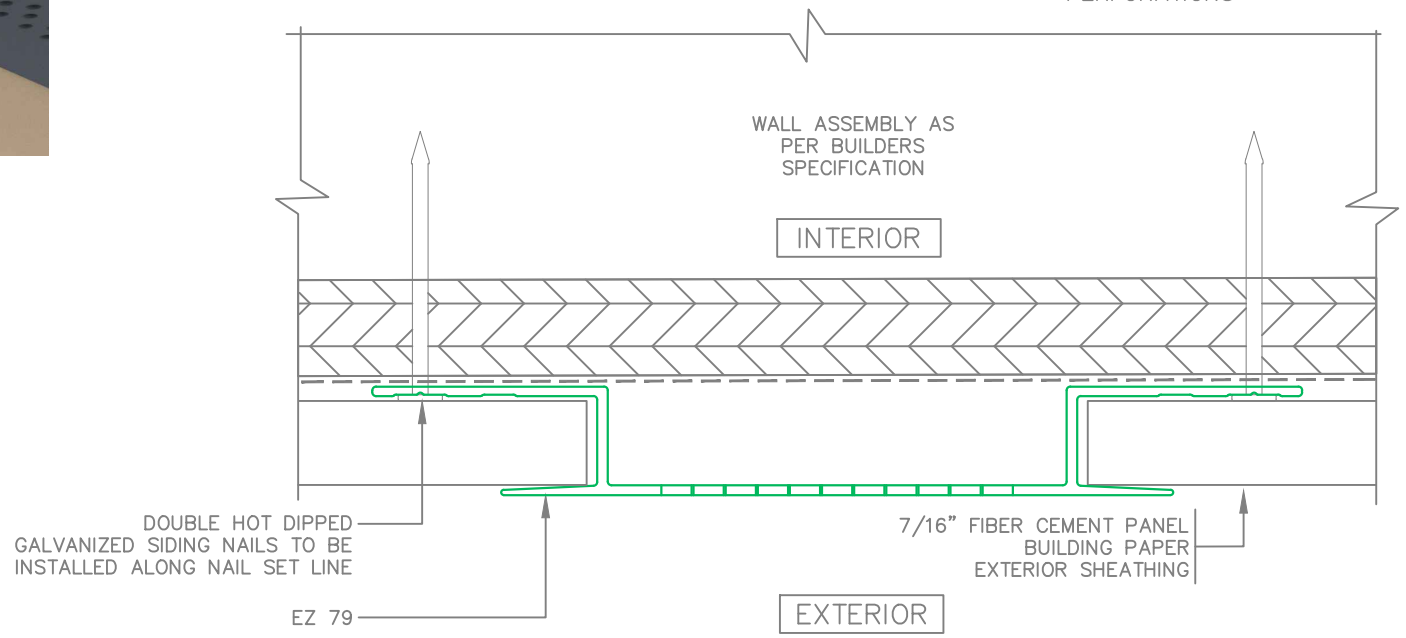
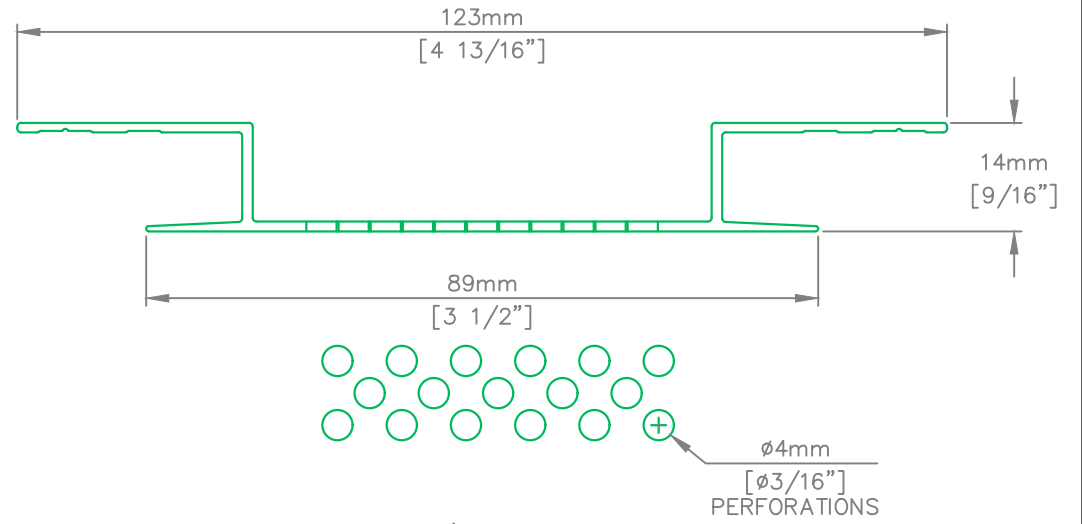
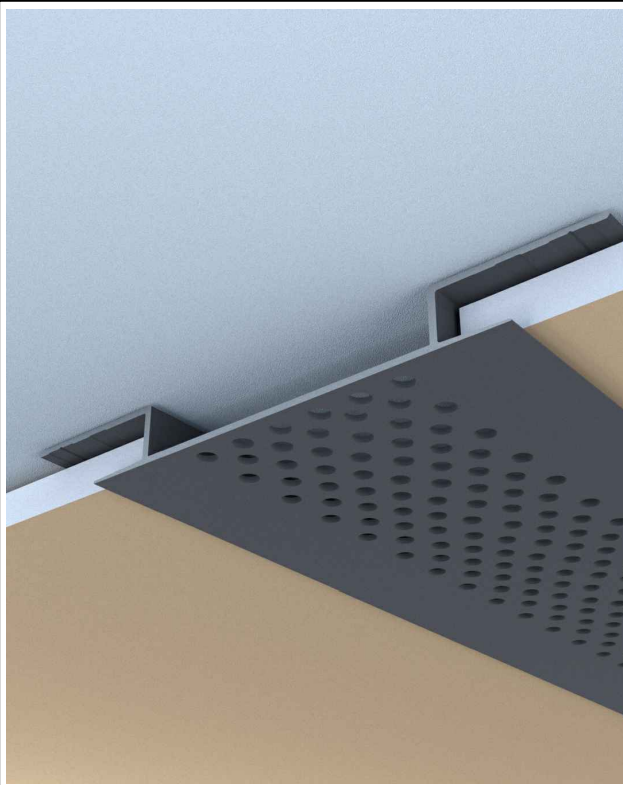
|   |         |         |                |
|---|---------|---------|----------------|
| DESCRIPTION   |         |         |                |
| EZ 68 GENERAL J WINDOW JAMB<br>7/16" TRIM   |         |         |                |
|  | SCALE   | NTS     | DRAWING NUMBER |
|   | DATE    | APR2024 | EZ68.2         |
|   | DRWN BY | HJ/DDG  |                |




|   |         |         |                |
|---|---------|---------|----------------|
| DESCRIPTION   |         |         |                |
| EZ 70 HORIZONTAL BASE B<br>FASCIA/SOFFIT 7/16" TRIM                                   |         |         |                |
|  | SCALE   | NTS     | DRAWING NUMBER |
|   | DATE    | APR2024 | EZ70.1         |
|   | DRWN BY | HJ/DDG  |                |

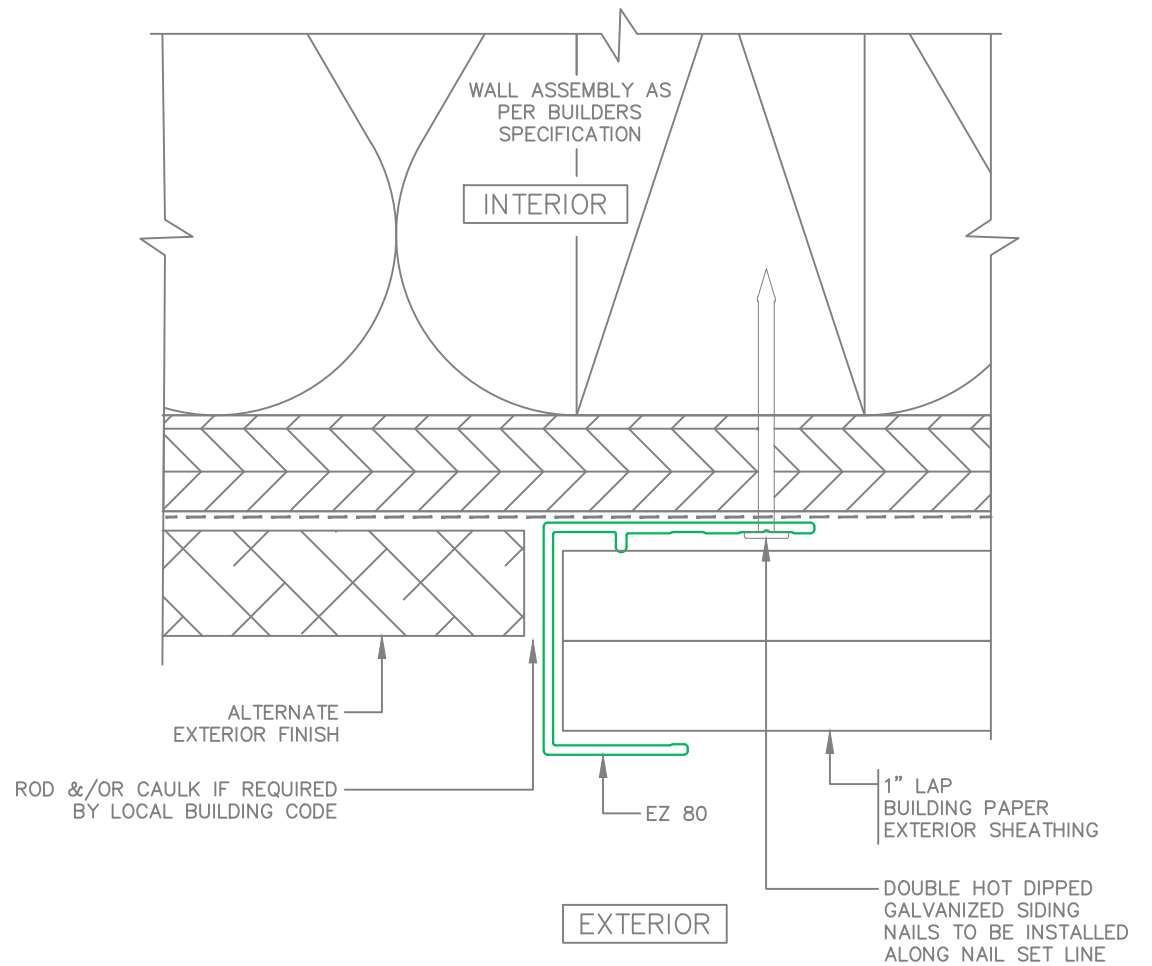
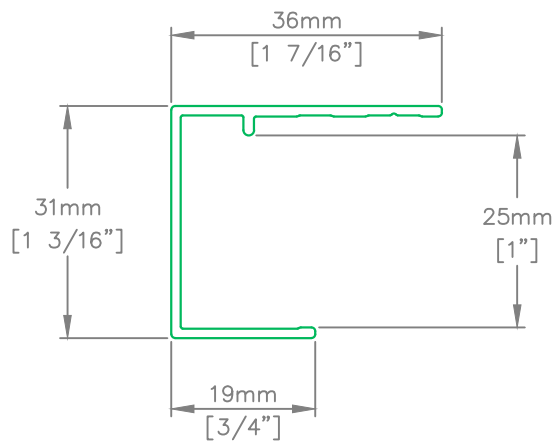
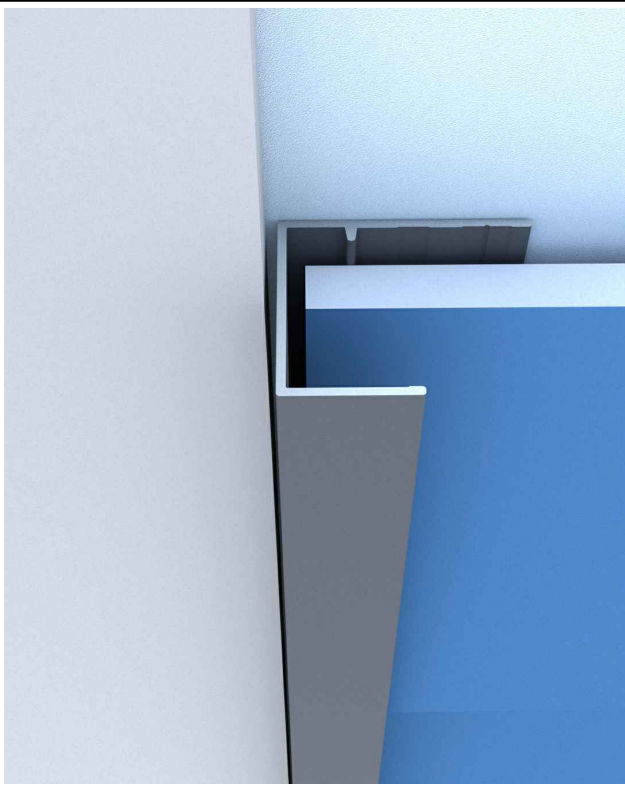



|   |         |         |                |
|---|---------|---------|----------------|
| DESCRIPTION   |         |         |                |
| EZ 71 2-PIECE GENERAL J<br>7/16" TRIM   |         |         |                |
|  | SCALE   | NTS     | DRAWING NUMBER |
|   | DATE    | APR2024 | EZ71.1         |
|   | DRWN BY | HJ/DDG  |                |

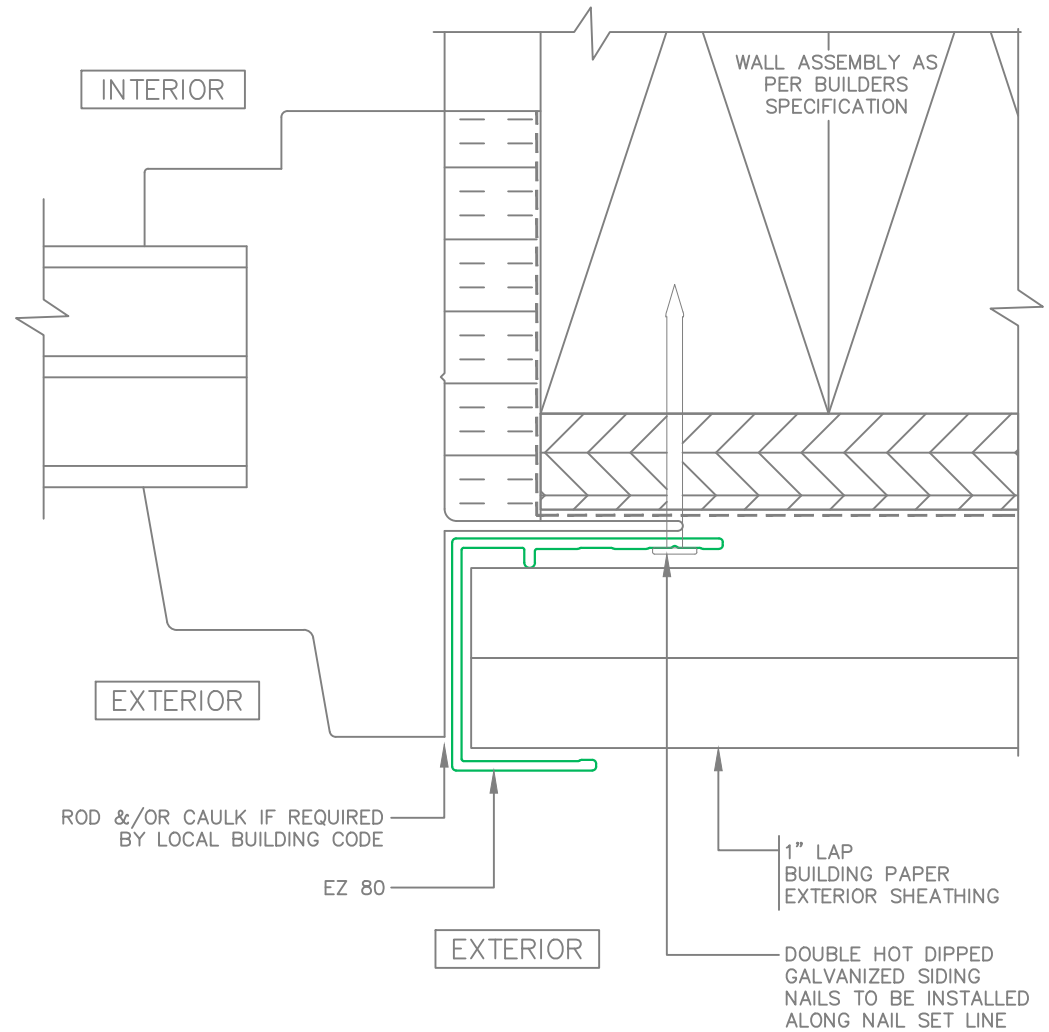
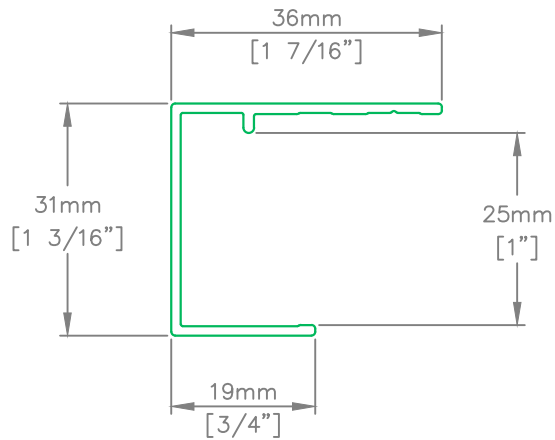
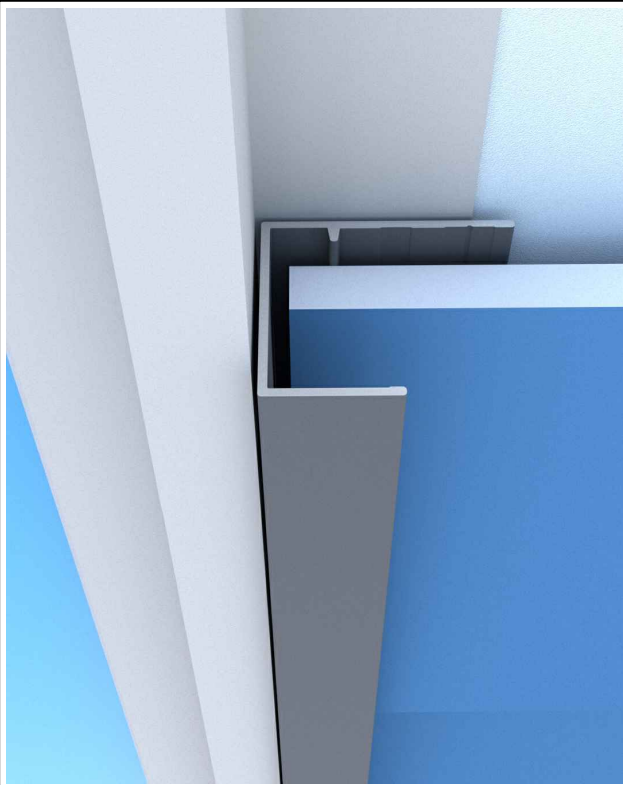



7.7 in<sup>2</sup>/ LIN FT  
163.3 cm<sup>2</sup>/ LIN m  
NET FREE AIR SPACE

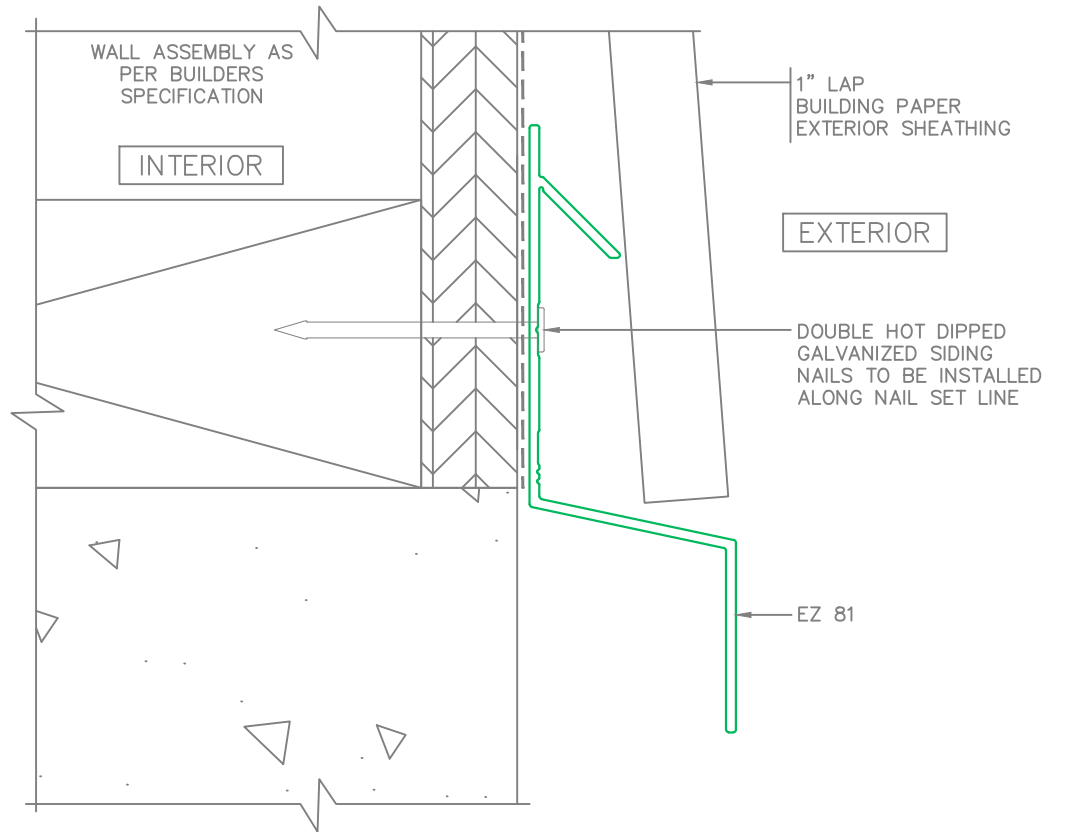
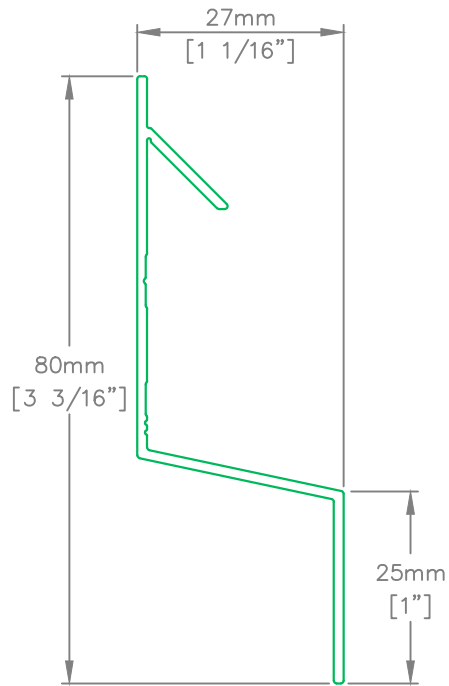
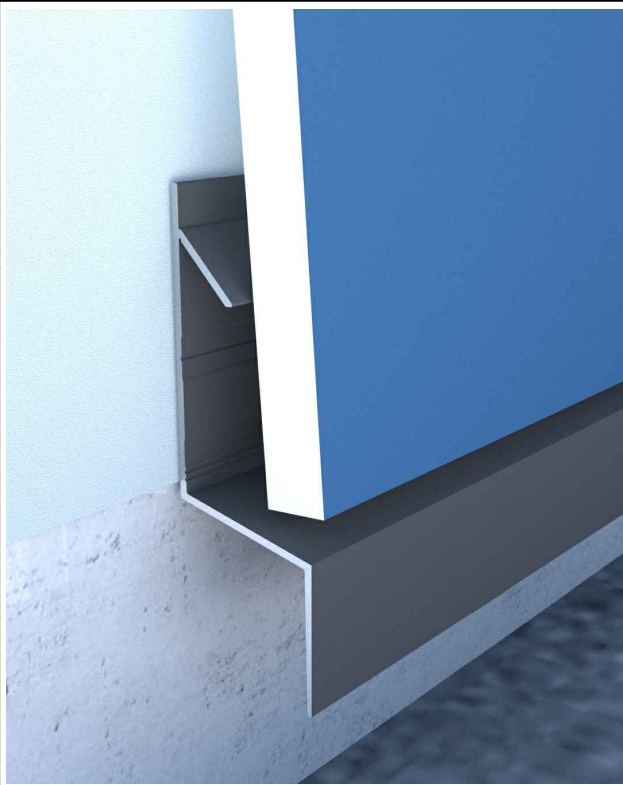
| DESCRIPTION   |         |         |                |
|---|---------|---------|----------------|
| EZ 79 PERFORATED SOFFIT<br>7/16" TRIM   |         |         |                |
|  | SCALE   | NTS     | DRAWING NUMBER |
|   | DATE    | APR2024 | EZ79.1         |
|   | DRWN BY | HJ/DDG  |                |




|   |         |         |                |
|---|---------|---------|----------------|
| DESCRIPTION   |         |         |                |
| EZ 80 GENERAL J VERTICAL TERMINATION<br>1" TRIM                                       |         |         |                |
|  | SCALE   | NTS     | DRAWING NUMBER |
|   | DATE    | APR2024 | EZ80.1         |
|   | DRWN BY | HJ/DDG  |                |

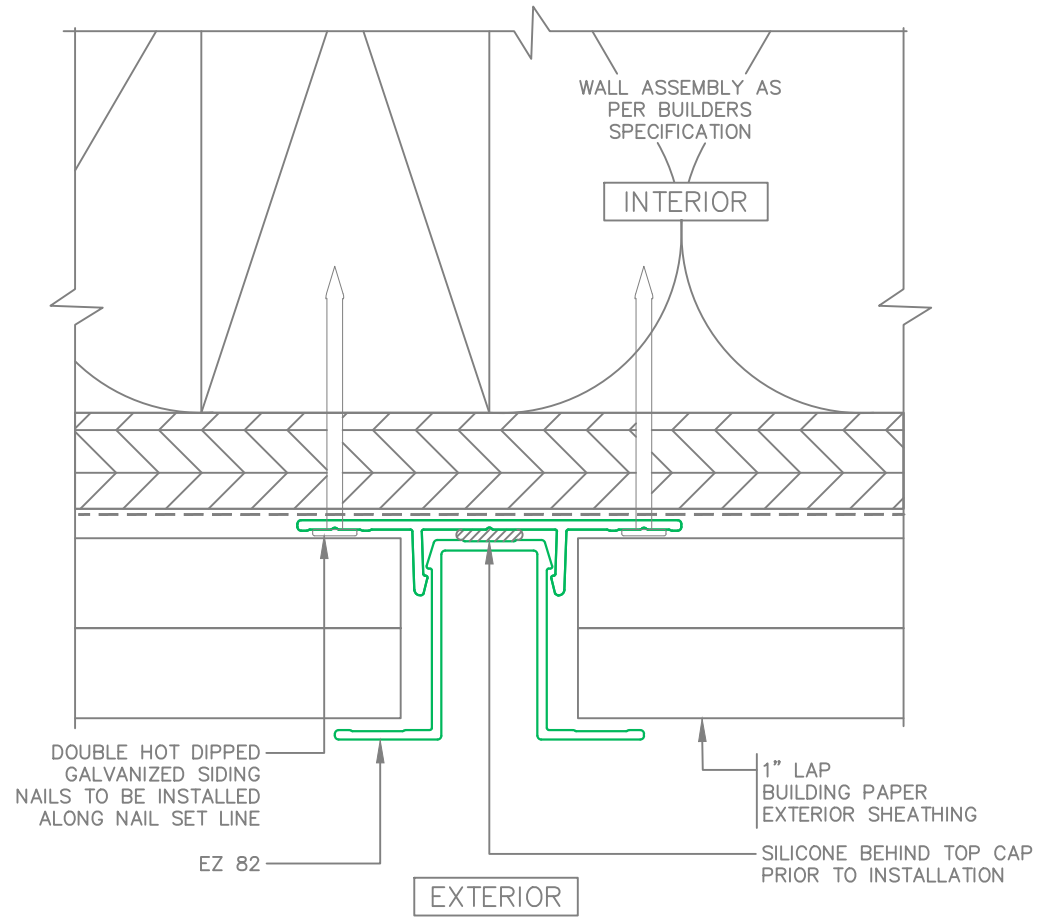
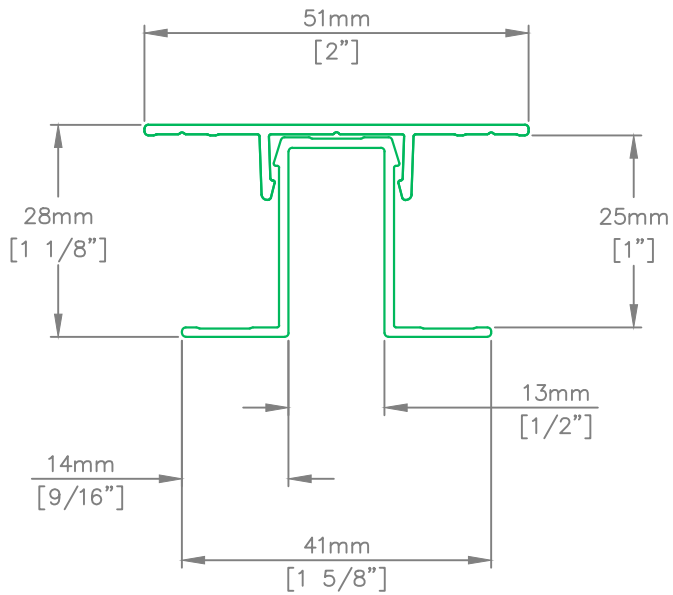
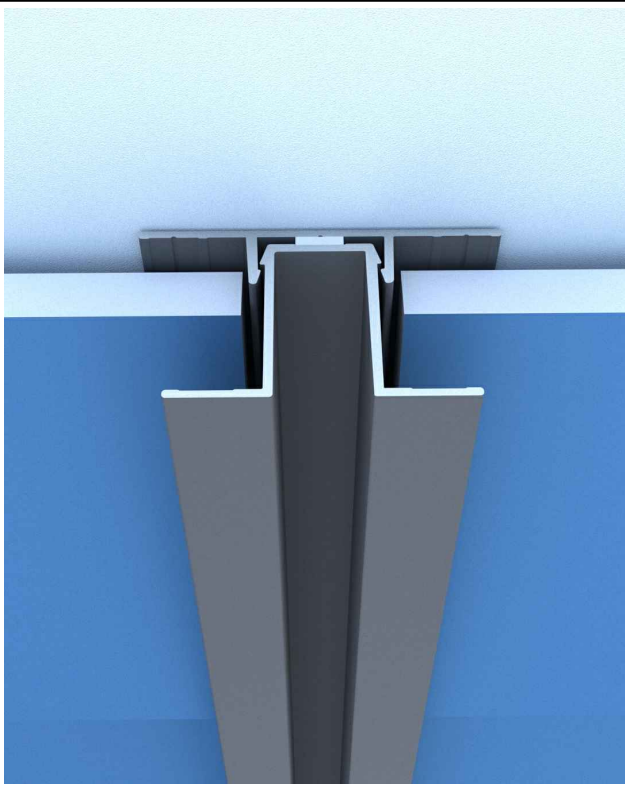



|   |         |         |                |
|---|---------|---------|----------------|
| DESCRIPTION   |         |         |                |
| EZ 80 GENERAL J WINDOW JAMB<br>1" TRIM  |         |         |                |
|  | SCALE   | NTS     | DRAWING NUMBER |
|   | DATE    | APR2024 | EZ80.2         |
|   | DRWN BY | HJ/DDG  |                |

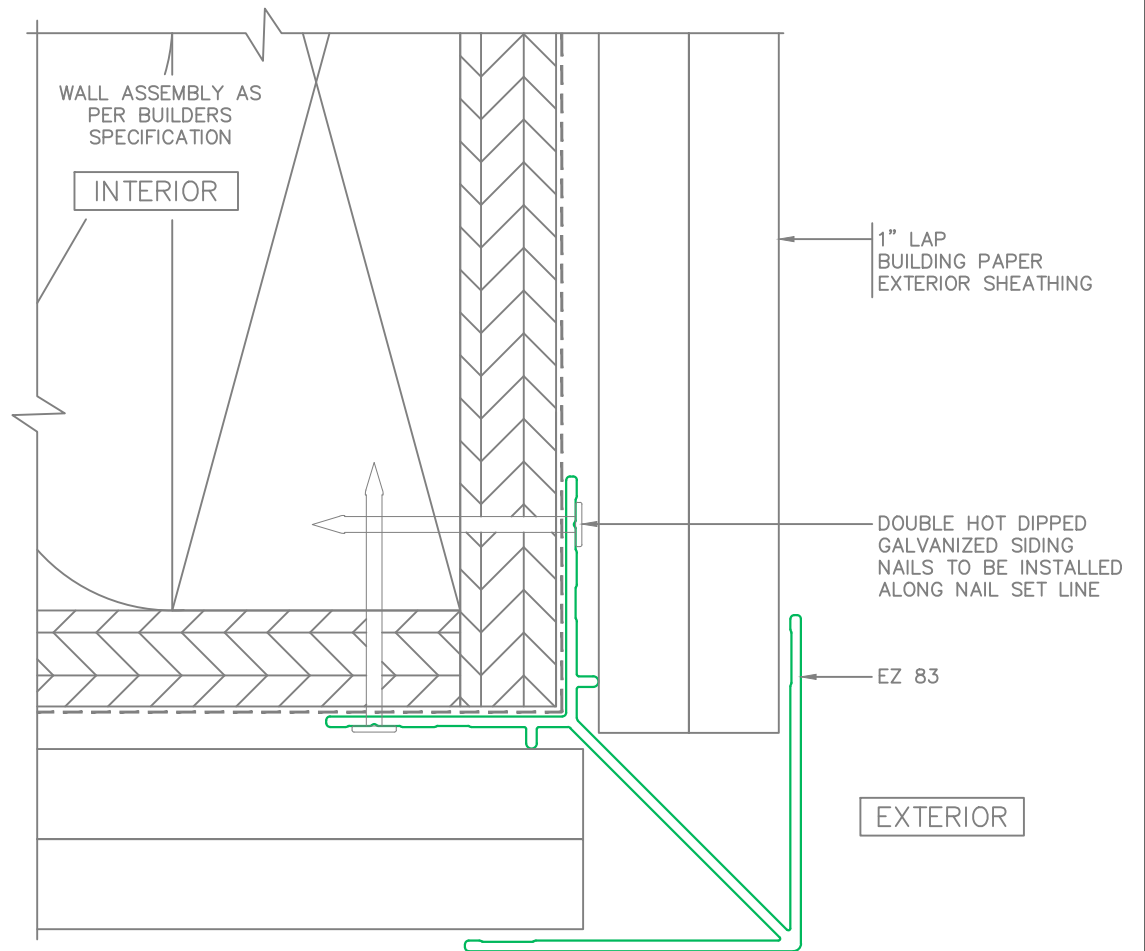
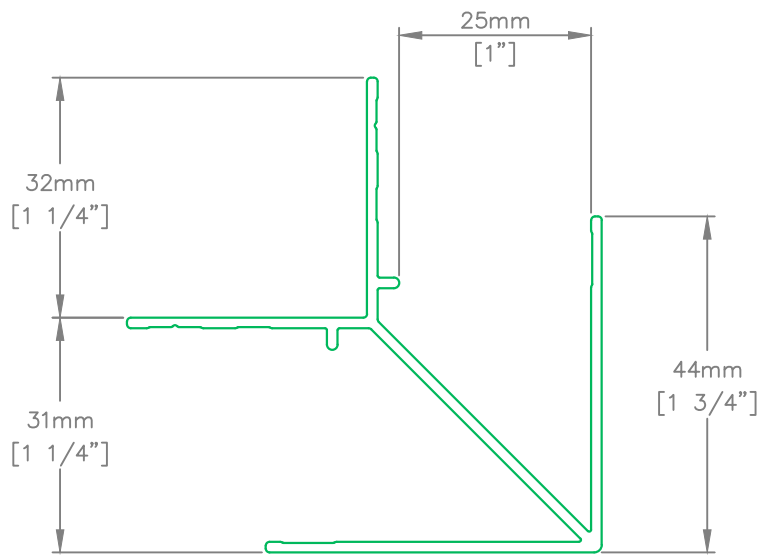
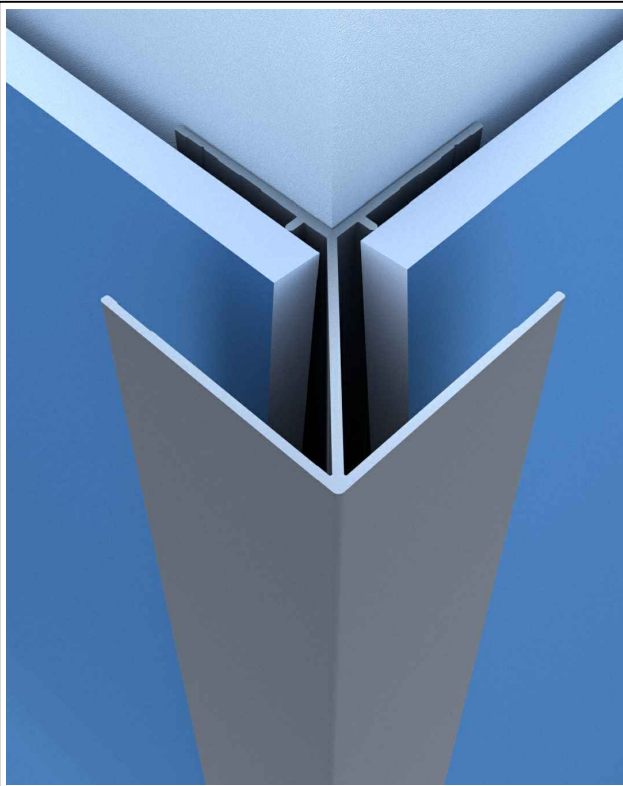


|   |         |         |                |
|---|---------|---------|----------------|
| DESCRIPTION   |         |         |                |
| EZ 81 HORIZONTAL BASE Z<br>STARTER 1" TRIM  |         |         |                |
|  | SCALE   | NTS     | DRAWING NUMBER |
|   | DATE    | APR2024 | EZ81.1         |
|   | DRWN BY | HJ/DDG  |                |

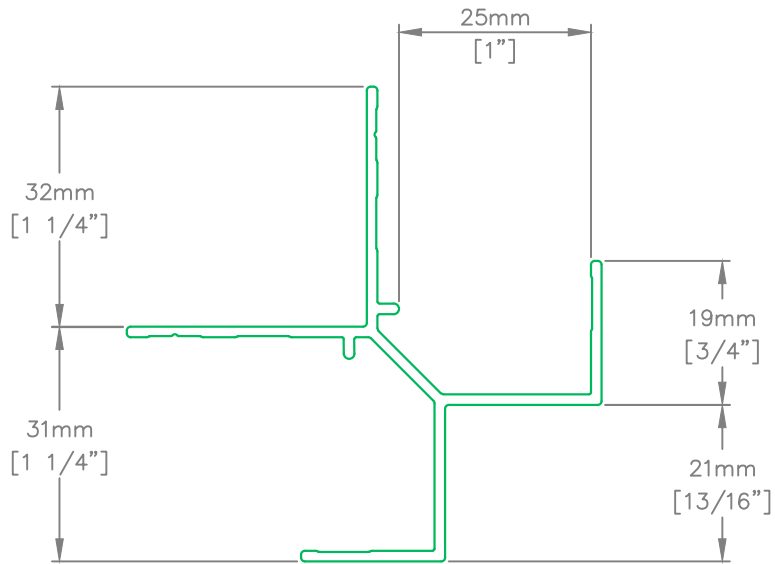
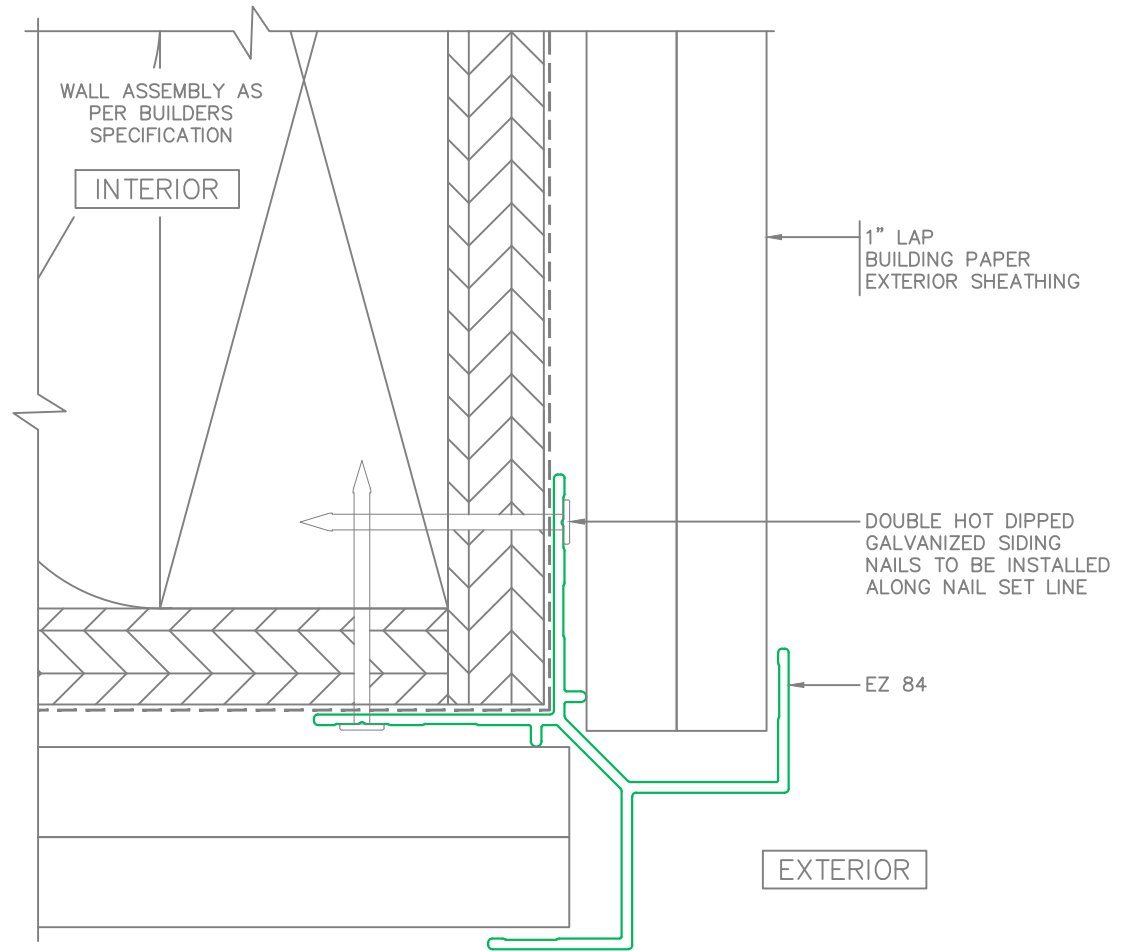
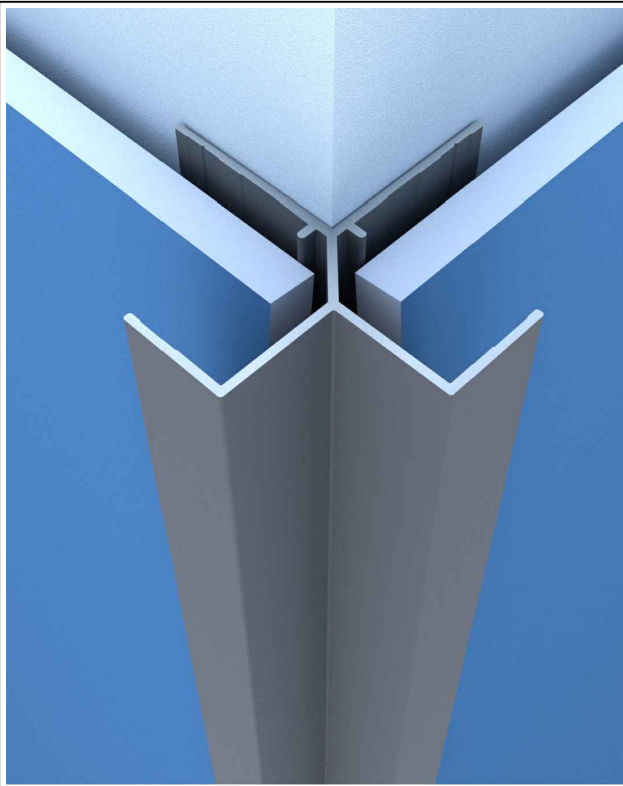





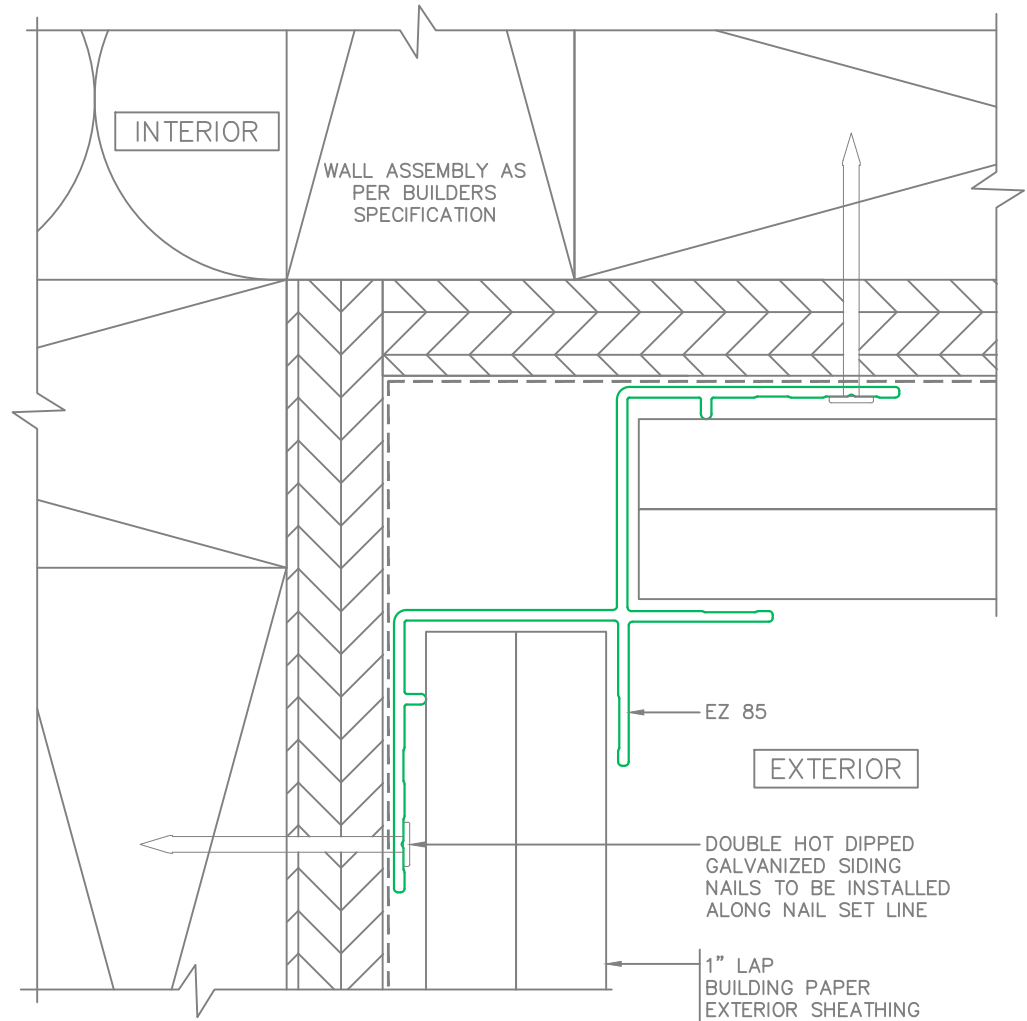
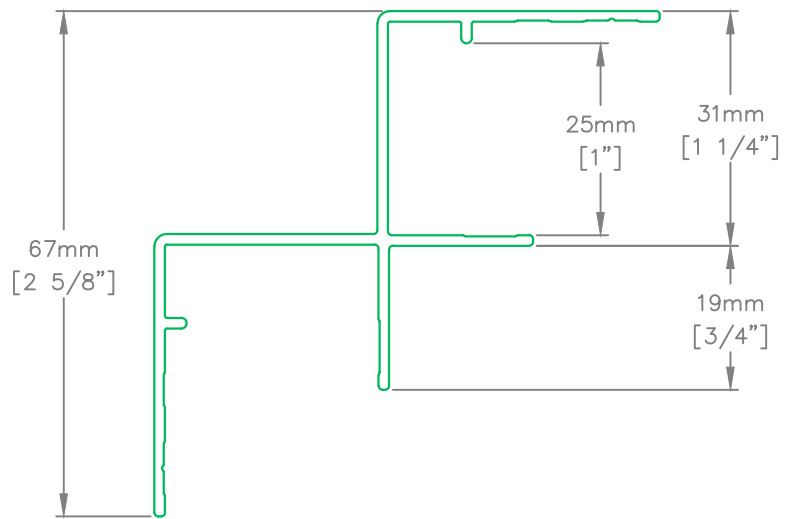
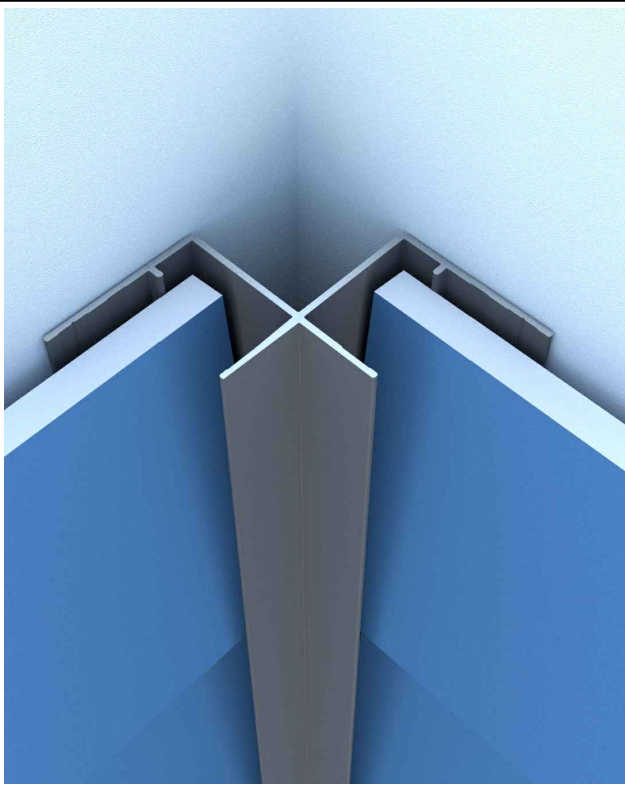
|   |         |         |                |
|---|---------|---------|----------------|
| DESCRIPTION   |         |         |                |
| EZ 82 2-PIECE VERTICAL<br>1" TRIM   |         |         |                |
|  | SCALE   | NTS     | DRAWING NUMBER |
|   | DATE    | APR2024 | EZ82.1         |
|   | DRWN BY | HJ/DDG  |                |




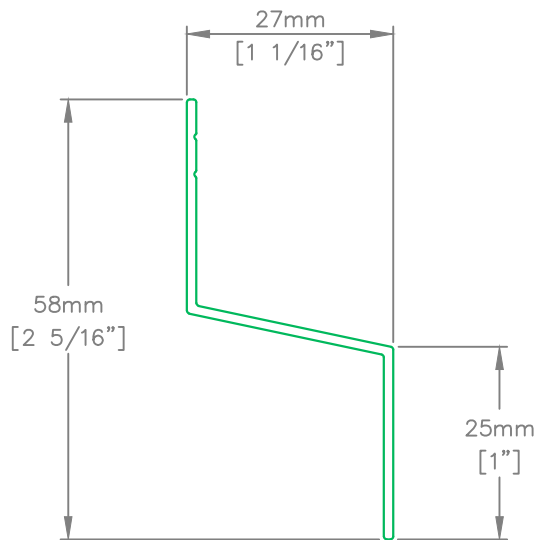
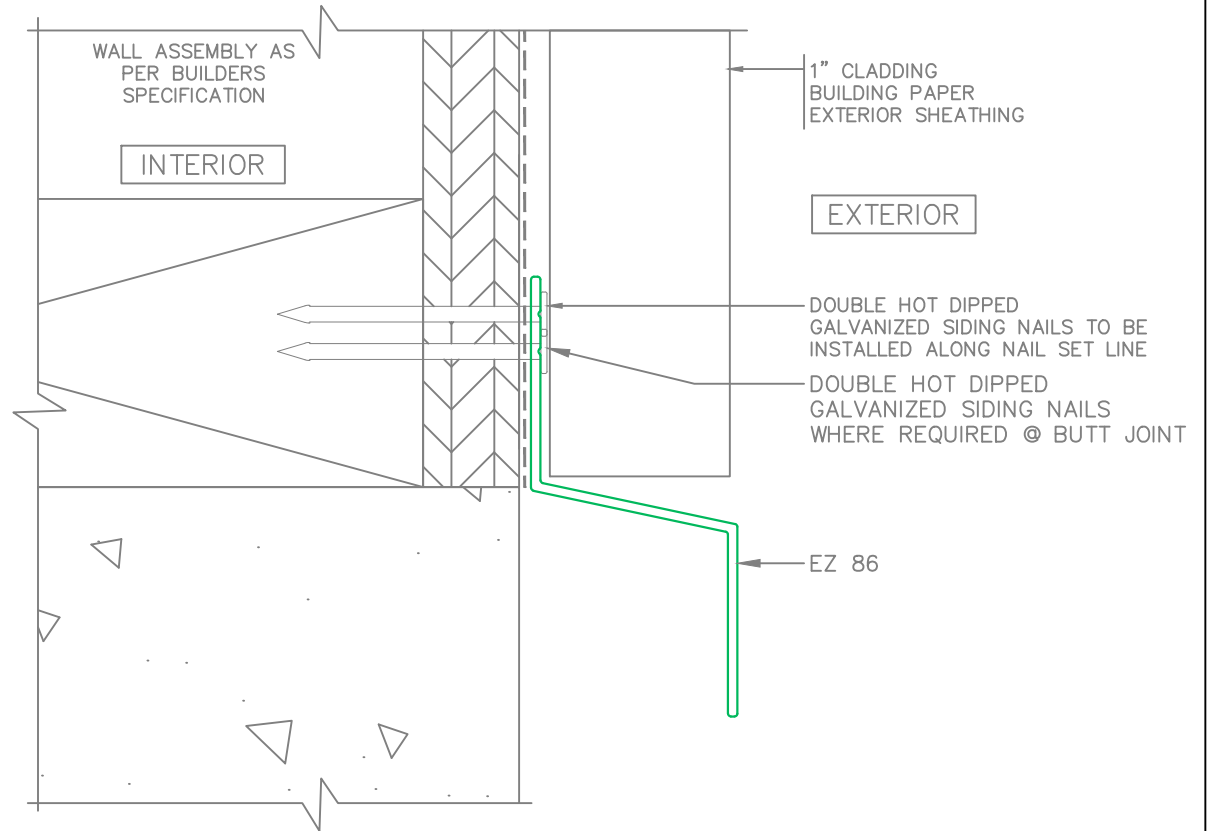
|                                       |         |         |                |
|---------------------------------------|---------|---------|----------------|
| DESCRIPTION                           |         |         |                |
| EZ 83 ARROW OUTSIDE CORNER<br>1" TRIM |         |         |                |
|                                       | SCALE   | NTS     | DRAWING NUMBER |
|                                       | DATE    | APR2024 | EZ83.1         |
|                                       | DRWN BY | HJ/DDG  |                |




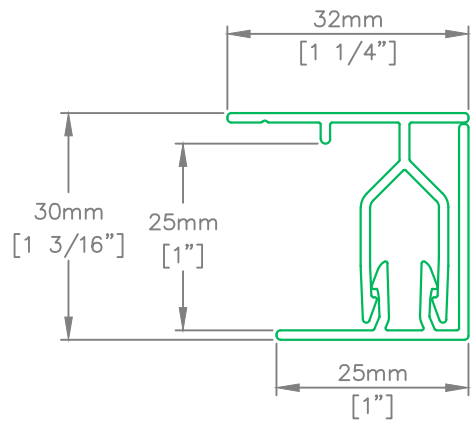
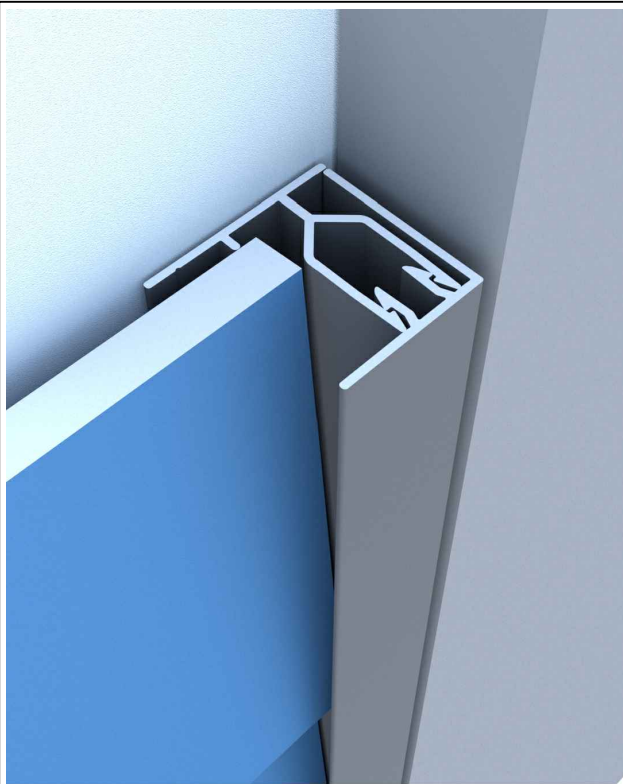
|   |         |         |                |
|---|---------|---------|----------------|
| DESCRIPTION   |         |         |                |
| EZ 84 X OUTSIDE CORNER<br>1" TRIM   |         |         |                |
|  | SCALE   | NTS     | DRAWING NUMBER |
|   | DATE    | APR2024 | EZ84.1         |
|   | DRWN BY | HJ/DDG  |                |



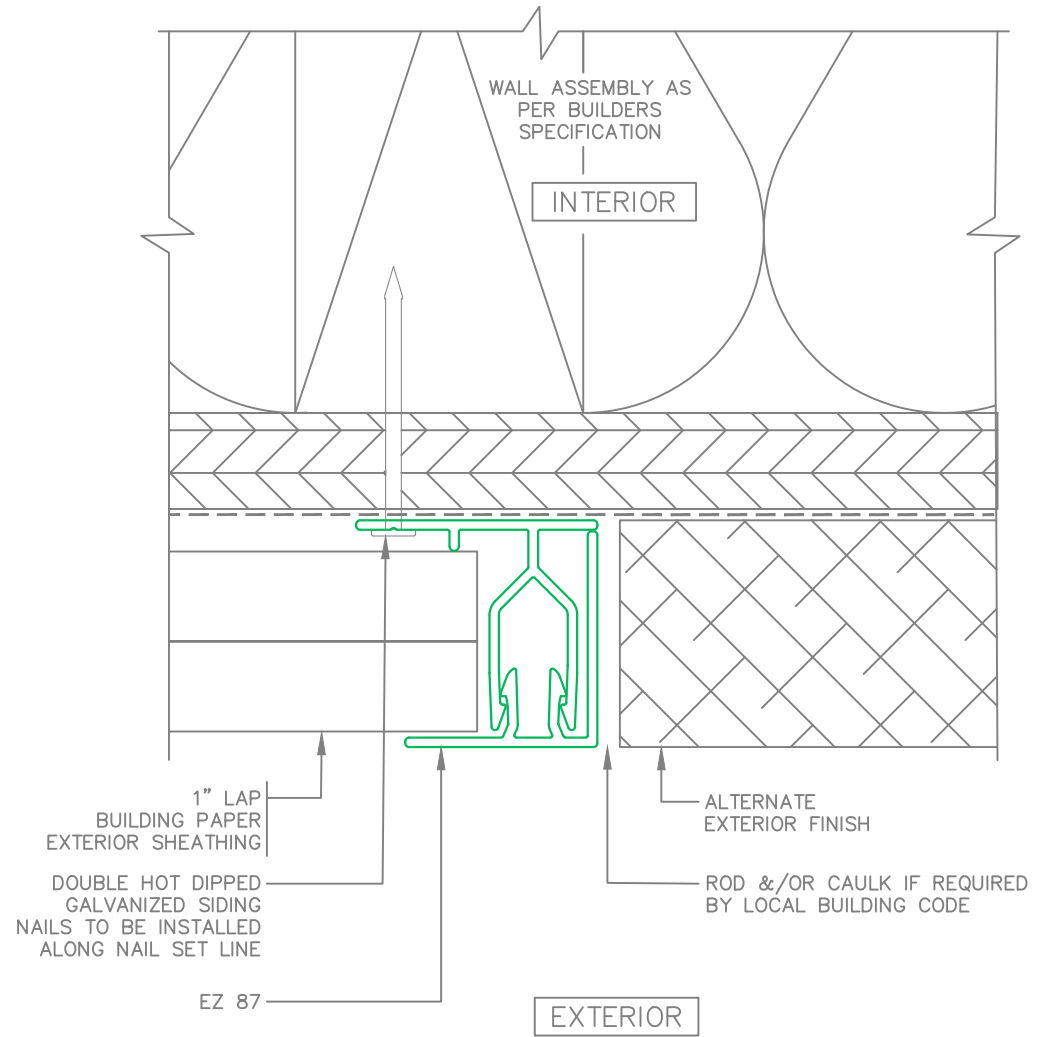
|   |         |         |                |
|---|---------|---------|----------------|
| DESCRIPTION   |         |         |                |
| EZ 85 INSIDE CORNER<br>1" TRIM  |         |         |                |
|  | SCALE   | NTS     | DRAWING NUMBER |
|   | DATE    | APR2024 | EZ85.1         |
|   | DRWN BY | HJ/DDG  |                |




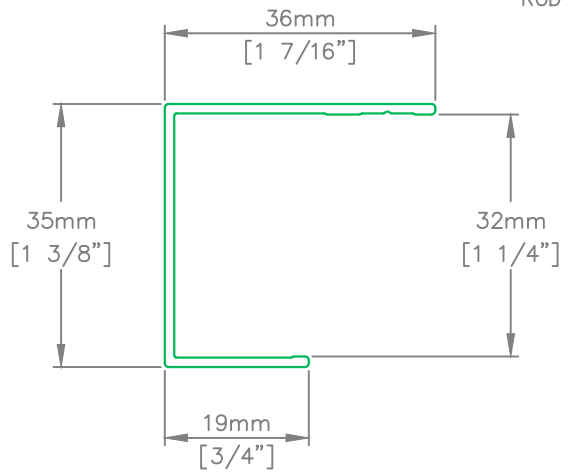
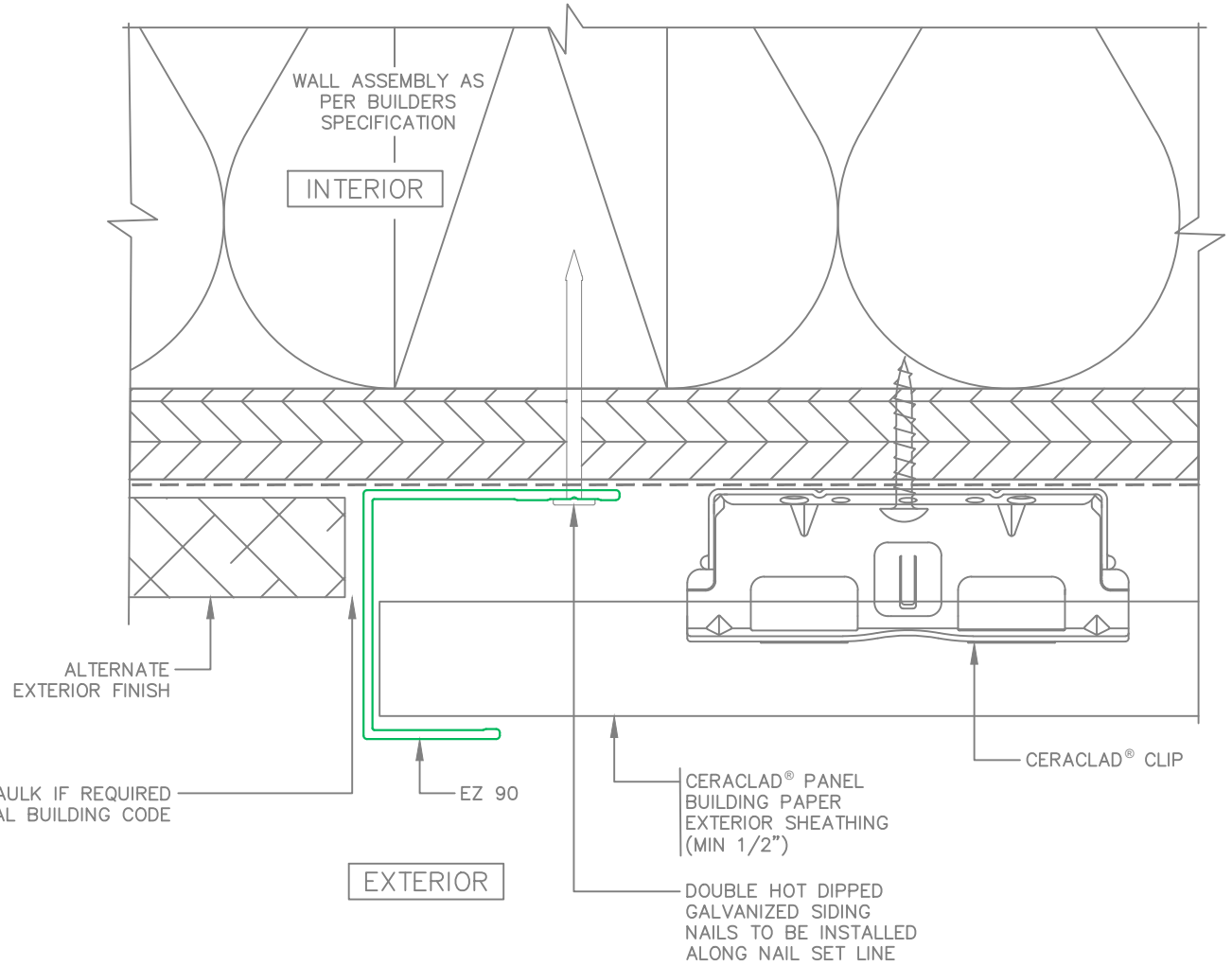
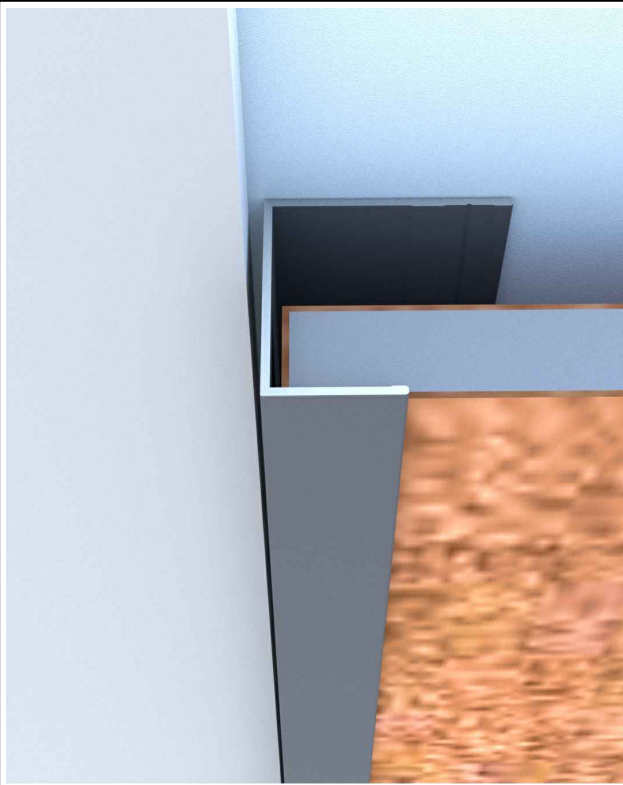
|   |         |         |                |
|---|---------|---------|----------------|
| DESCRIPTION   |         |         |                |
| EZ 86 HORIZONTAL Z<br>1" TRIM   |         |         |                |
|  | SCALE   | NTS     | DRAWING NUMBER |
|   | DATE    | APR2024 | EZ86.1         |
|   | DRWN BY | DDG     |                |



Copyright © 2024 EasyTrim Reveals®. All rights reserved.

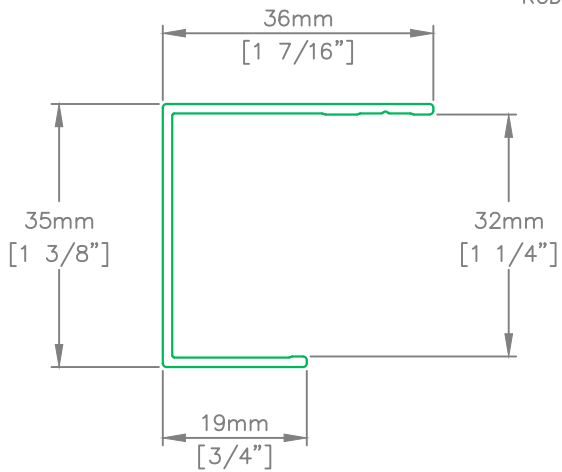
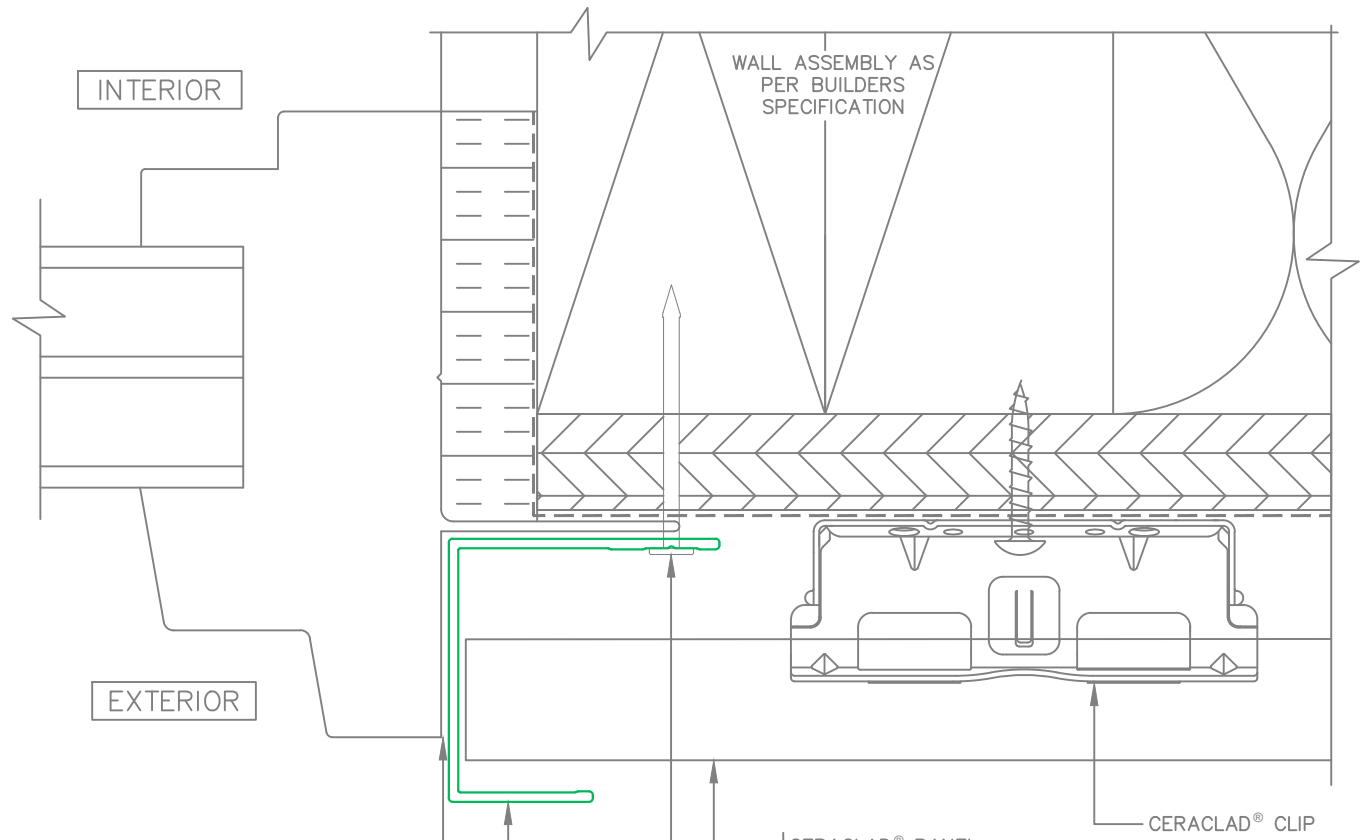
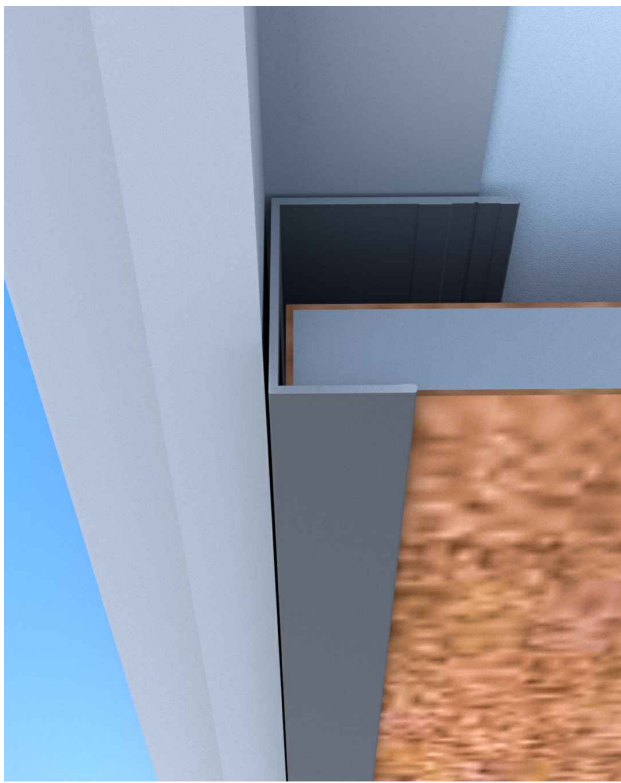


|   |         |         |                |
|---|---------|---------|----------------|
| DESCRIPTION   |         |         |                |
| EZ 87 2-PIECE J<br>1" TRIM  |         |         |                |
|  | SCALE   | NTS     | DRAWING NUMBER |
|   | DATE    | APR2024 | EZ87.1         |
|   | DRWN BY | DDG     |                |



**NOTE:**  
 LOCATION, SPACING & FASTENING OF CERACLAD® STARTER, SPACER AND CLIPS AS PER CERACLAD® SPECIFICATIONS

| DESCRIPTION   |         |         |                |
|---|---------|---------|----------------|
| EZ 90 GENERAL J VERTICAL TERMINATION<br>1-1/4" TRIM |         |         |                |
|   | SCALE   | NTS     | DRAWING NUMBER |
|   | DATE    | APR2024 | EZ90.1         |
|   | DRWN BY | HJ/DDG  |                |



ROD &/OR CAULK IF REQUIRED BY LOCAL BUILDING CODE

EZ 90

CERACLAD® PANEL BUILDING PAPER EXTERIOR SHEATHING (MIN 1/2")

DOUBLE HOT DIPPED GALVANIZED SIDING NAILS TO BE INSTALLED ALONG NAIL SET LINE

CERACLAD® CLIP

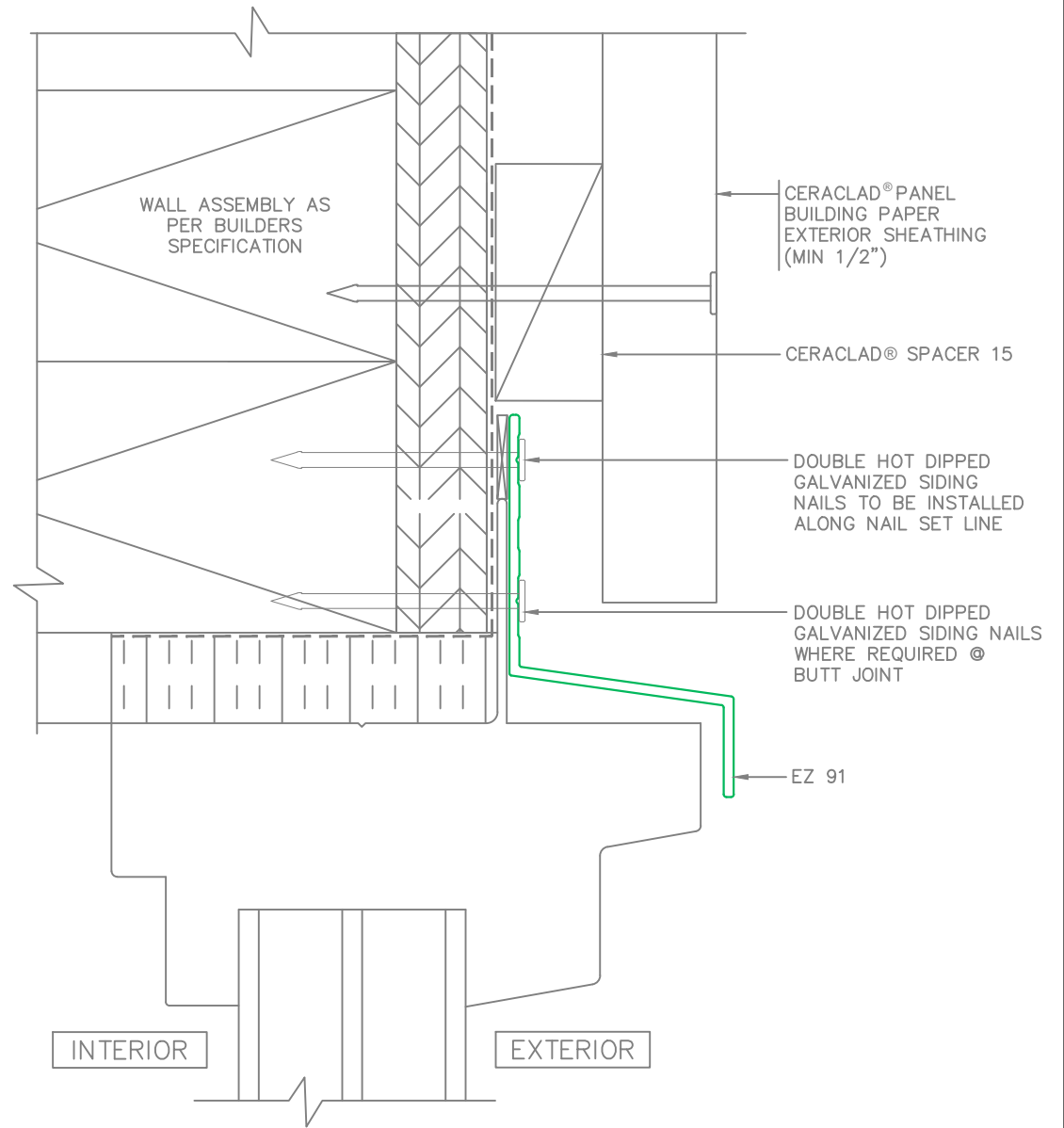
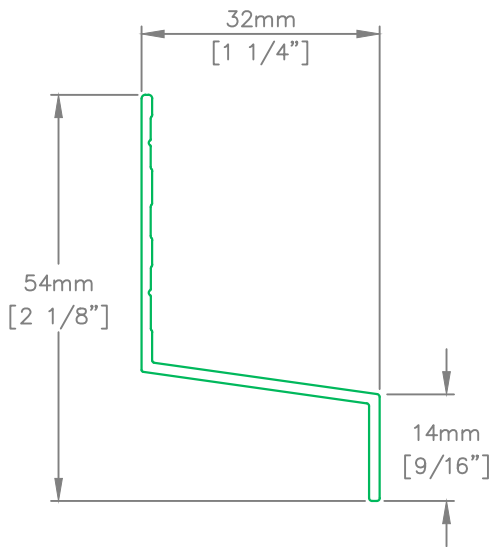
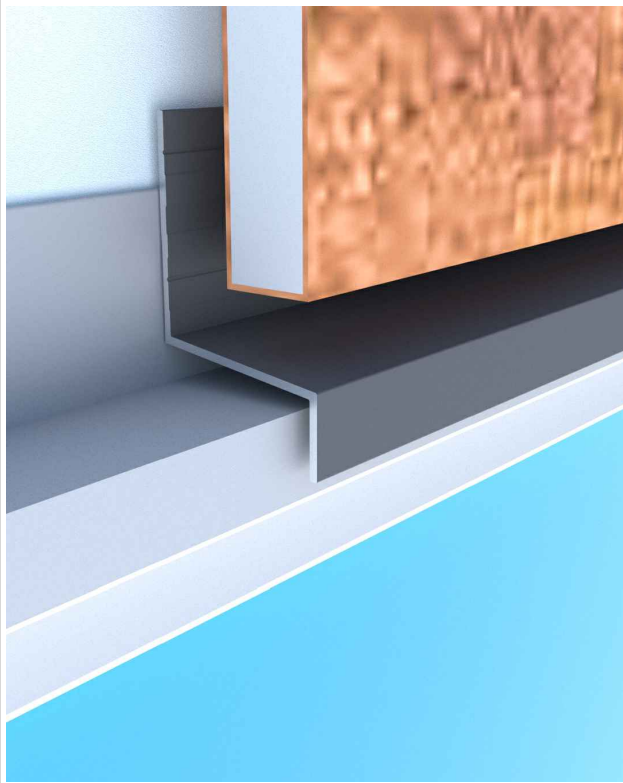
DESCRIPTION

EZ 90 GENERAL J WINDOW JAMB  
1-1/4" TRIM

|  |         |         |                |
|--|---------|---------|----------------|
|  | SCALE   | NTS     | DRAWING NUMBER |
|  | DATE    | APR2024 | EZ90.2         |
|  | DRWN BY | HJ/DDG  |                |

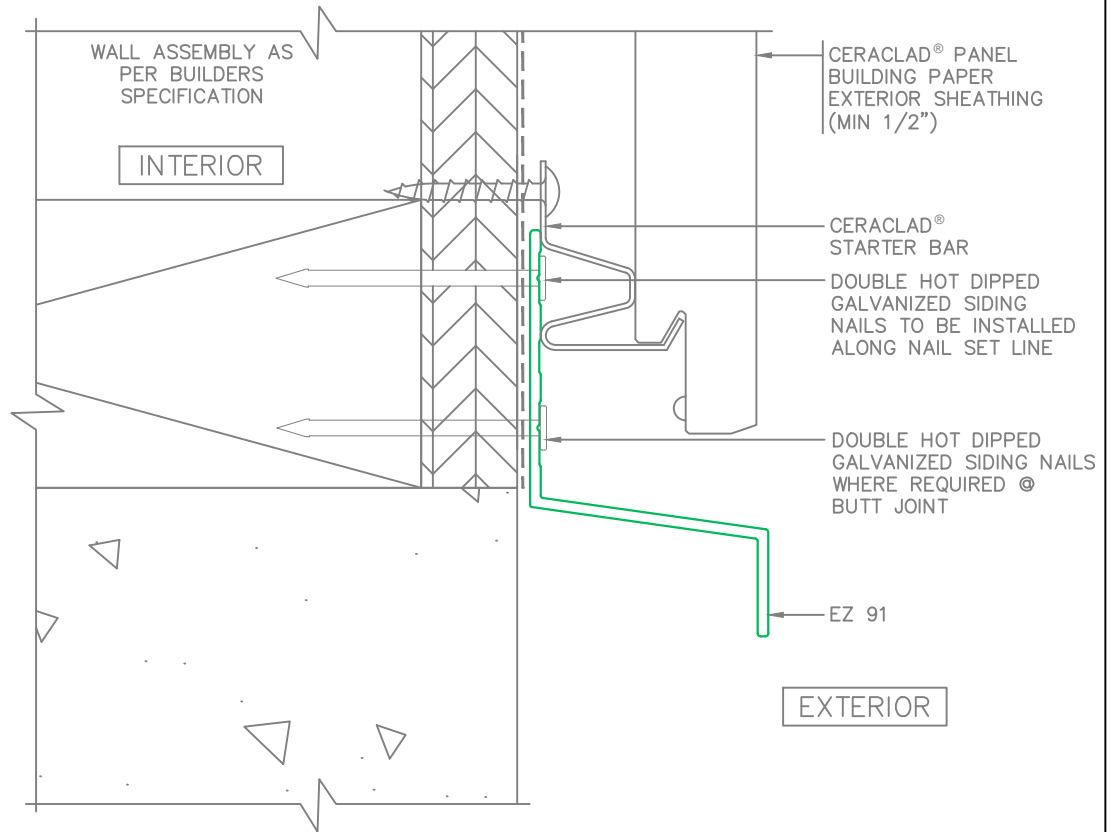
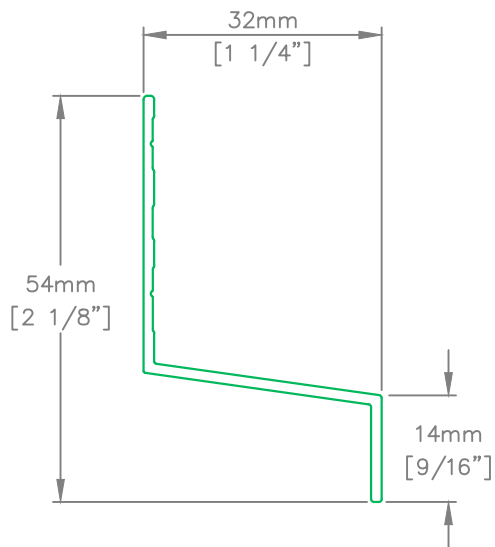
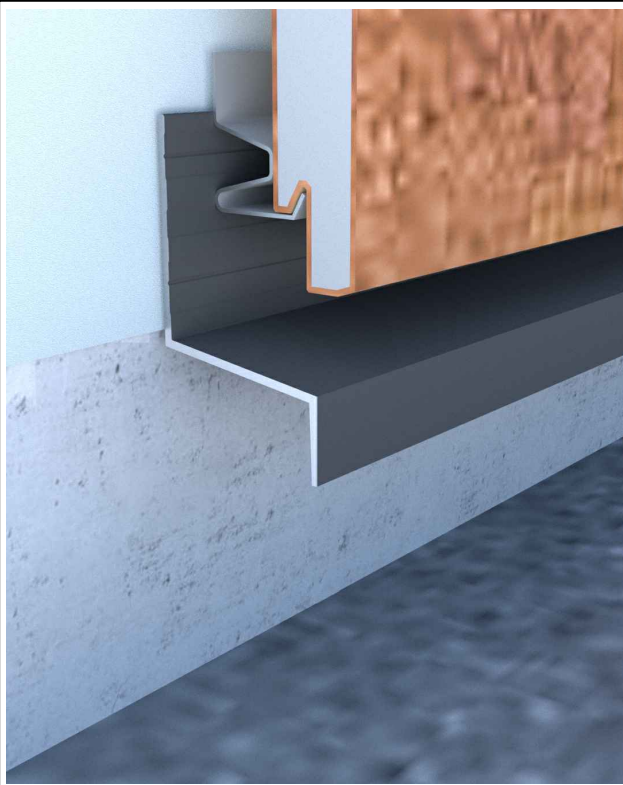
NOTE:  
LOCATION, SPACING & FASTENING OF CERACLAD® STARTER, SPACER AND CLIPS AS PER CERACLAD® SPECIFICATIONS






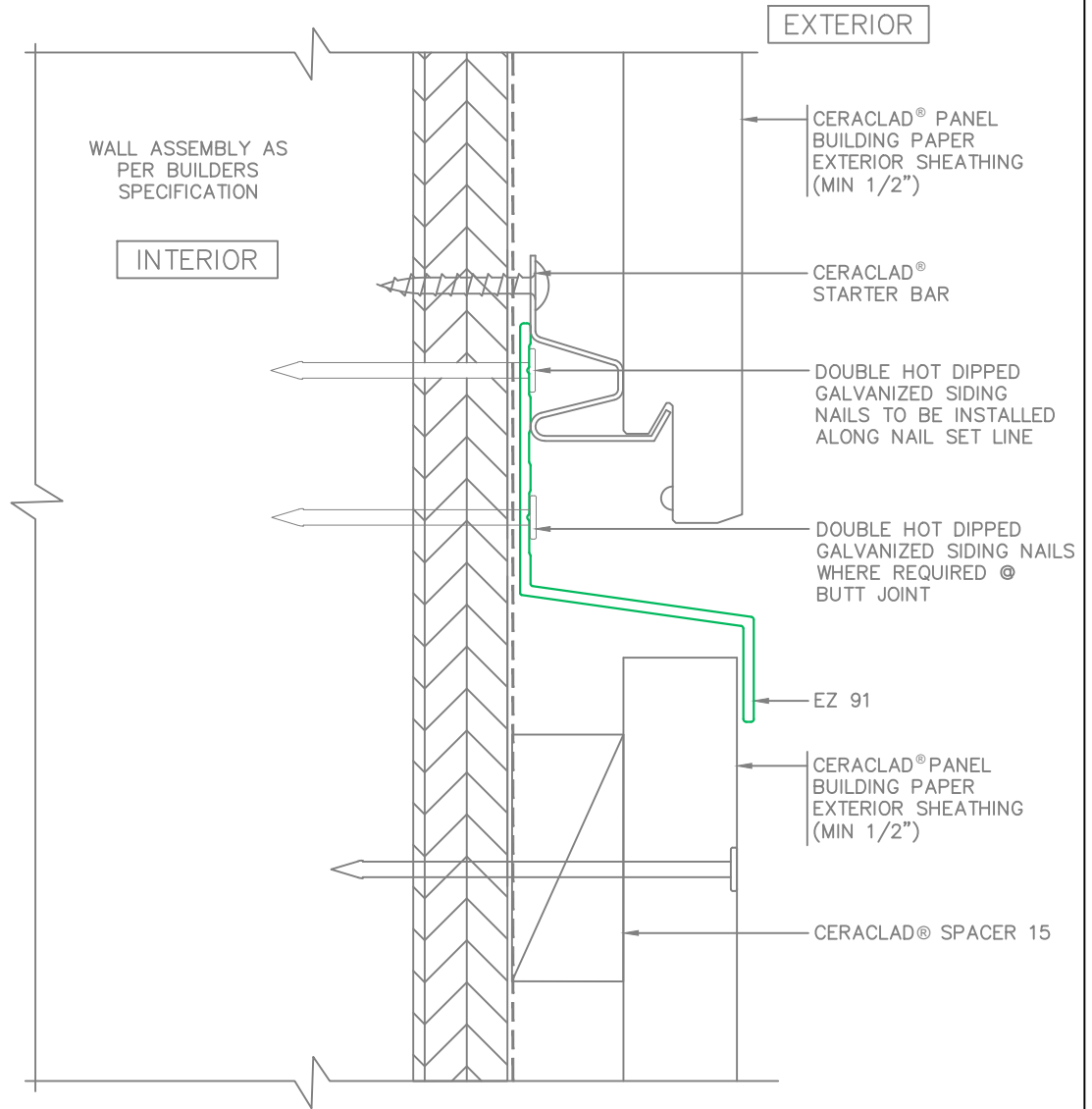
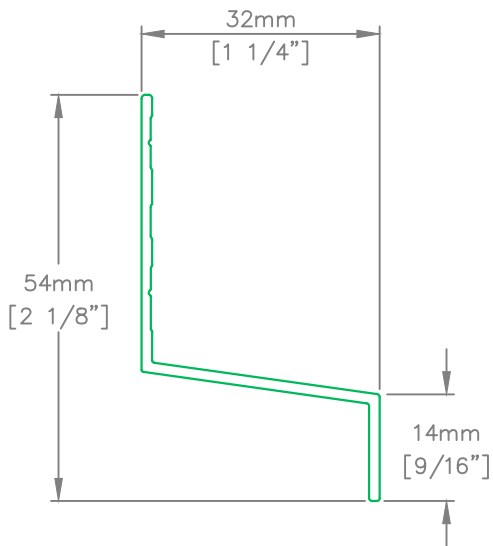
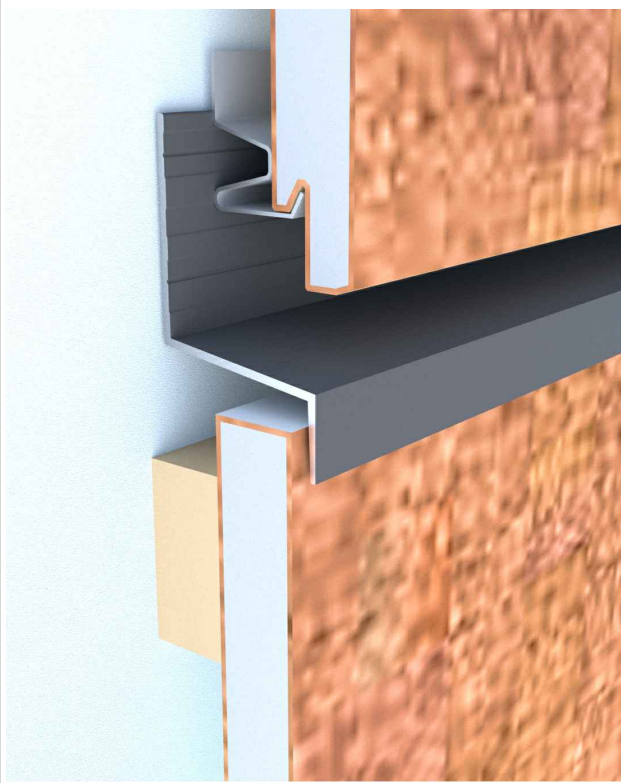
**NOTE:**  
 LOCATION, SPACING & FASTENING OF  
 CERACLAD® STARTER, SPACER AND CLIPS  
 AS PER CERACLAD® SPECIFICATIONS

| DESCRIPTION   |         |         |                |
|---|---------|---------|----------------|
| EZ 91 HORIZONTAL Z WINDOW HEAD<br>1-1/4" TRIM   |         |         |                |
|  | SCALE   | NTS     | DRAWING NUMBER |
|   | DATE    | APR2024 | EZ91.1         |
|   | DRWN BY | HJ/DDG  |                |




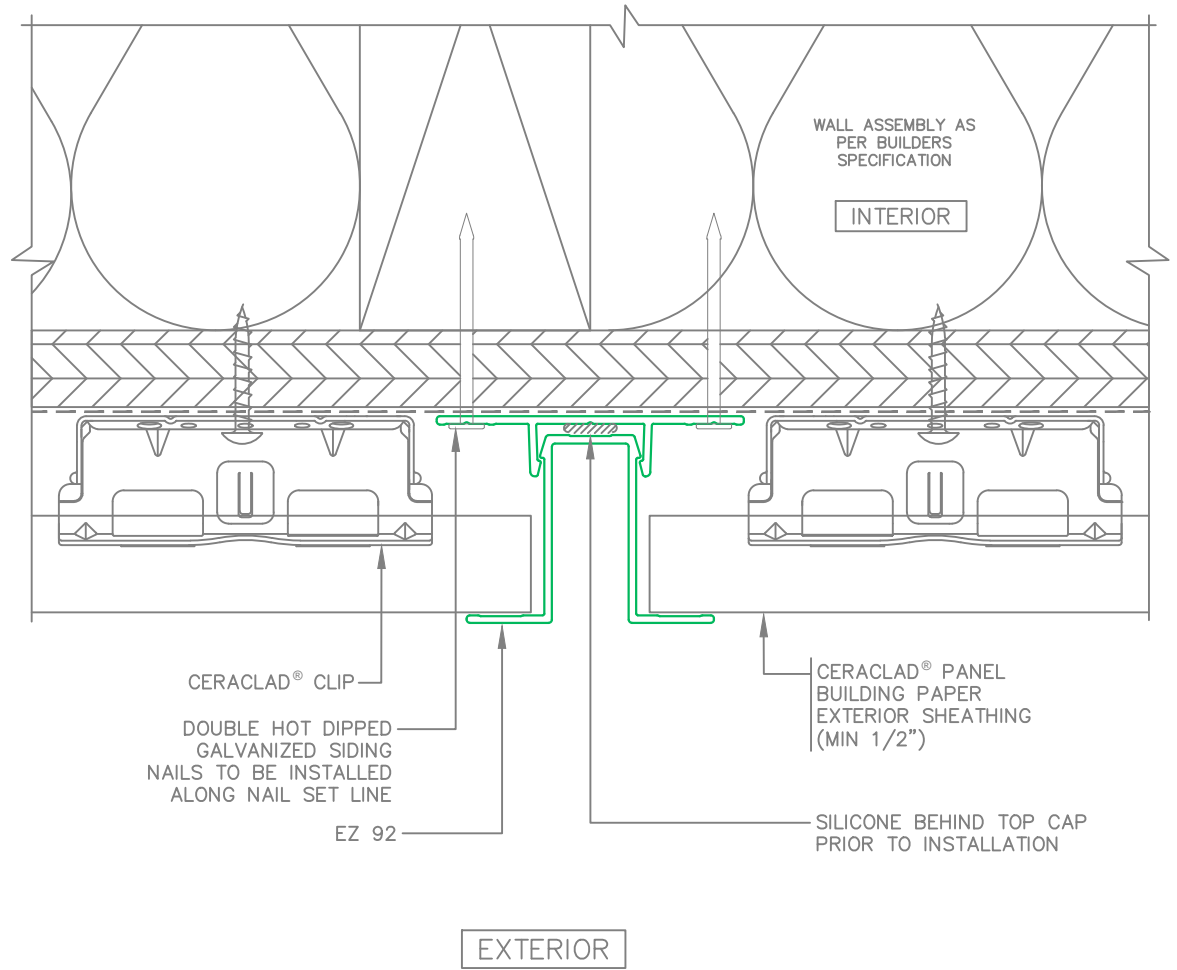
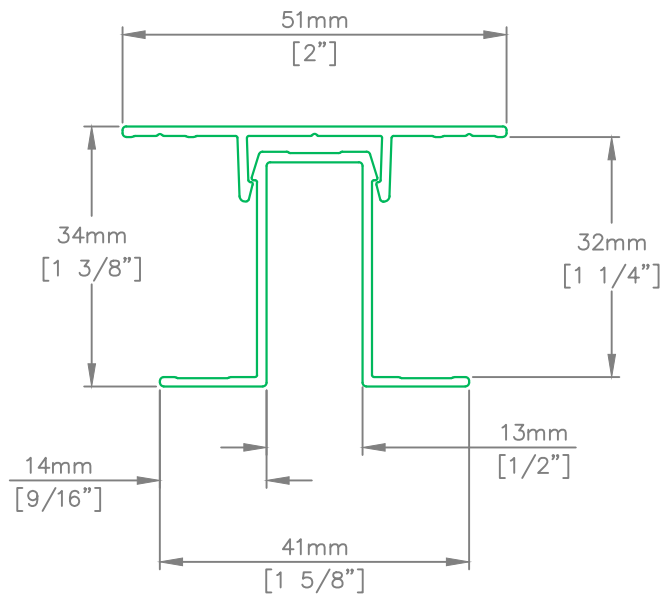
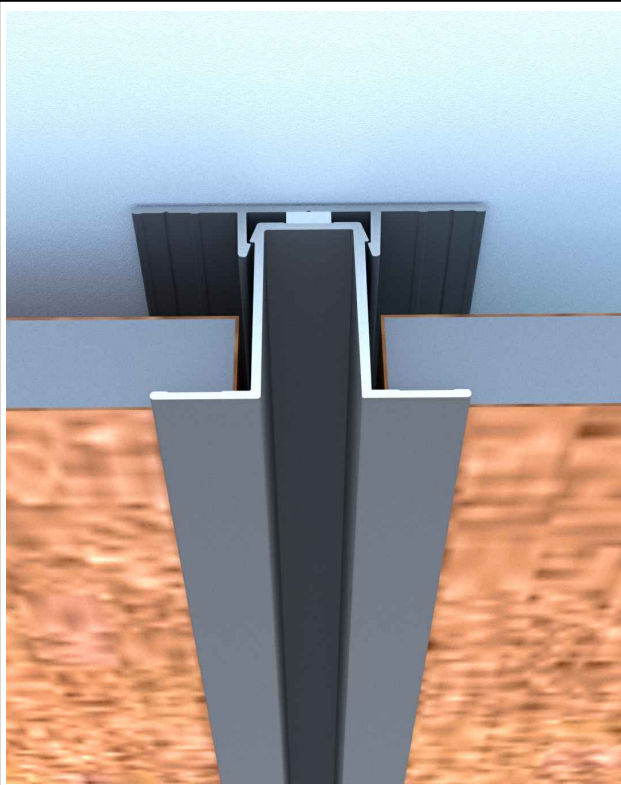
**NOTE:**  
 LOCATION, SPACING & FASTENING OF  
 CERACLAD® STARTER, SPACER AND CLIPS  
 AS PER CERACLAD® SPECIFICATIONS

|   |         |         |                |
|---|---------|---------|----------------|
| DESCRIPTION   |         |         |                |
| EZ 91 HORIZONTAL Z @ BASE<br>STARTER 1-1/4" TRIM                                      |         |         |                |
|  | SCALE   | NTS     | DRAWING NUMBER |
|   | DATE    | APR2024 | EZ91.2         |
|   | DRWN BY | HJ/DDG  |                |




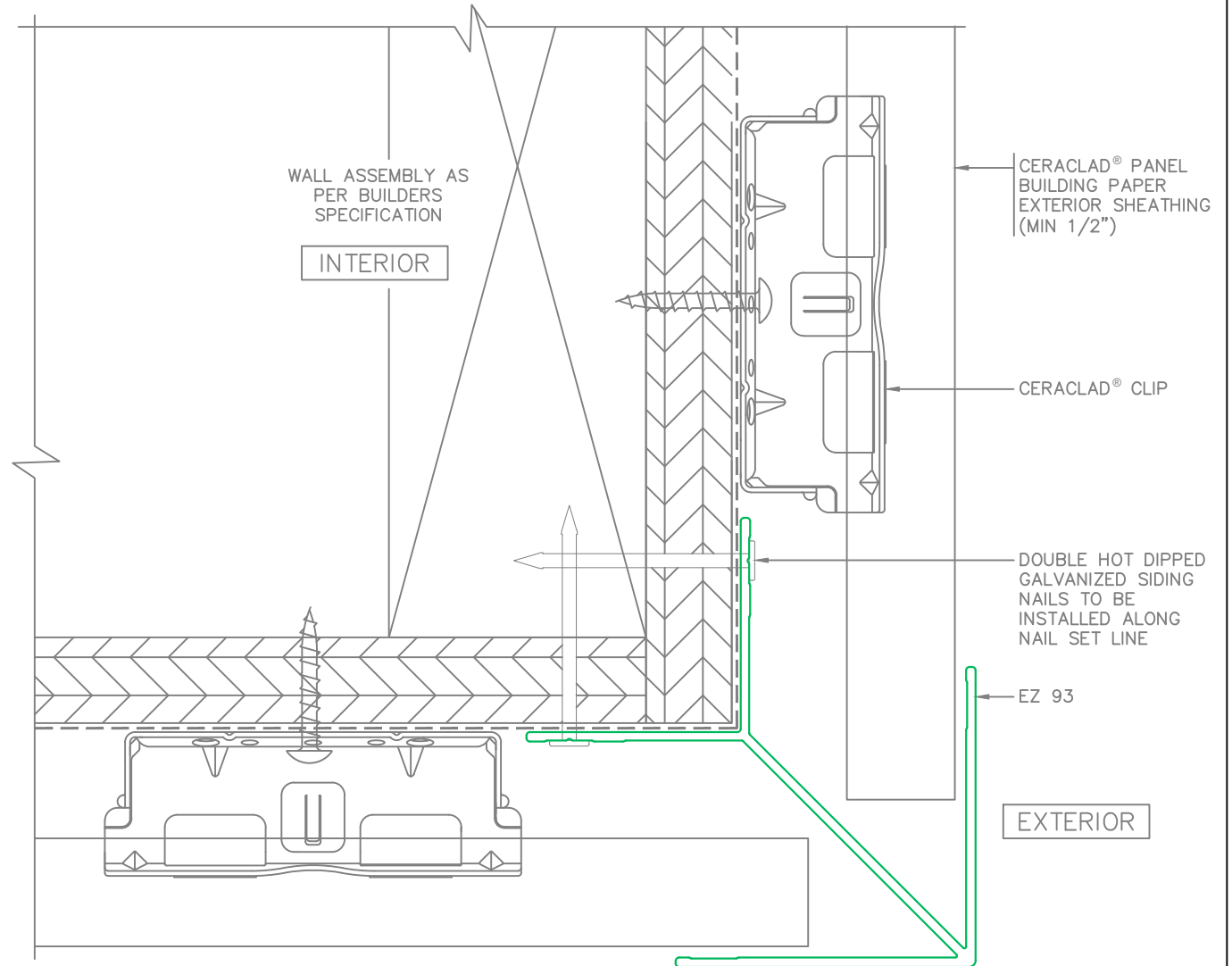
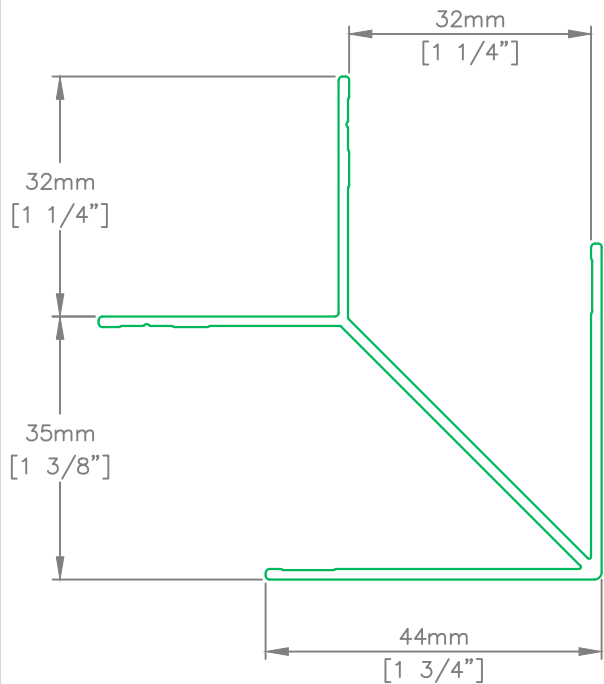
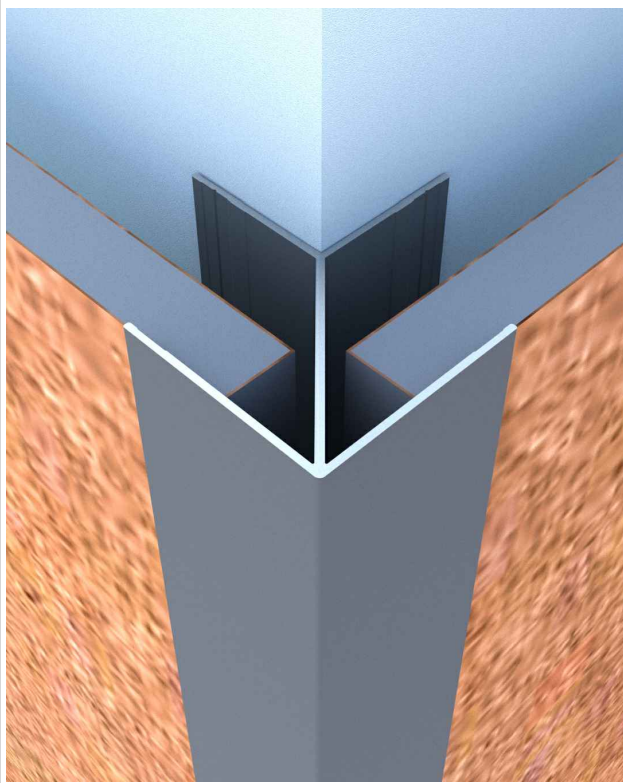
**NOTE:**  
 LOCATION, SPACING & FASTENING OF  
 CERACLAD® STARTER, SPACER AND CLIPS  
 AS PER CERACLAD® SPECIFICATIONS

| DESCRIPTION   |         |         |                |
|---|---------|---------|----------------|
| EZ 91 HORIZONTAL Z @ MIDWALL<br>1-1/4" TRIM   |         |         |                |
|  | SCALE   | NTS     | DRAWING NUMBER |
|   | DATE    | APR2024 | EZ91.3         |
|   | DRWN BY | HJ/DDG  |                |




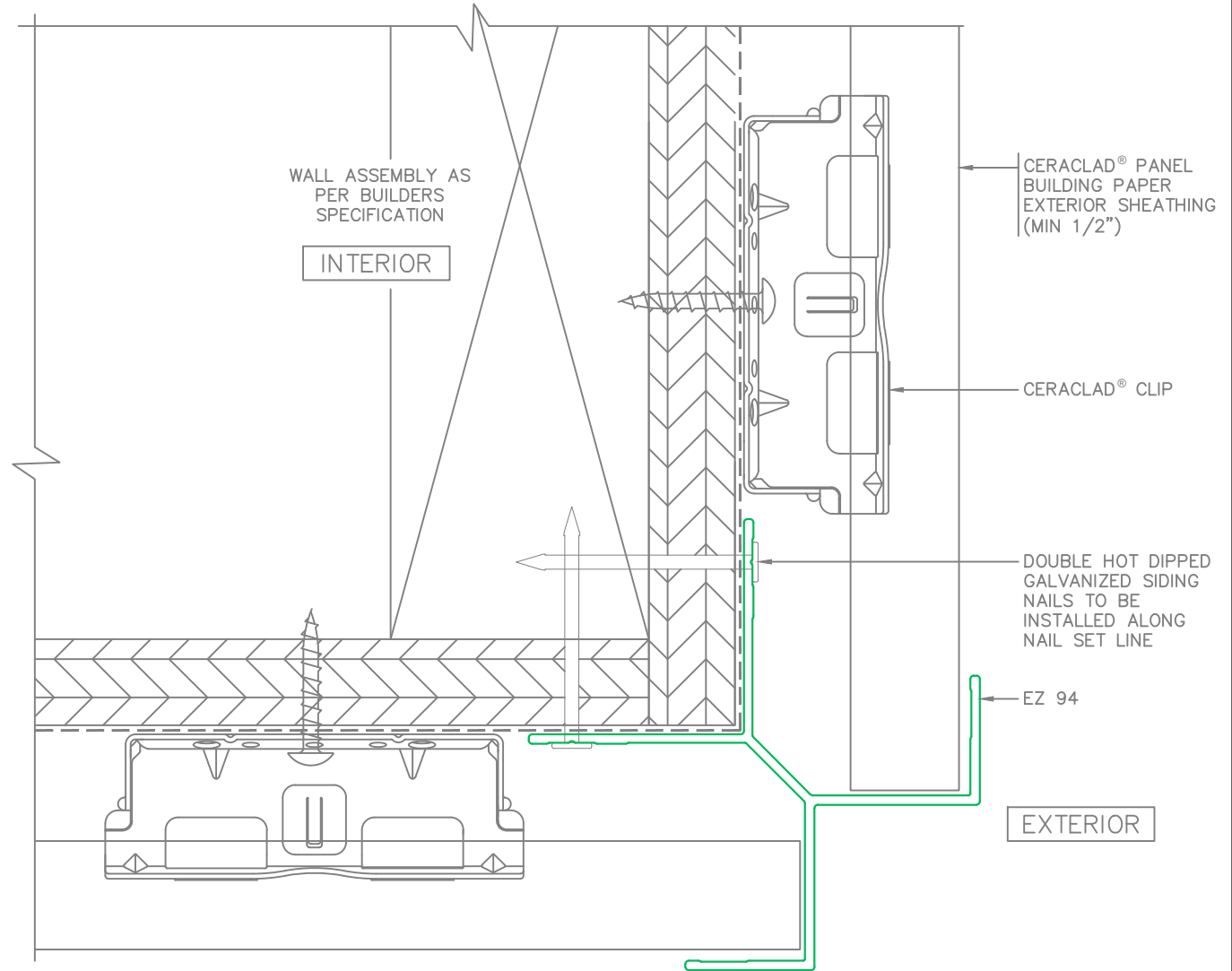
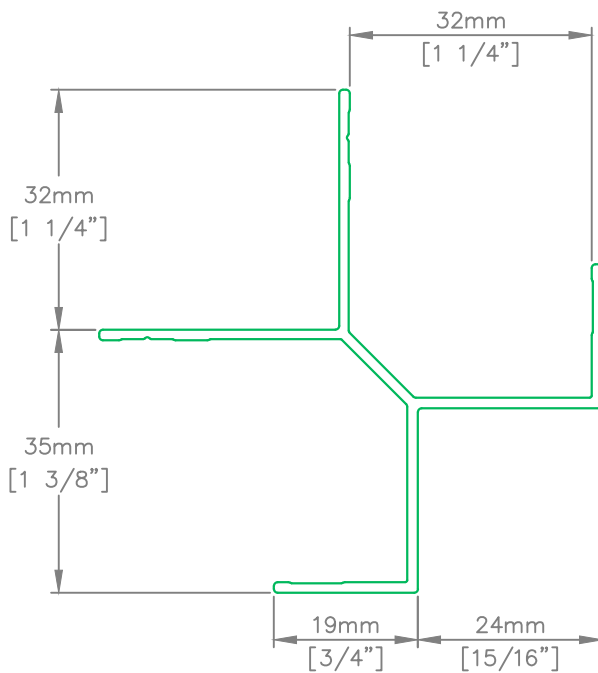
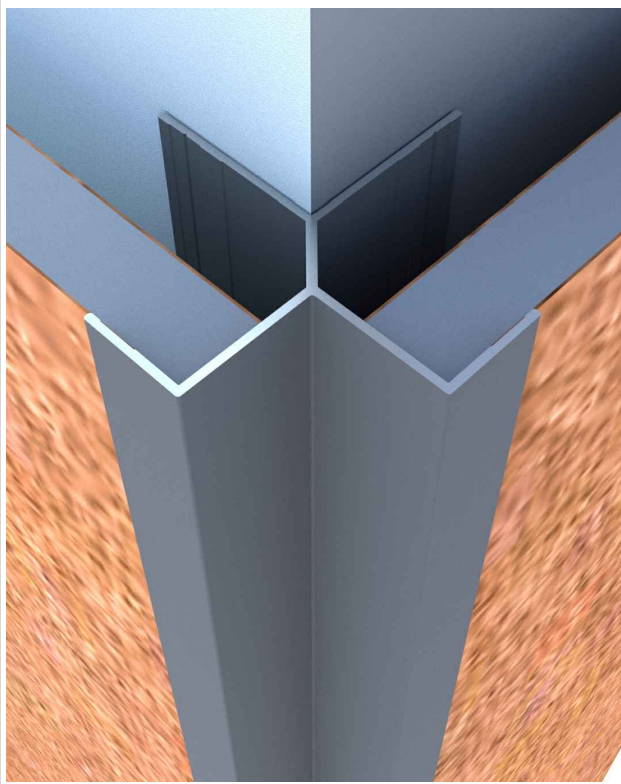
**NOTE:**  
 LOCATION, SPACING & FASTENING OF  
 CERACLAD® STARTER, SPACER AND CLIPS  
 AS PER CERACLAD® SPECIFICATIONS

| DESCRIPTION   |         |         |                |
|---|---------|---------|----------------|
| EZ 92 2-PIECE VERTICAL U<br>1-1/4" TRIM   |         |         |                |
|  | SCALE   | NTS     | DRAWING NUMBER |
|   | DATE    | APR2024 | EZ92.1         |
|   | DRWN BY | HJ/DDG  |                |




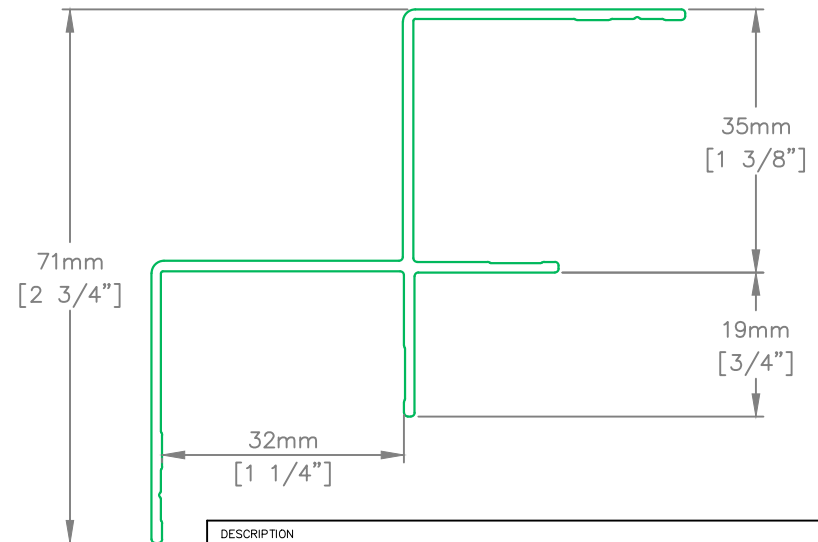
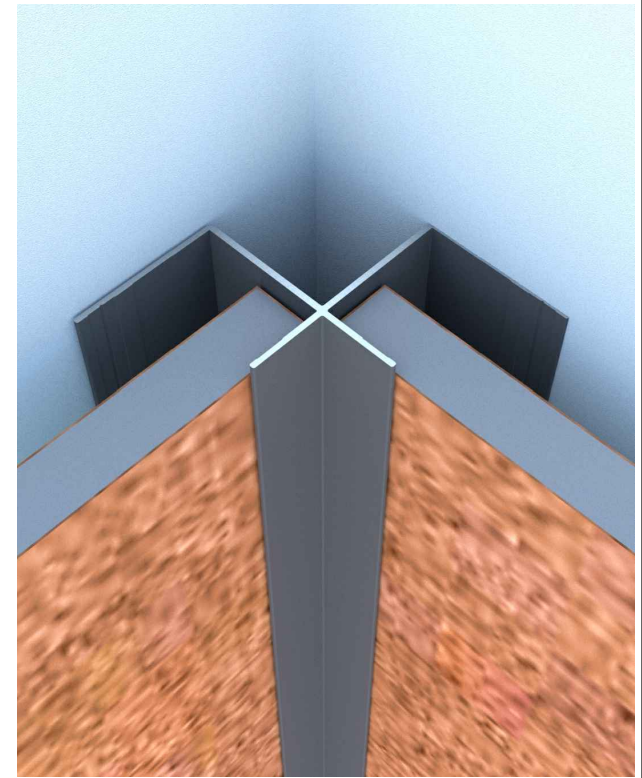
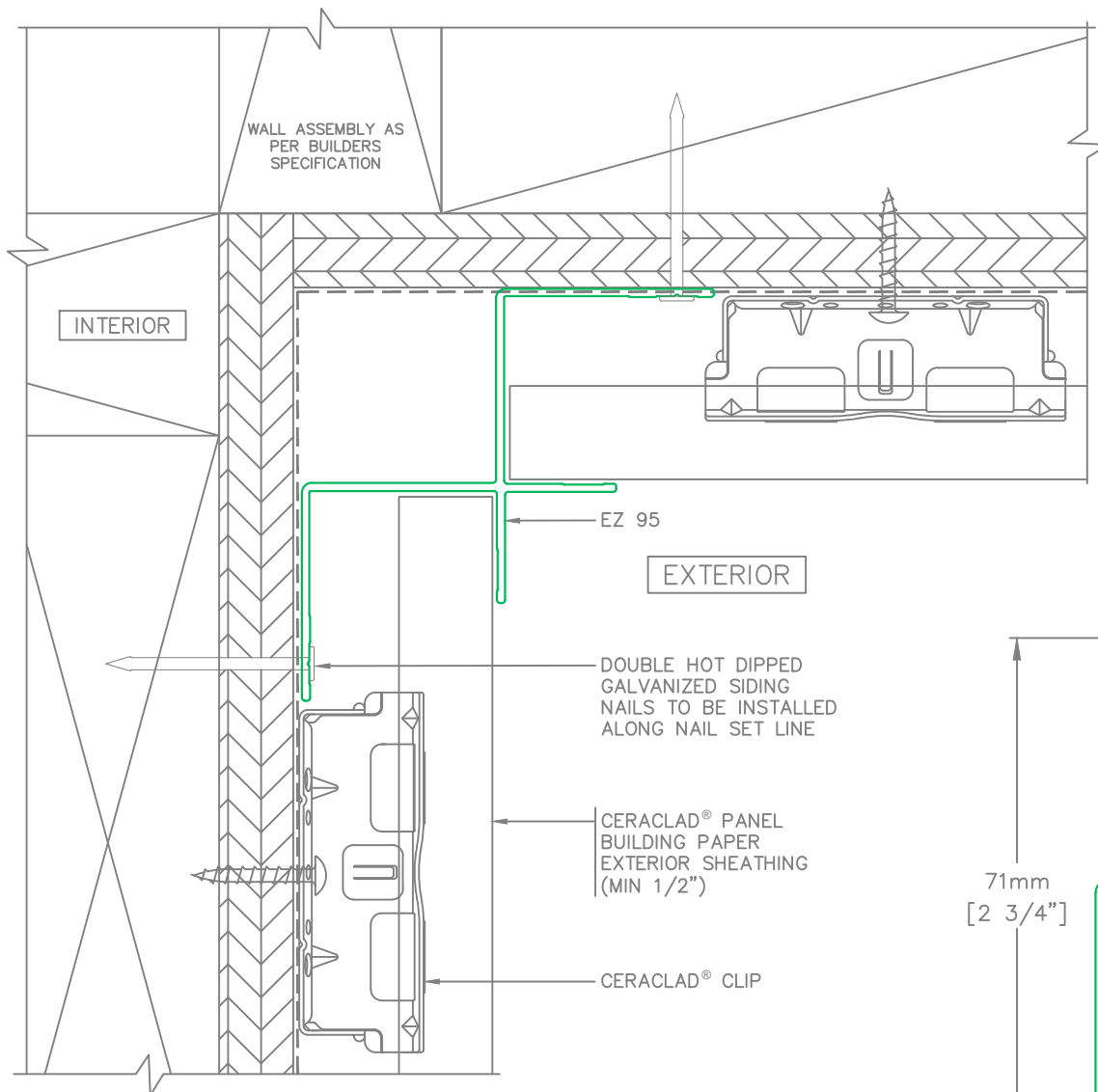
NOTE:  
LOCATION, SPACING & FASTENING OF  
CERACLAD® STARTER, SPACER AND CLIPS  
AS PER CERACLAD® SPECIFICATIONS


| DESCRIPTION   |         |         |                |
|---|---------|---------|----------------|
| EZ 93 ARROW OUTSIDE CORNER<br>1-1/4" TRIM   |         |         |                |
|  | SCALE   | NTS     | DRAWING NUMBER |
|   | DATE    | APR2024 | EZ93.1         |
|   | DRWN BY | HJ/DDG  |                |



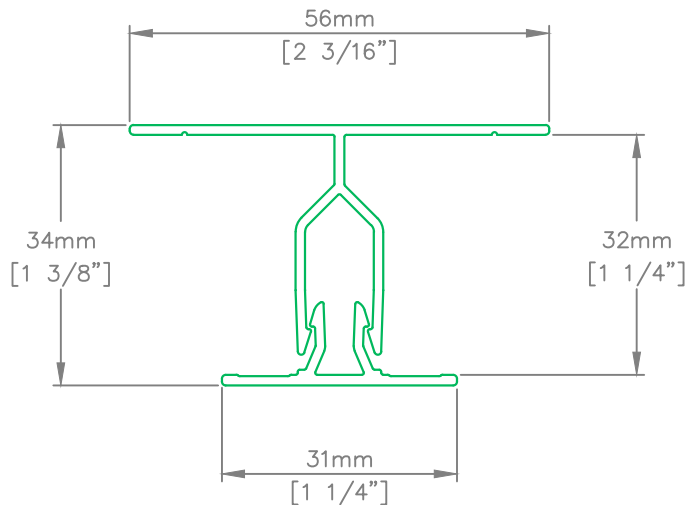
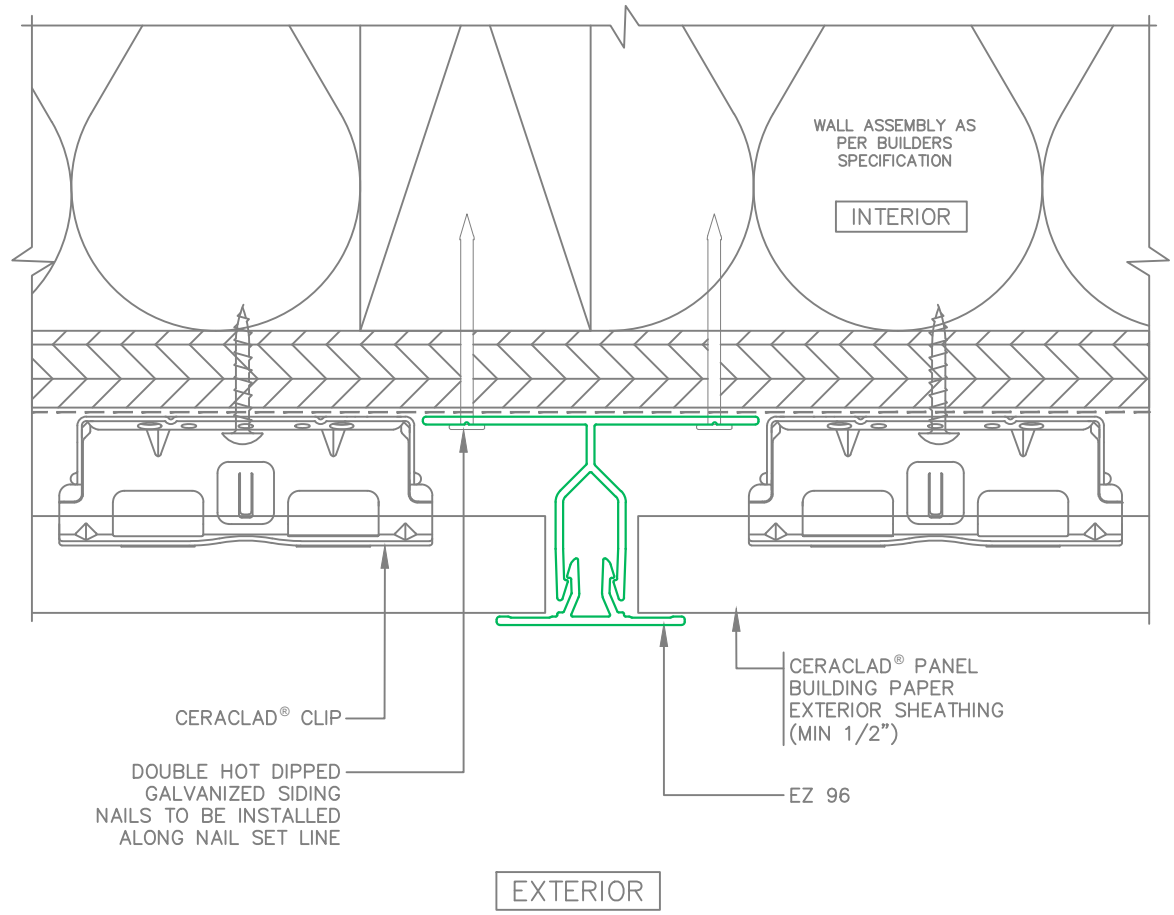
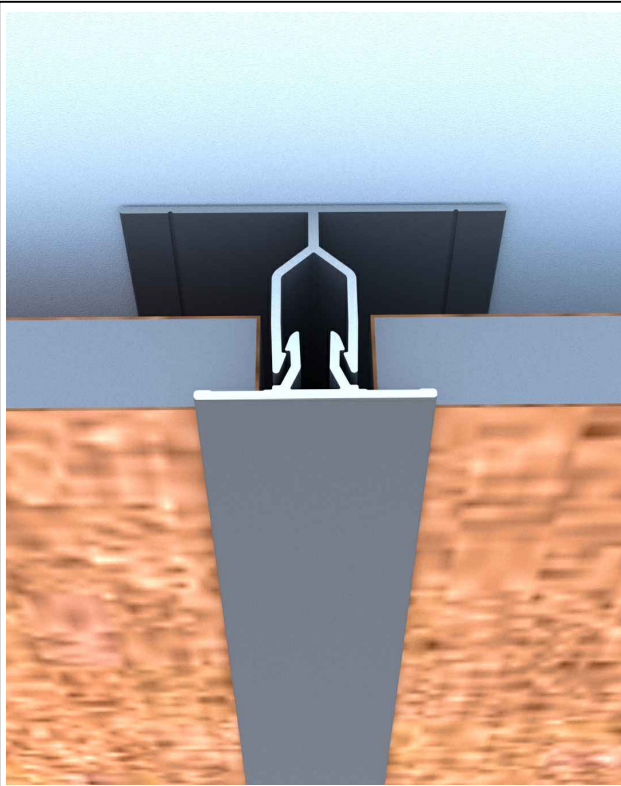
**NOTE:**  
 LOCATION, SPACING & FASTENING OF  
 CERACLAD® STARTER, SPACER AND CLIPS  
 AS PER CERACLAD® SPECIFICATIONS

| DESCRIPTION   |         |         |                |
|---|---------|---------|----------------|
| EZ 94 X OUTSIDE CORNER<br>1-1/4" TRIM   |         |         |                |
|  | SCALE   | NTS     | DRAWING NUMBER |
|   | DATE    | APR2024 | EZ94.1         |
|   | DRWN BY | HJ/DDG  |                |




|   |         |         |                |
|---|---------|---------|----------------|
| DESCRIPTION   |         |         |                |
| EZ 95 INSIDE CORNER<br>1-1/4" TRIM  |         |         |                |
|  | SCALE   | NTS     | DRAWING NUMBER |
|   | DATE    | APR2024 | EZ95.1         |
|   | DRWN BY | HJ/DDG  |                |

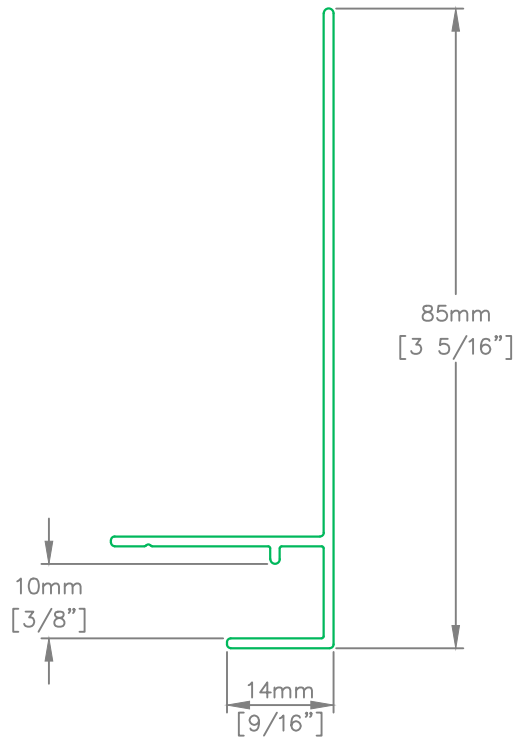
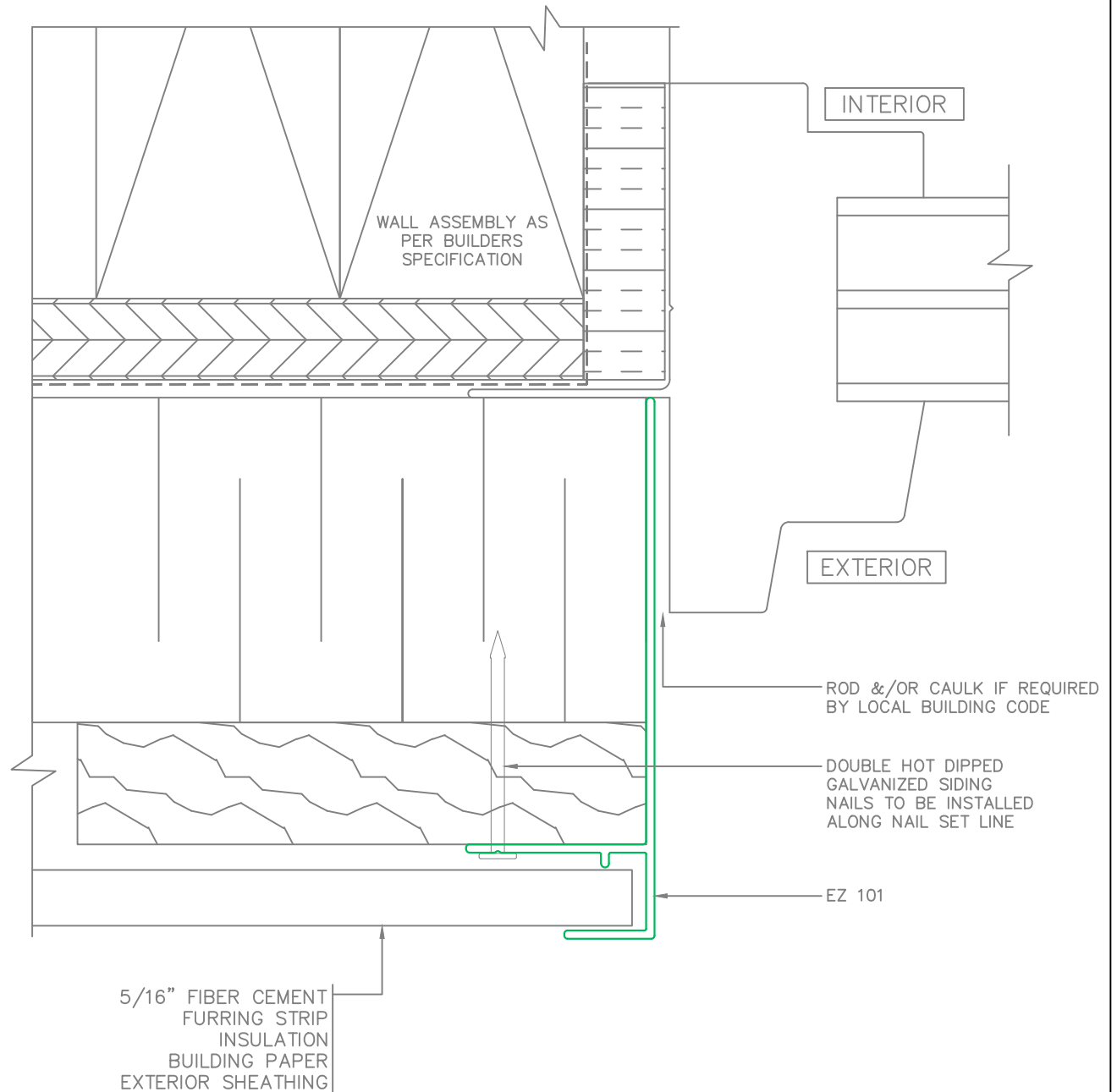
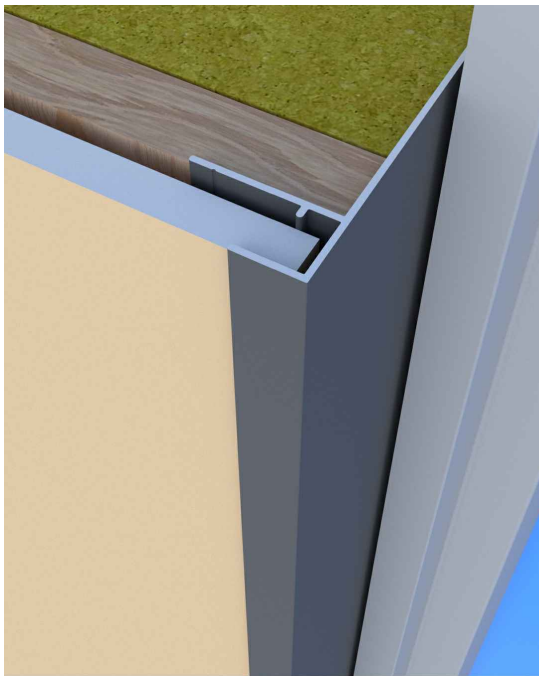
NOTE:  
LOCATION, SPACING & FASTENING OF  
CERACLAD® STARTER, SPACER AND CLIPS  
AS PER CERACLAD® SPECIFICATIONS



NOTE:  
LOCATION, SPACING & FASTENING OF CERACLAD® STARTER, SPACER AND CLIPS AS PER CERACLAD® SPECIFICATIONS

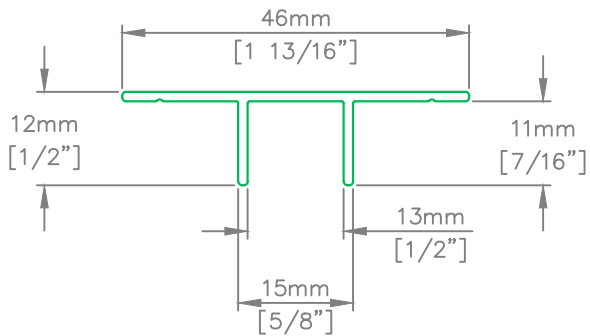
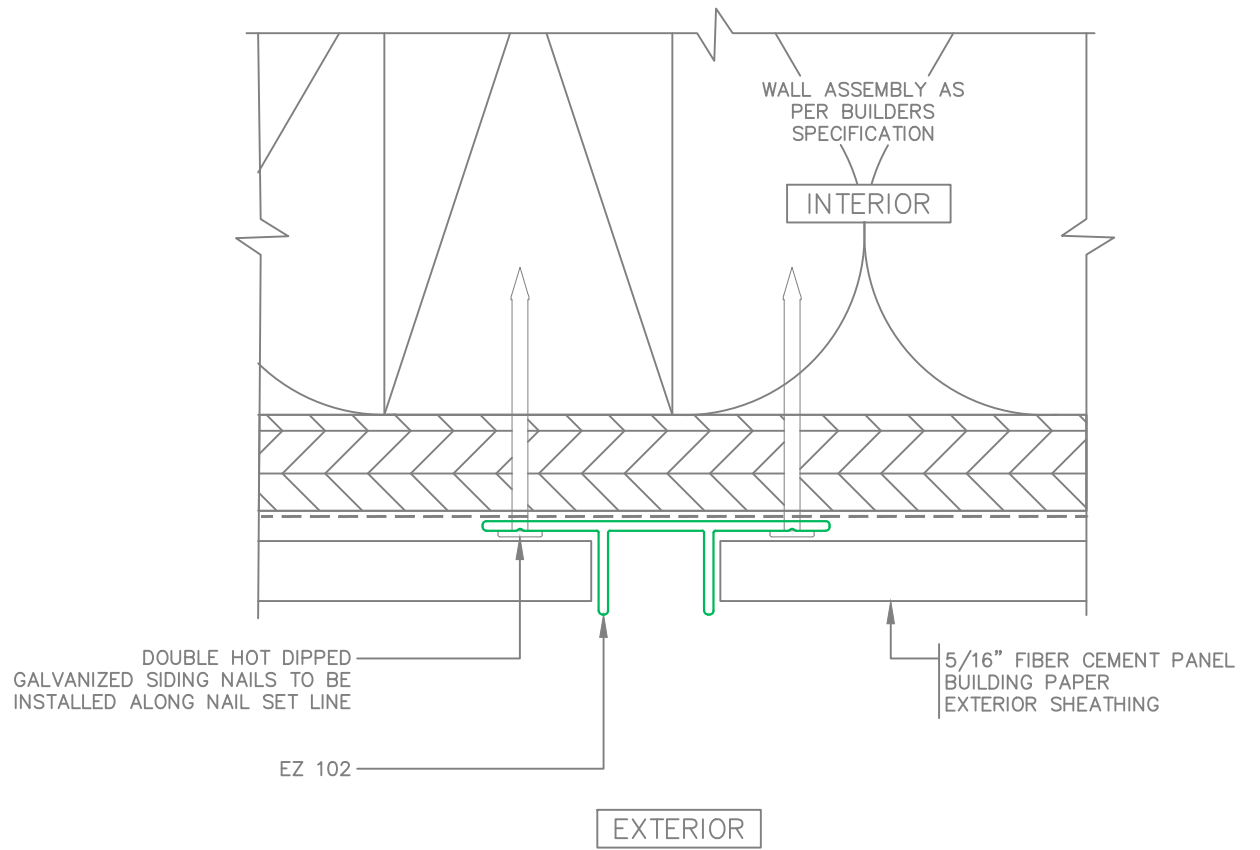
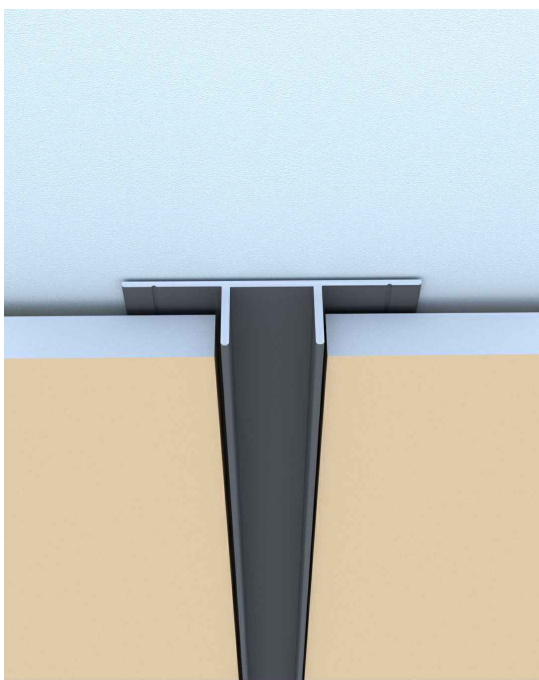
|   |         |         |                |
|---|---------|---------|----------------|
| DESCRIPTION   |         |         |                |
| EZ 96 2-PIECE VERTICAL SLT 1-1/4" TRIM  |         |         |                |
|  | SCALE   | NTS     | DRAWING NUMBER |
|   | DATE    | APR2024 | EZ96.1         |
|   | DRWN BY | HJ/DDG  |                |




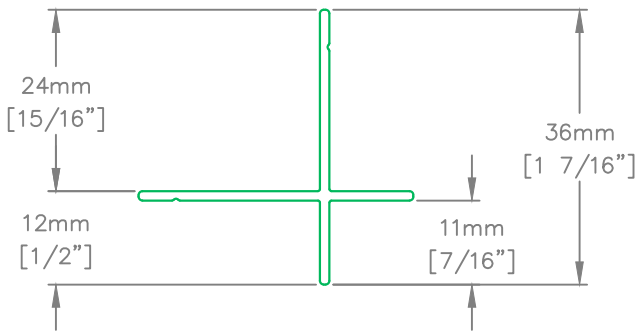
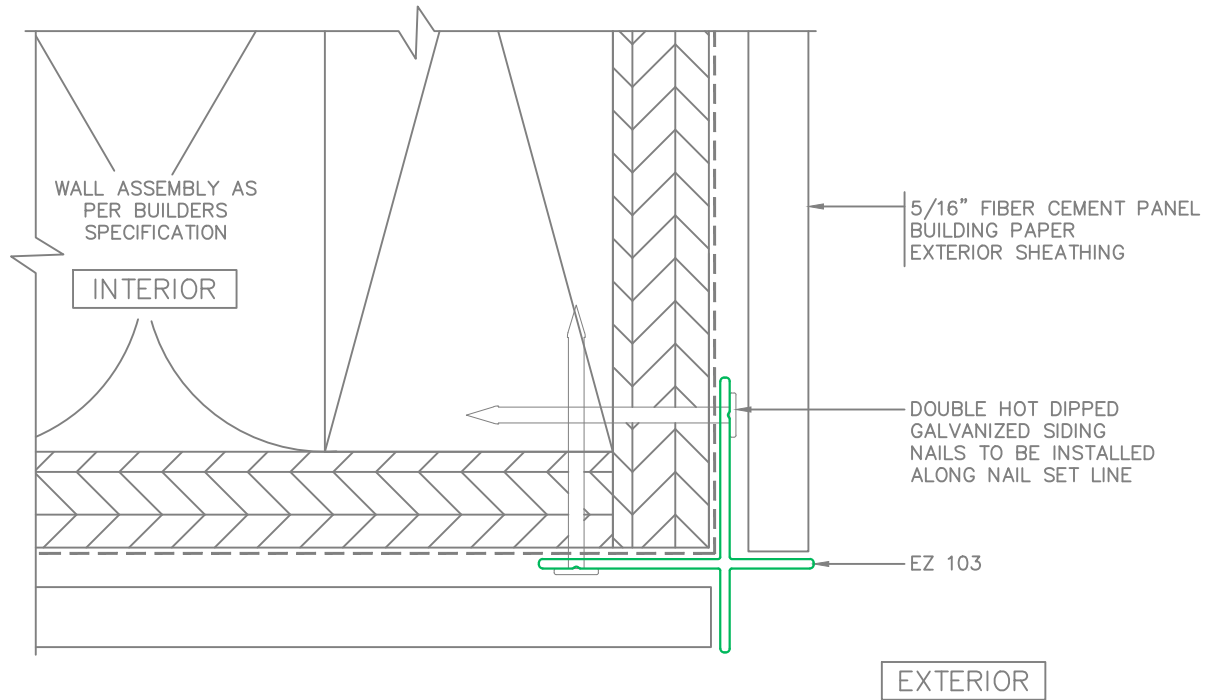
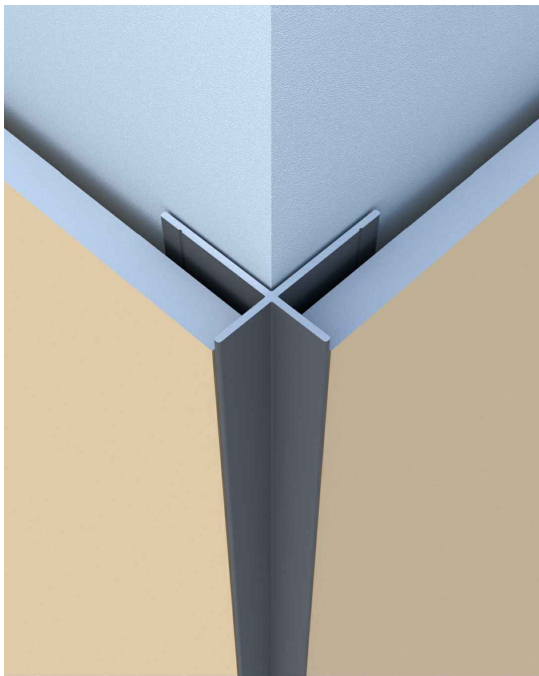


DESCRIPTION  
**EZ 101 VERTICAL 2" INSULATED WINDOW & DOOR JAMB 5/16" TRIM**

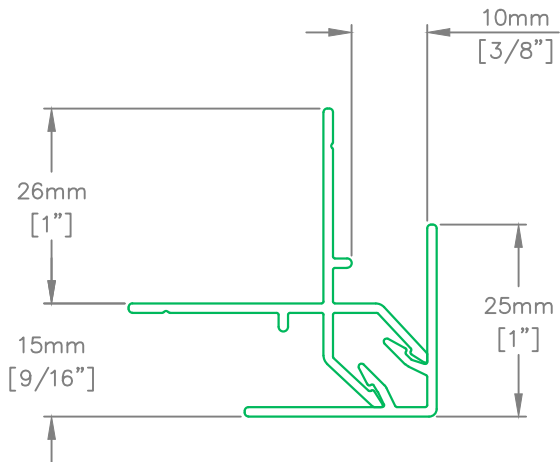
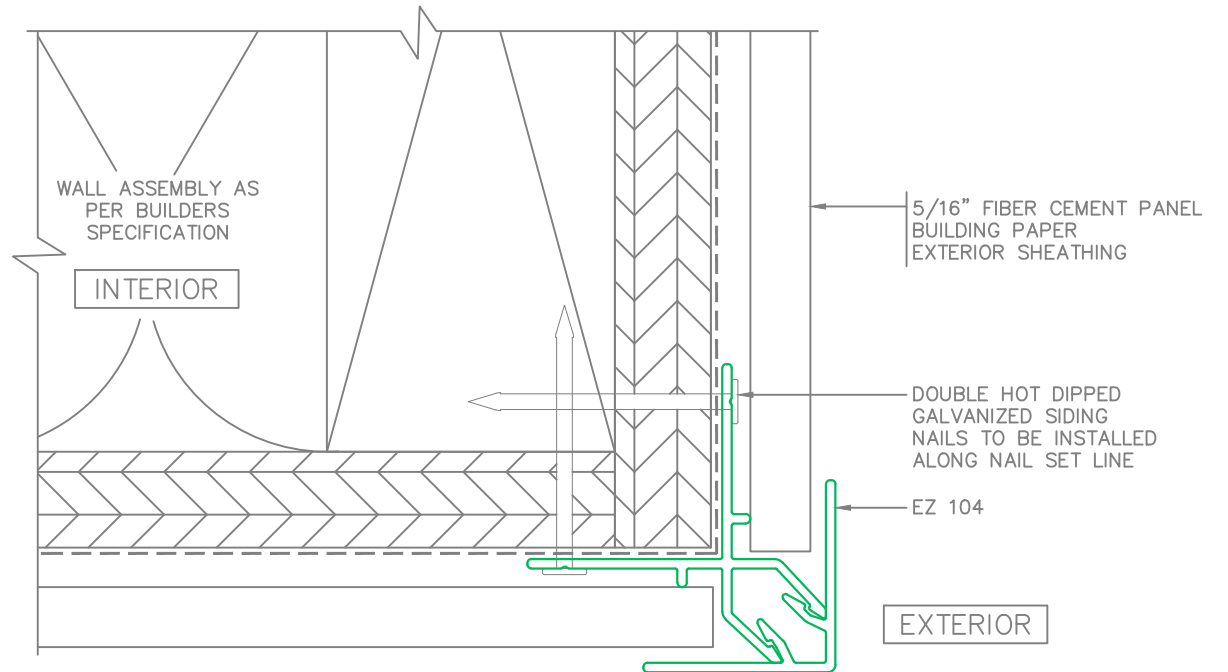
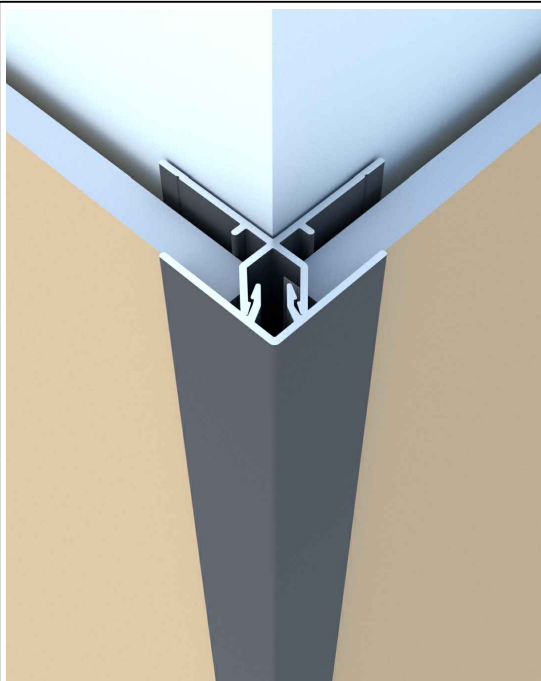
|  |         |         |                |
|--|---------|---------|----------------|
|  | SCALE   | NTS     | DRAWING NUMBER |
|  | DATE    | APR2024 | EZ101.1        |
|  | DRWN BY | HJ/DDG  |                |




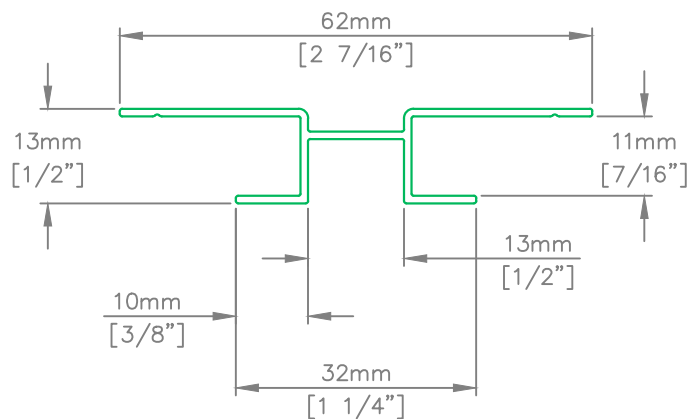
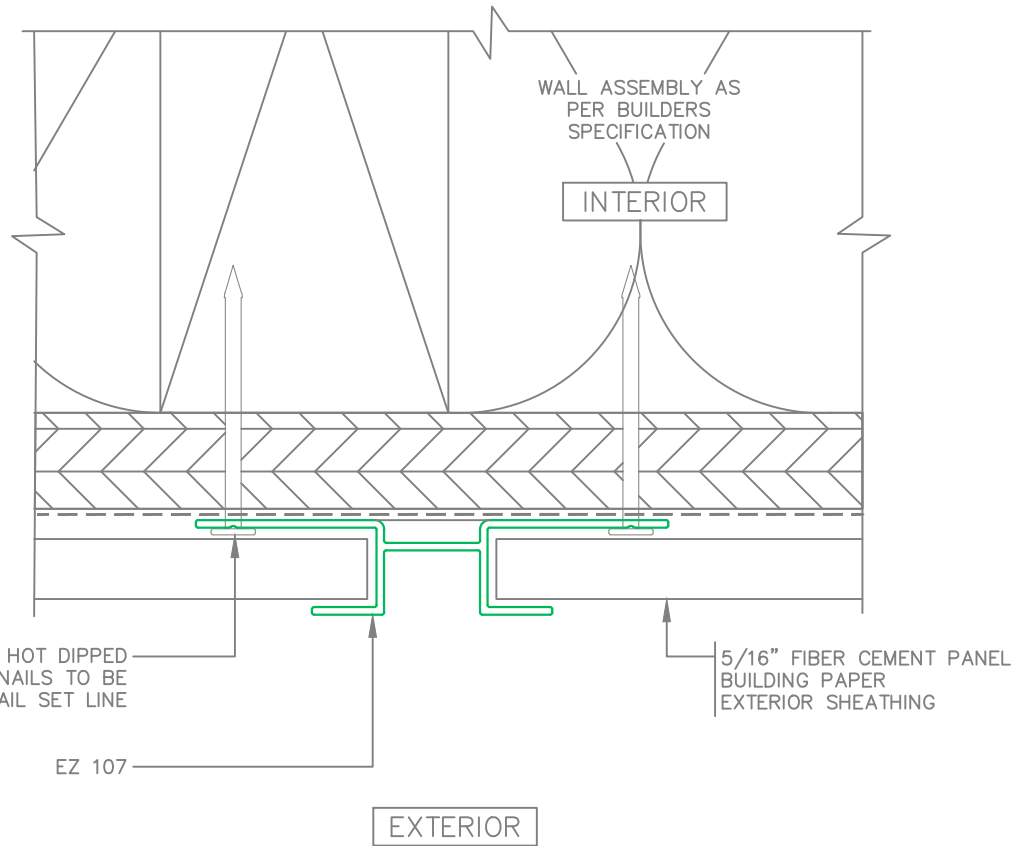
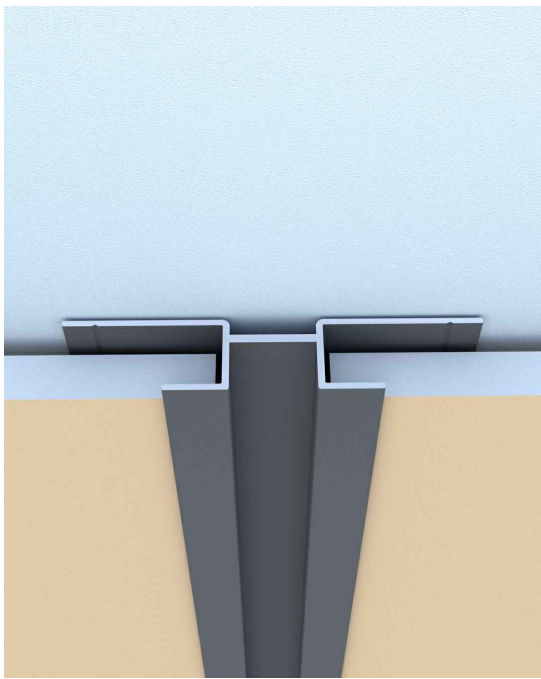
|   |         |         |                |
|---|---------|---------|----------------|
| DESCRIPTION   |         |         |                |
| EZ 102 VERTICAL OPEN JOINT<br>5/16" TRIM  |         |         |                |
|  | SCALE   | NTS     | DRAWING NUMBER |
|   | DATE    | APR2024 | EZ102.1        |
|   | DRWN BY | DDG     |                |




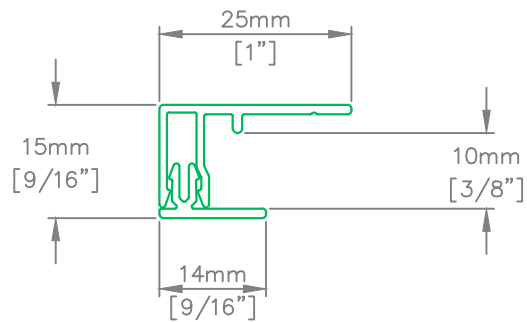
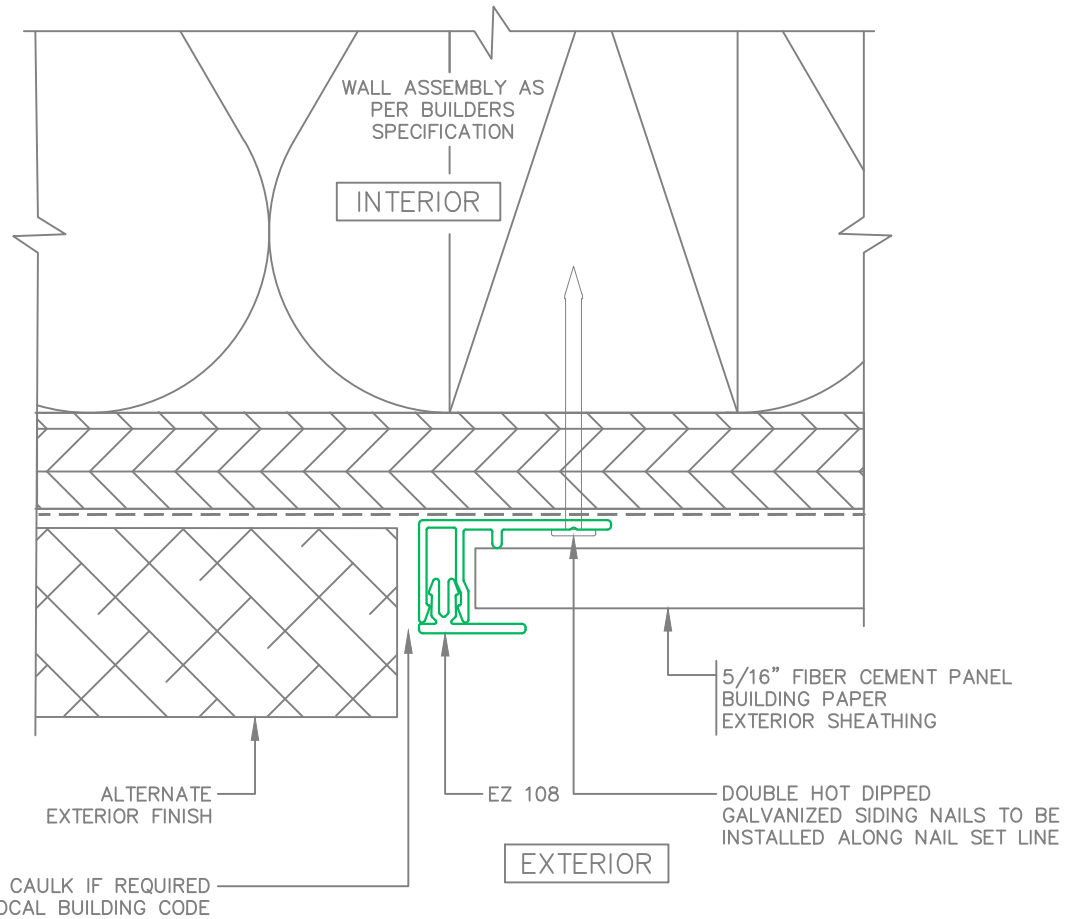
|  |         |         |                |
|--|---------|---------|----------------|
| DESCRIPTION                                    |         |         |                |
| EZ 103 OUTSIDE CORNER OPEN JOINT<br>5/16" TRIM |         |         |                |
|  | SCALE   | NTS     | DRAWING NUMBER |
|  | DATE    | APR2024 | EZ103.1        |
|  | DRWN BY | DDG     |                |



|   |         |         |                |
|---|---------|---------|----------------|
| DESCRIPTION   |         |         |                |
| EZ 104 2-PIECE ARROW OUTSIDE CORNER<br>5/16" TRIM                                     |         |         |                |
|  | SCALE   | NTS     | DRAWING NUMBER |
|   | DATE    | APR2024 | EZ104.1        |
|   | DRWN BY | HJ/DDG  |                |



|   |         |         |                |
|---|---------|---------|----------------|
| DESCRIPTION   |         |         |                |
| EZ 107 THIN VERTICAL U 3/8" TAB<br>5/16" TRIM   |         |         |                |
|  | SCALE   | NTS     | DRAWING NUMBER |
|   | DATE    | APR2024 | EZ107.1        |
|   | DRWN BY | DDG     |                |



|                             |         |         |                |
|-----------------------------|---------|---------|----------------|
| DESCRIPTION                 |         |         |                |
| EZ 108 2-PIECE J 5/16" TRIM |         |         |                |
|                             | SCALE   | NTS     | DRAWING NUMBER |
|                             | DATE    | APR2024 | EZ108.1        |
|                             | DRWN BY | HJ/DDG  |                |