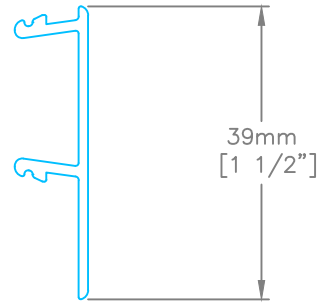
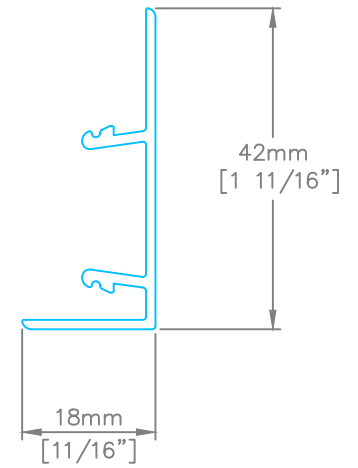


QP 41T




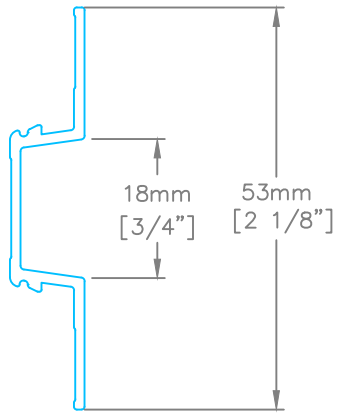
QP 42T



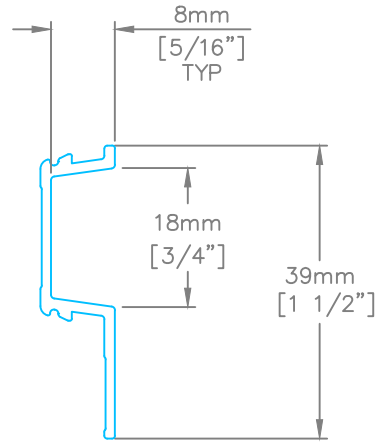
QP 43T

ALL TOP CAPS APPROX. 1.25mm [.050"] ~16 ga

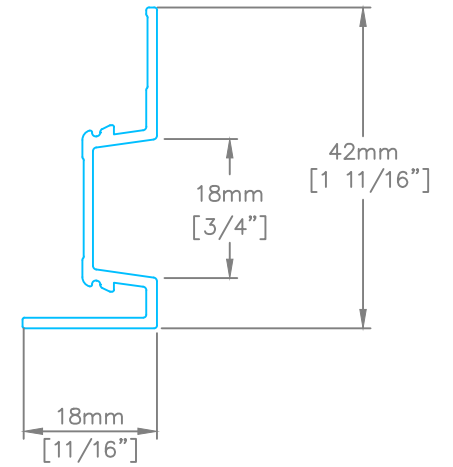
DESCRIPTION			
ABSOLUTE SERIES™ TOP CAPS			
	SCALE	NTS	DRAWING NUMBER
	DATE	APR2024	QP0.1
	DRWN BY	HJ/DDG	



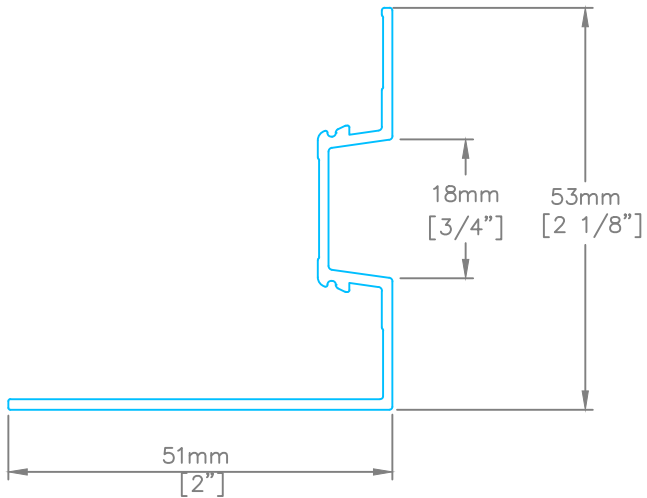
QP 05T



QP 09T




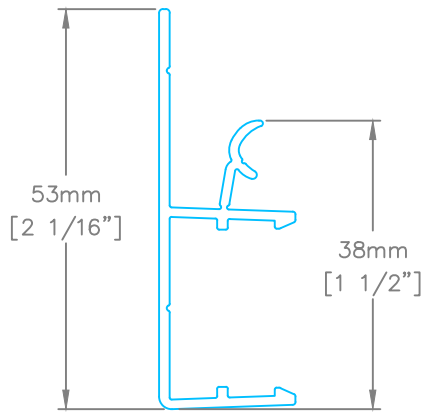
QP 17T



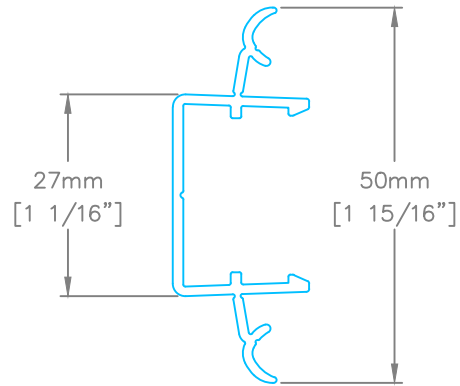
QP 27T

ALL TOP CAPS APPROX. 1.25mm [.050\"] ~16 ga

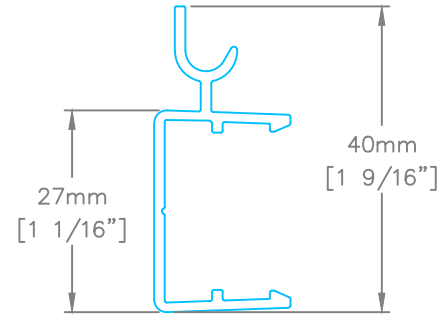
DESCRIPTION			
REVEAL SERIES™ TOP CAPS			
	SCALE	NTS	DRAWING NUMBER
	DATE	APR2024	QP0.2
	DRWN BY	HJ/DDG	



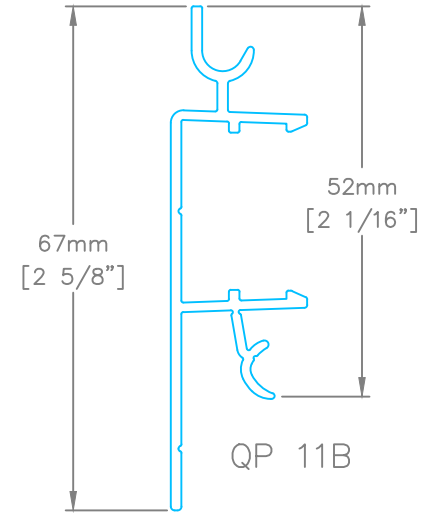
QP 04B



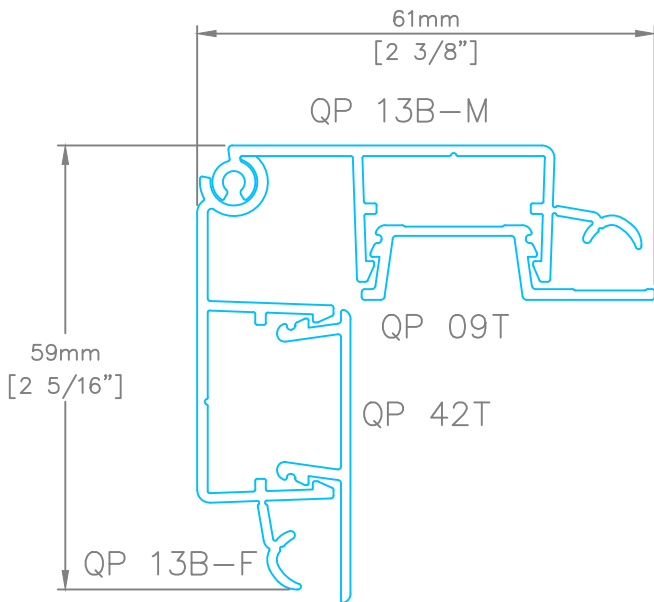
QP 05B



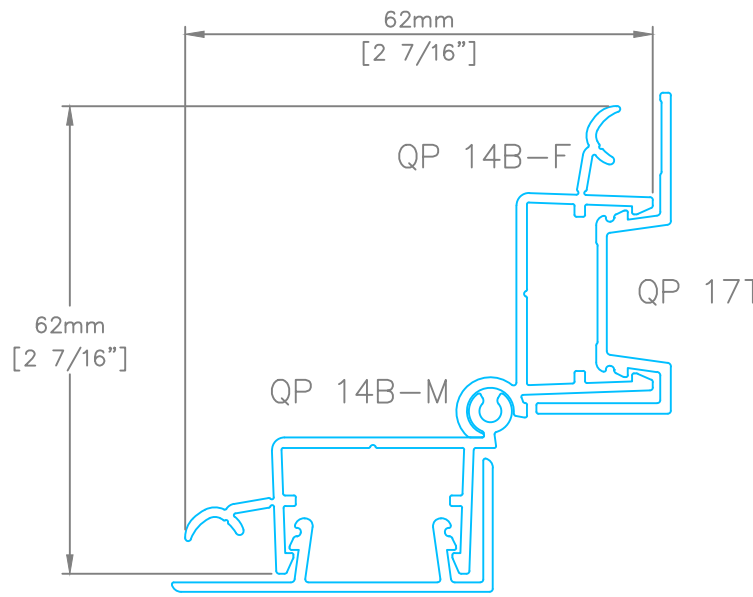
QP 10B



QP 11B



QP 13B-M



QP 14B-F

QP 17T

QP 14B-M

QP 43T


59mm
[2 5/16\"/>

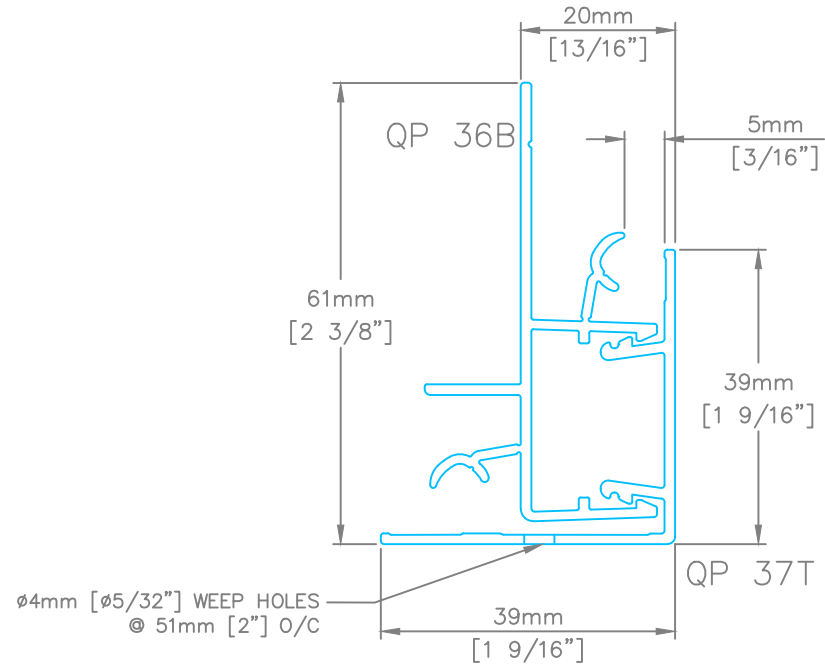
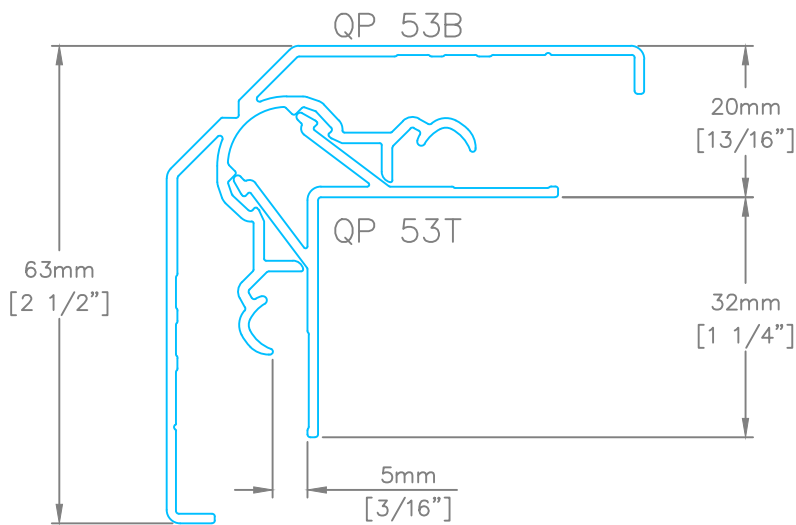
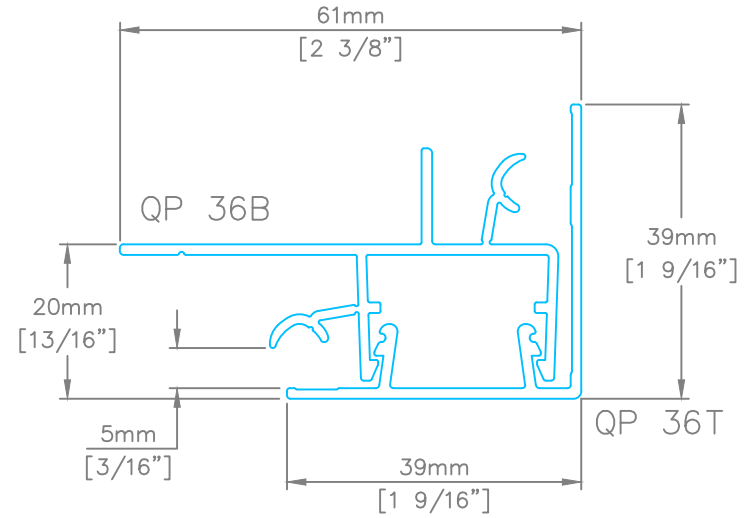
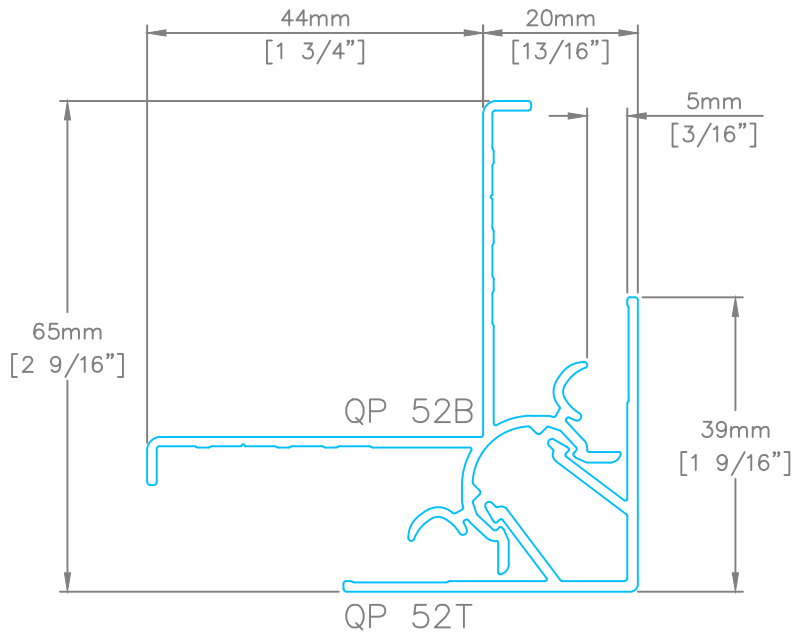
QP 09T

QP 42T


QP 13B-F

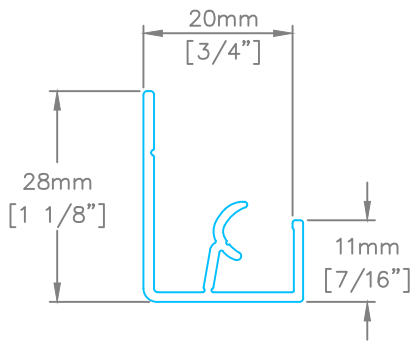
ALL BACK PLATES APPROX. 1.40mm [.055\"] ~15 ga

DESCRIPTION			
BACK PLATES			
	SCALE	NTS	DRAWING NUMBER
	DATE	APR2024	QP0.3
	DRWN BY	HJ/DDG	



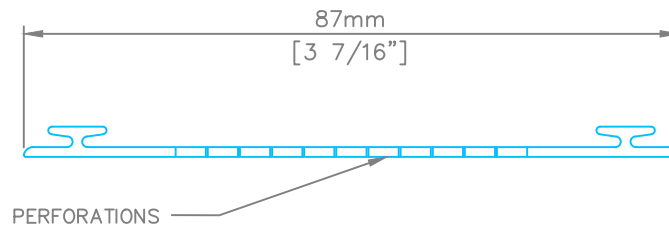
ALL TOP CAPS APPROX. 1.25mm [.050\"] ~16 ga
 ALL BACK PLATES APPROX. 1.40mm [.055\"] ~15 ga

DESCRIPTION			
UNIVERSAL TRIMS			
	SCALE	NTS	DRAWING NUMBER
	DATE	APR2024	QP0.4
	DRWN BY	HJ/DDG	

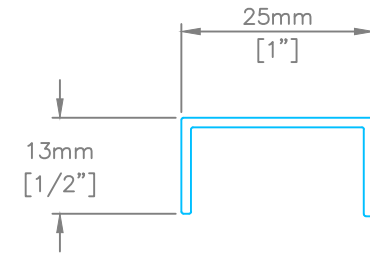


QP 20S

7.7 in²/ LIN FT
 163.3 cm²/ LIN m
 NET FREE AIR SPACE




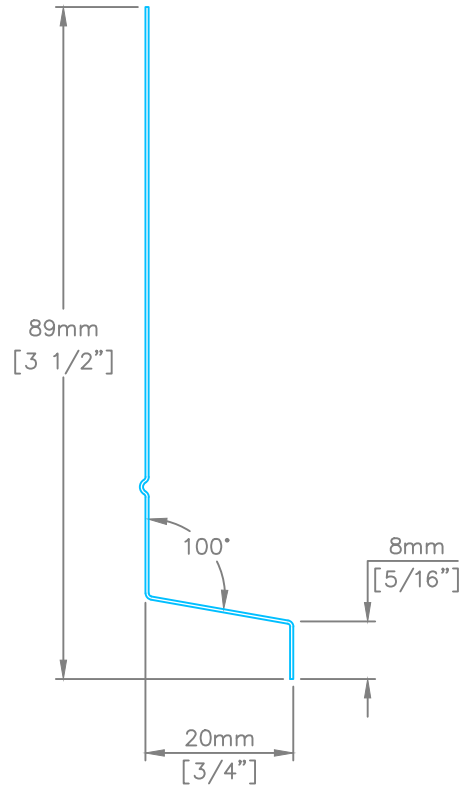
QP 25S



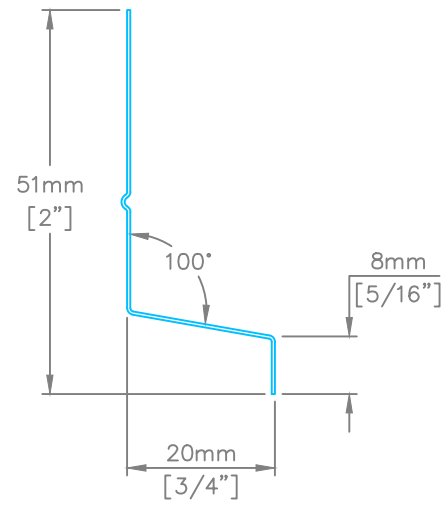
QP 06S (PVC)

ALL TOP CAPS APPROX. 1.25mm [.050\"] ~16 ga
 ALL BACK PLATES APPROX. 1.40mm [.055\"] ~15 ga

DESCRIPTION			
ONE PIECE TRIMS			
	SCALE	NTS	DRAWING NUMBER
	DATE	APR2024	QP0.5
	DRWN BY	HJ/DDG	




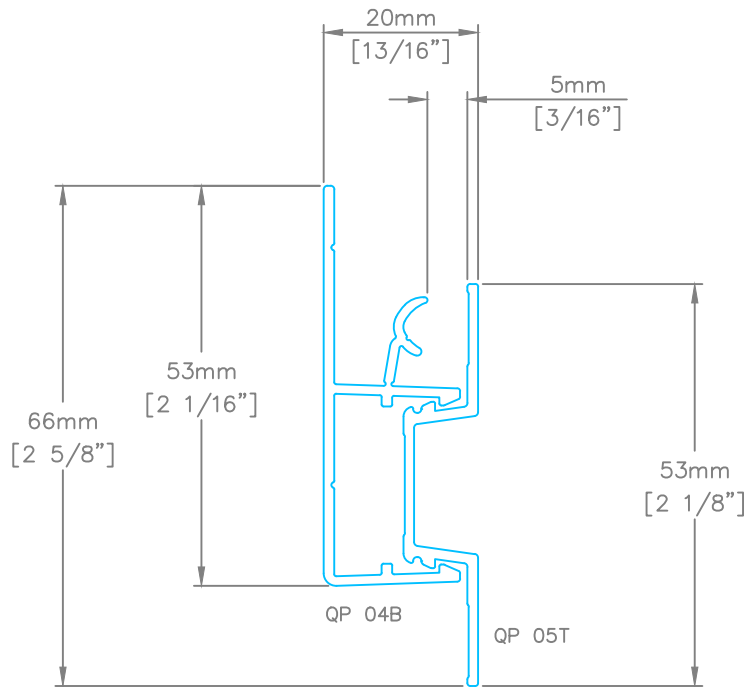
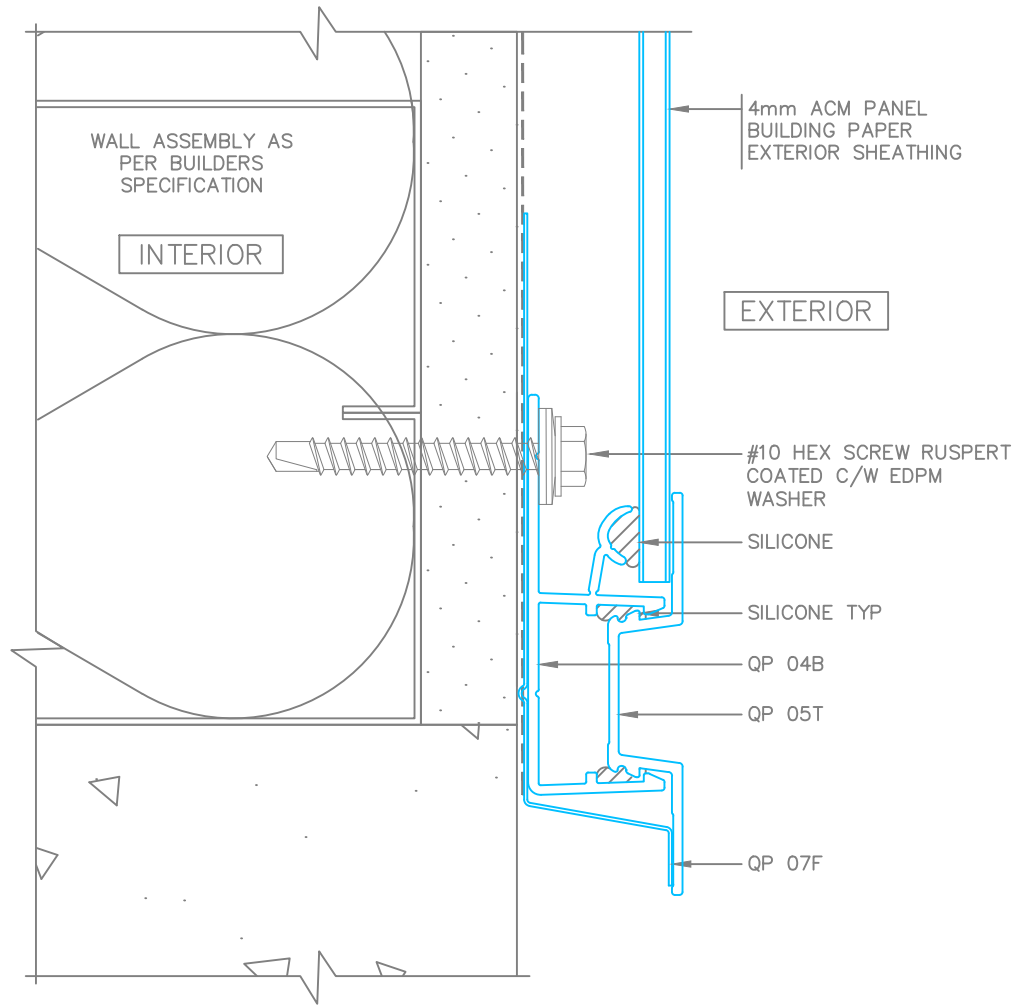
QP 07F

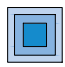


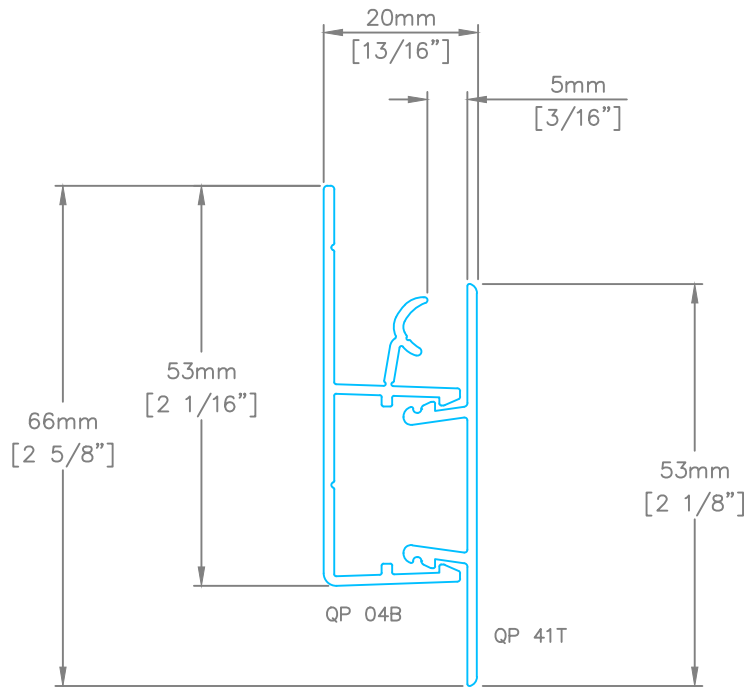
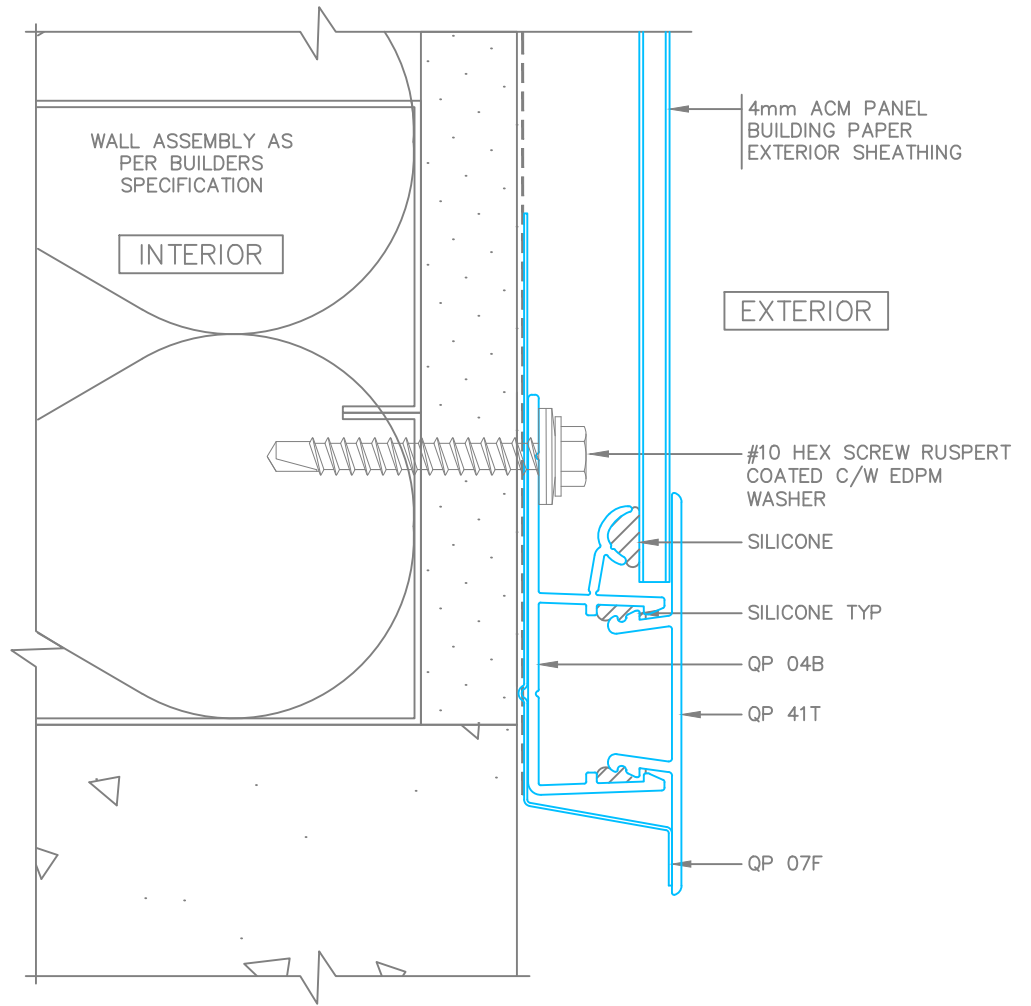
QP 07WSF

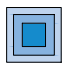
ALL FLASHING APPROX. 0.43mm [.017"] ~26 ga

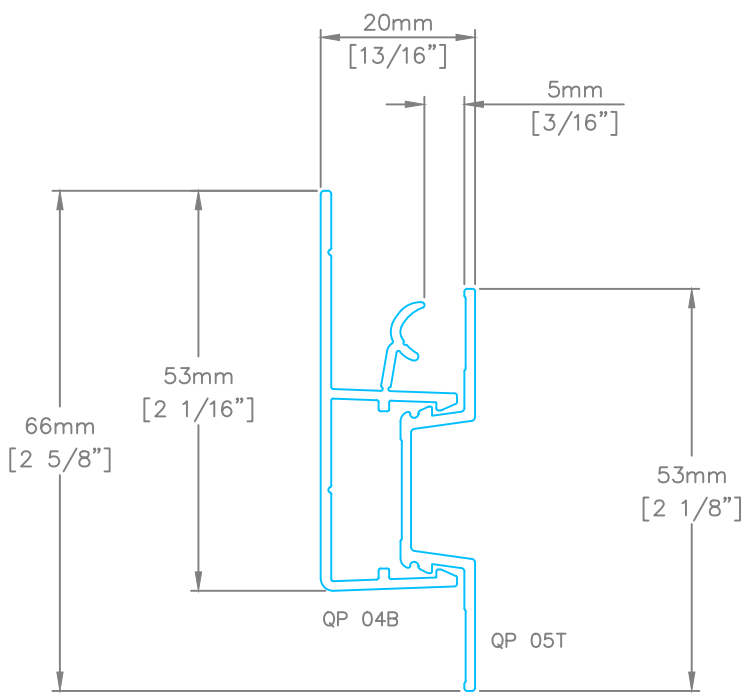
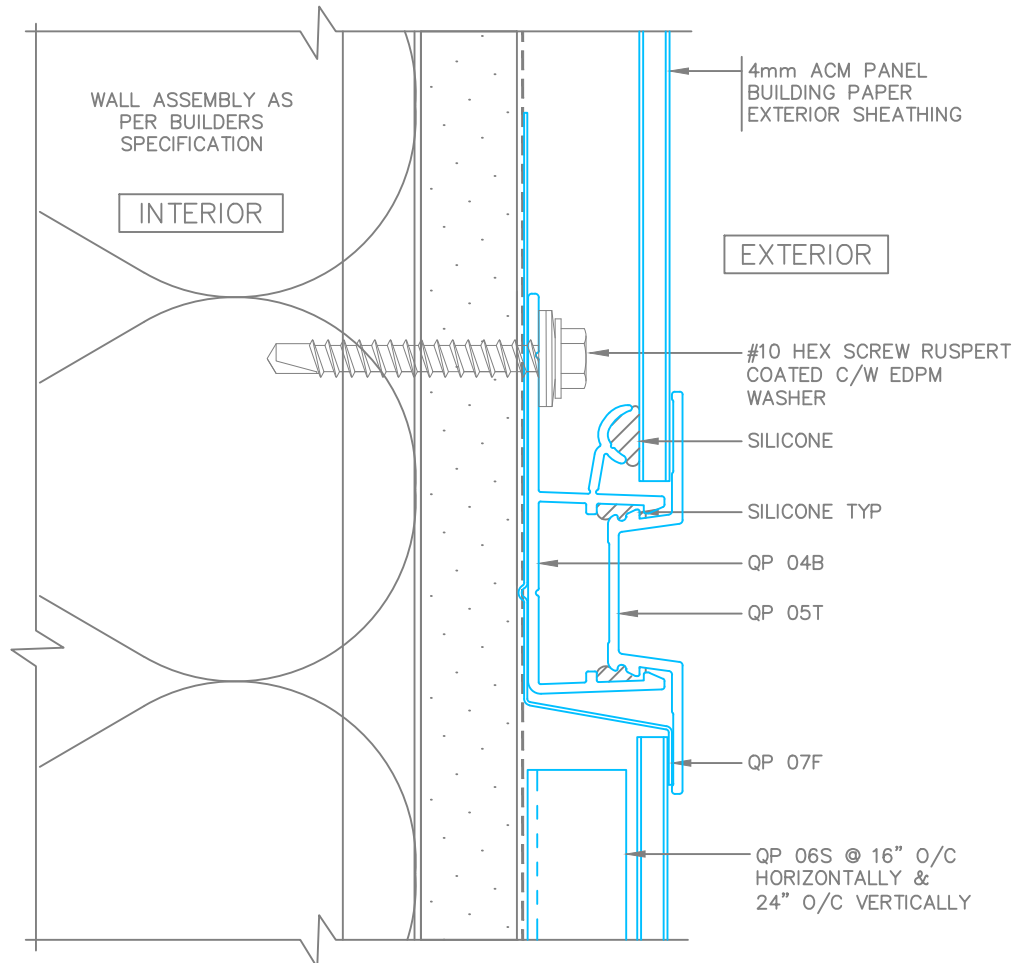
DESCRIPTION			
FLASHING			
	SCALE	NTS	DRAWING NUMBER
	DATE	APR2024	QP0.6
	DRWN BY	HJ/DDG	




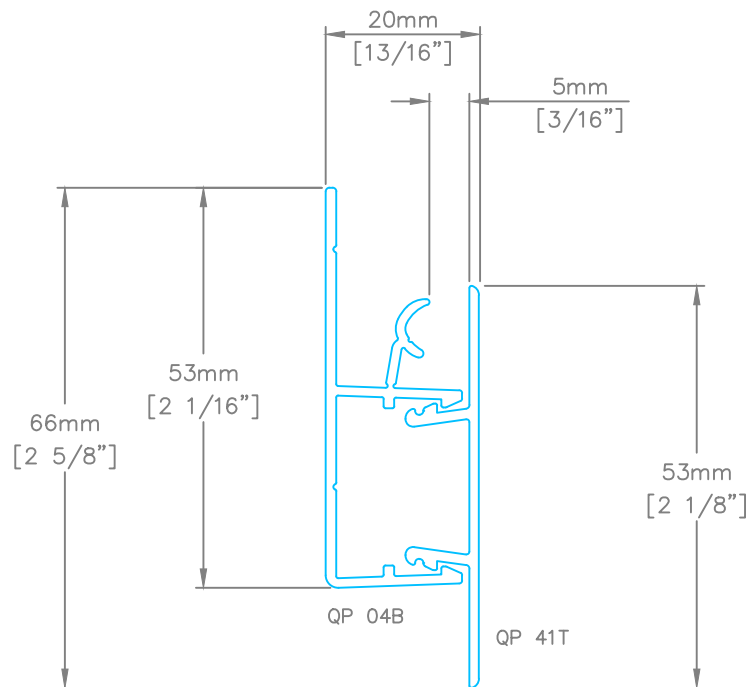
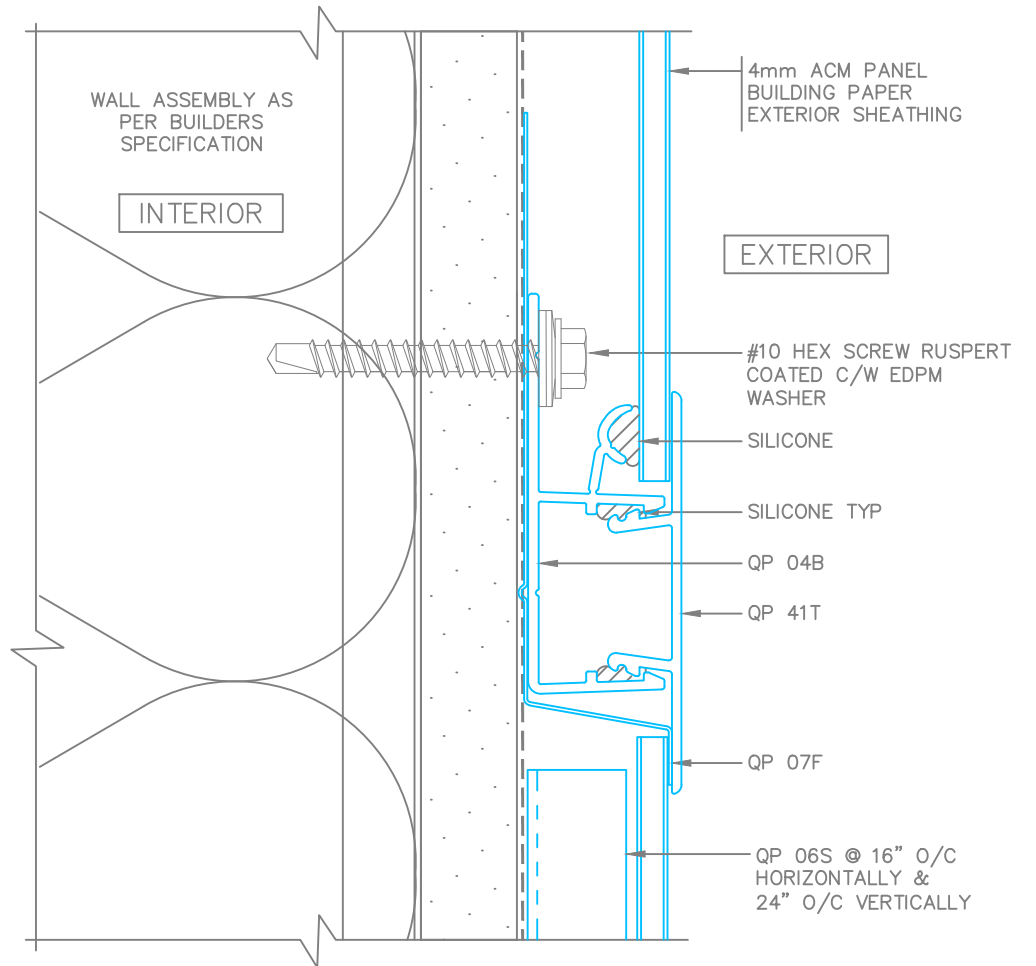
DESCRIPTION			
REVEAL PERIMETER STARTER DETAIL			
 QuickPanel Systems	SCALE	NTS	DRAWING NUMBER
	DATE	APR2024	QP1.1a
	DRWN BY	HJ/DDG	

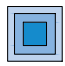


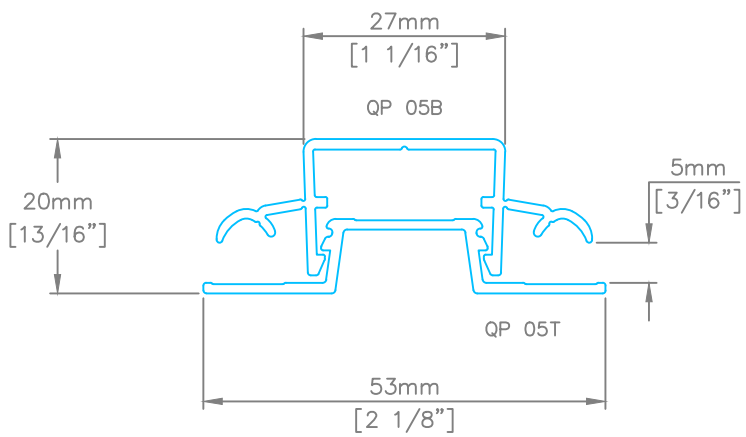
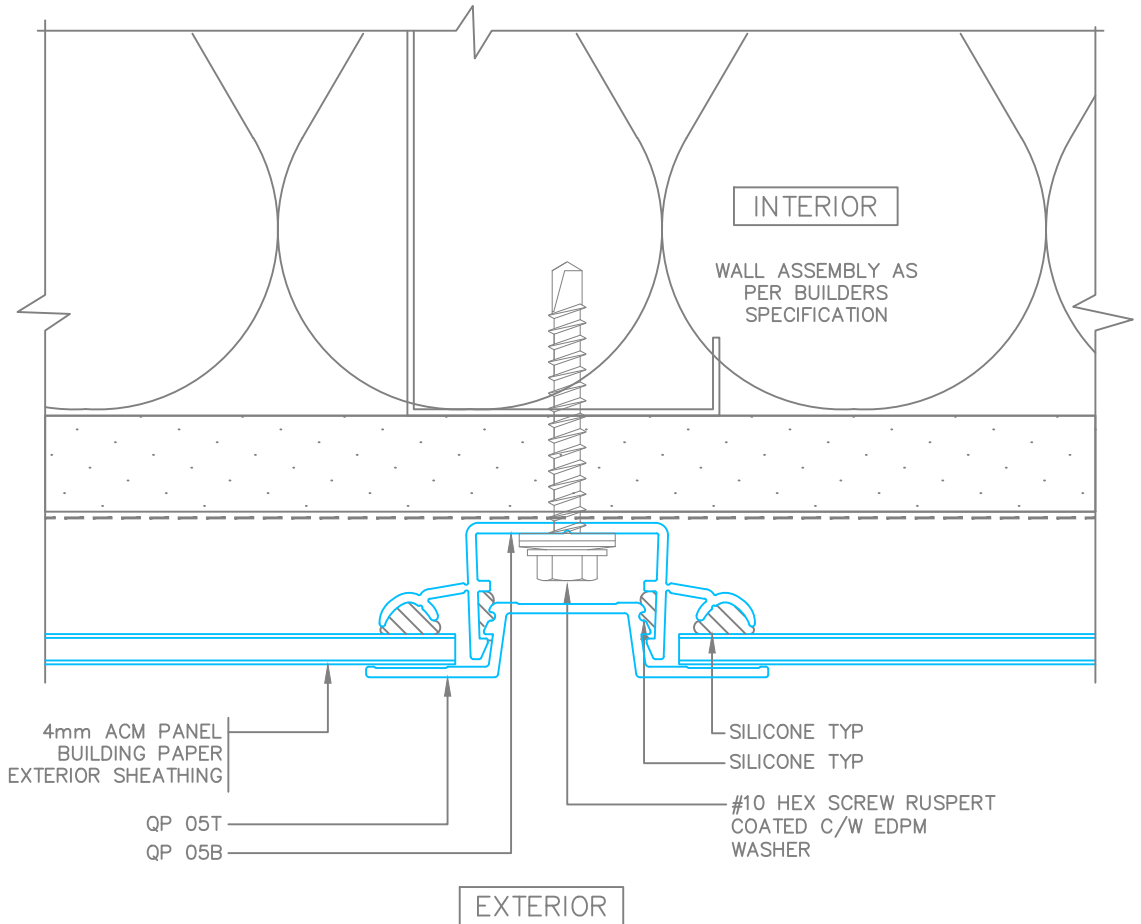
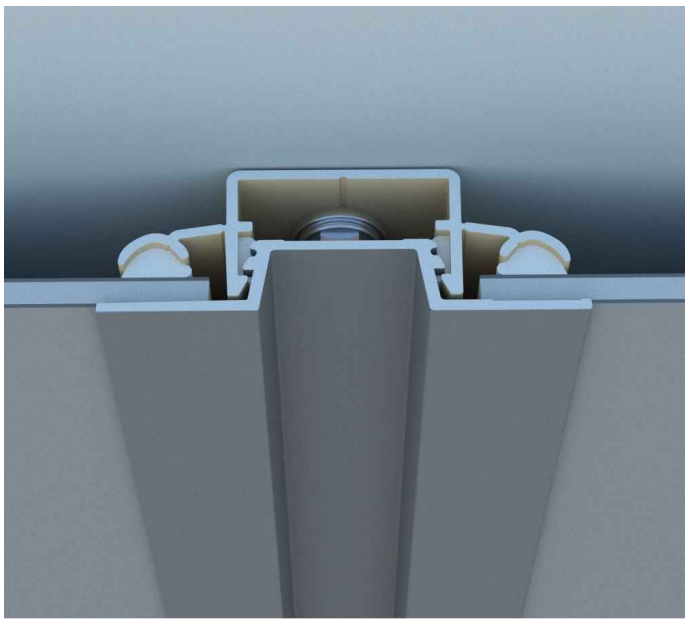
DESCRIPTION			
ABSOLUTE PERIMETER STARTER DETAIL			
 QuickPanel Systems	SCALE	NTS	DRAWING NUMBER
	DATE	APR2024	QP1.1b
	DRWN BY	HJ/DDG	

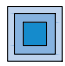


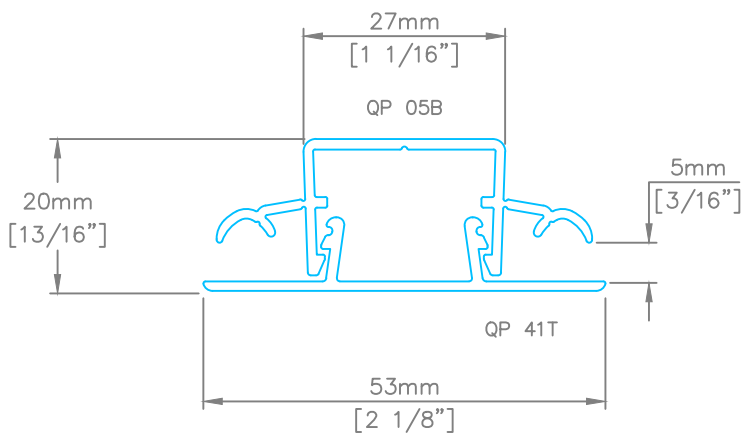
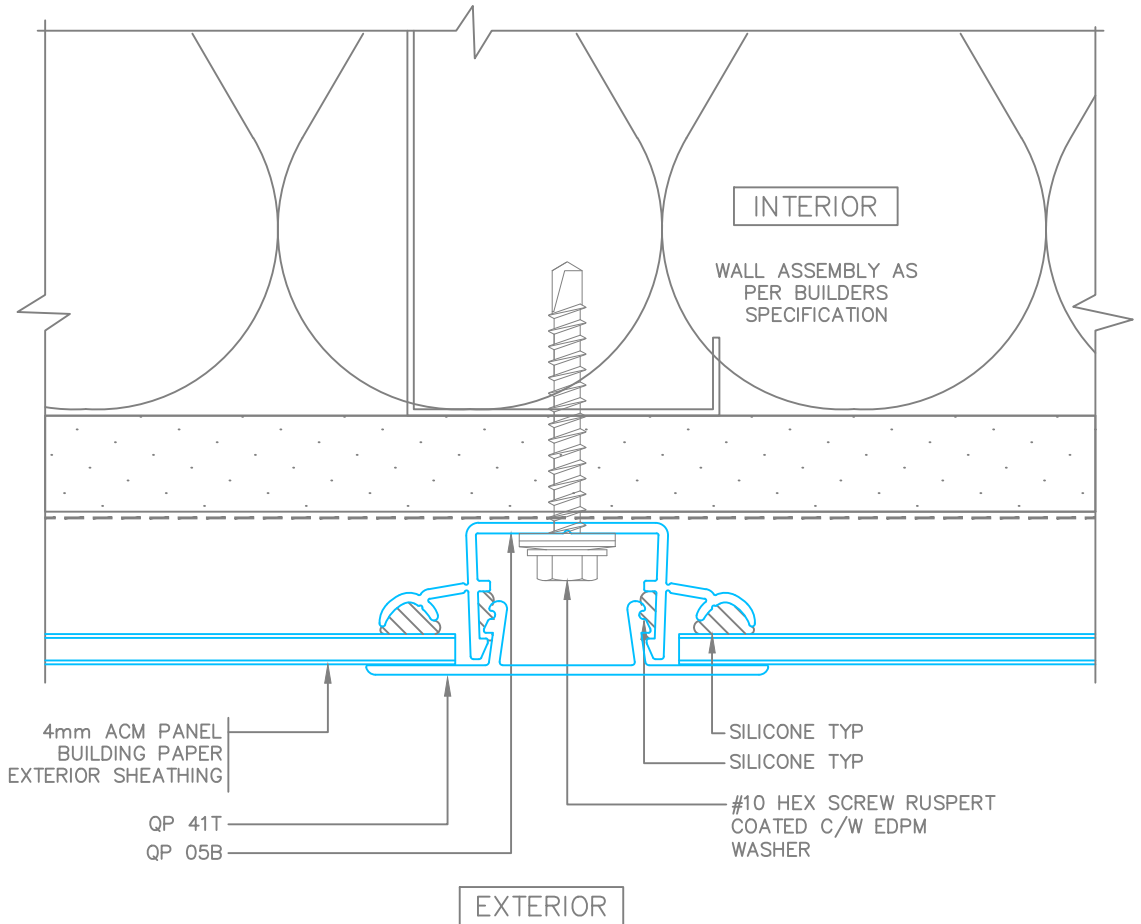
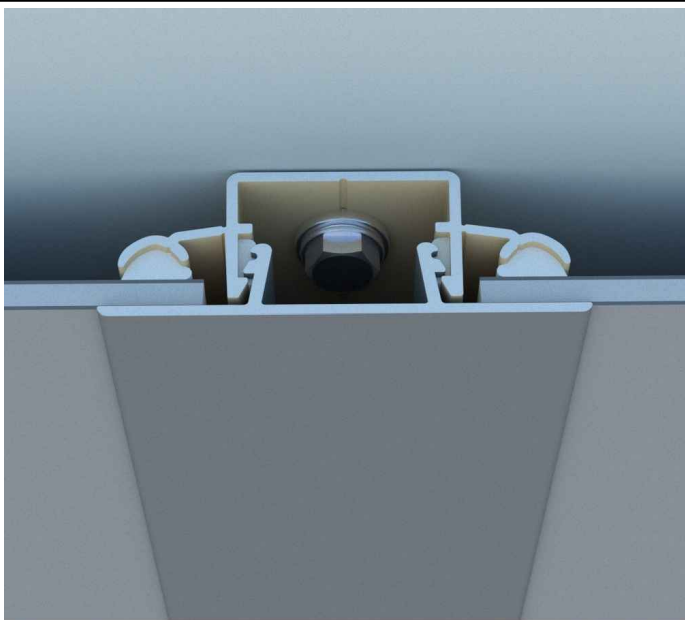
DESCRIPTION			
REVEAL HORIZONTAL MAINBODY DETAIL			
	SCALE	NTS	DRAWING NUMBER
	DATE	APR2024	QP1.2a
	DRWN BY	HJ/DDG	

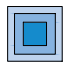


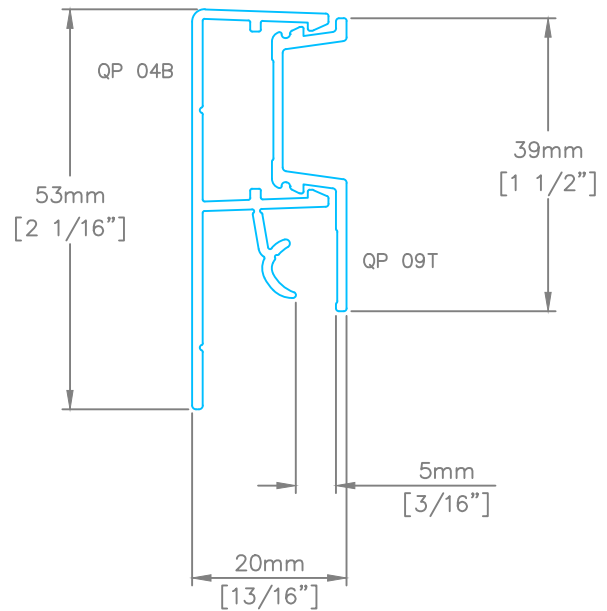
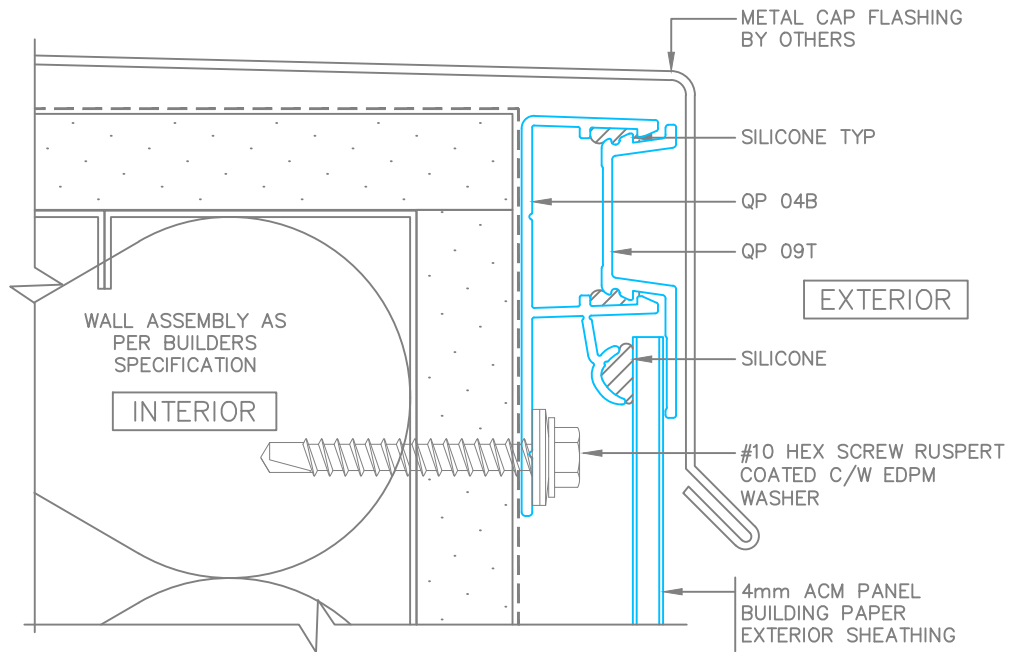
DESCRIPTION			
HORIZONTAL MAINBODY DETAIL			
 QuickPanel Systems	SCALE	NTS	DRAWING NUMBER
	DATE	APR2024	QP1.2b
	DRWN BY	HJ/DDG	

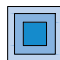


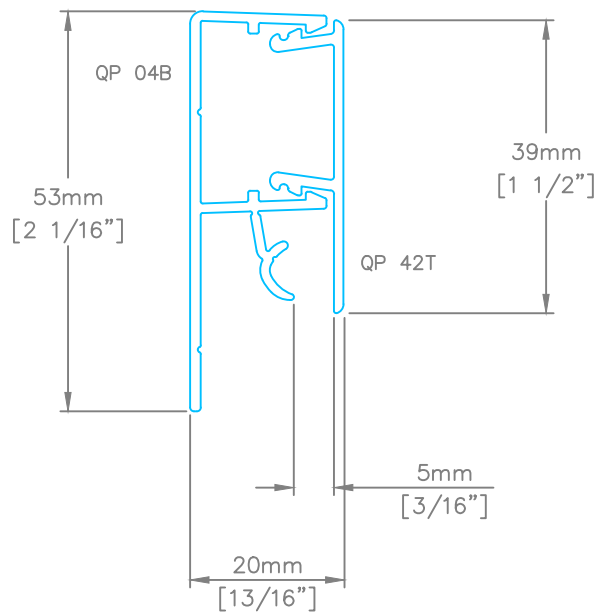
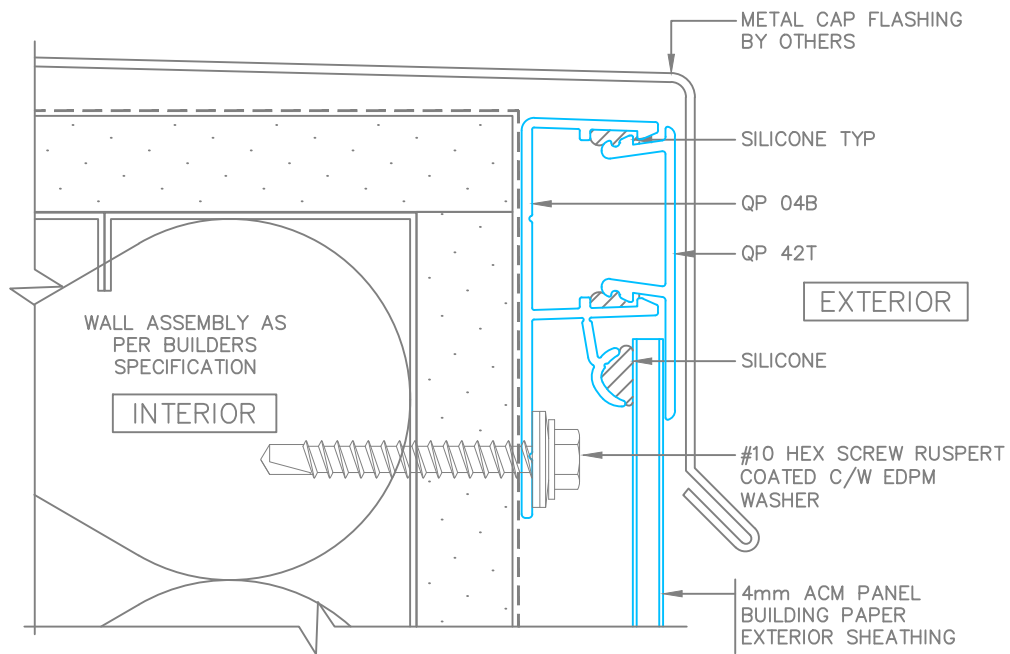
DESCRIPTION			
REVEAL VERTICAL MAINBODY DETAIL			
 QuickPanel[®] Systems	SCALE	NTS	DRAWING NUMBER
	DATE	APR2024	QP1.3a
	DRWN BY	HJ/DDG	




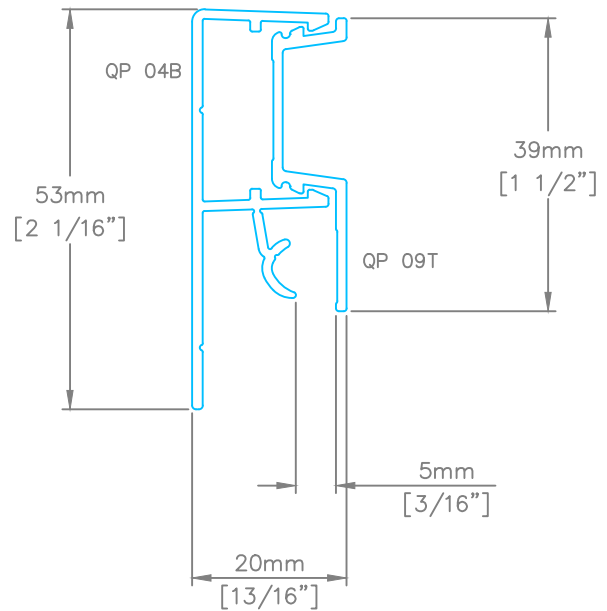
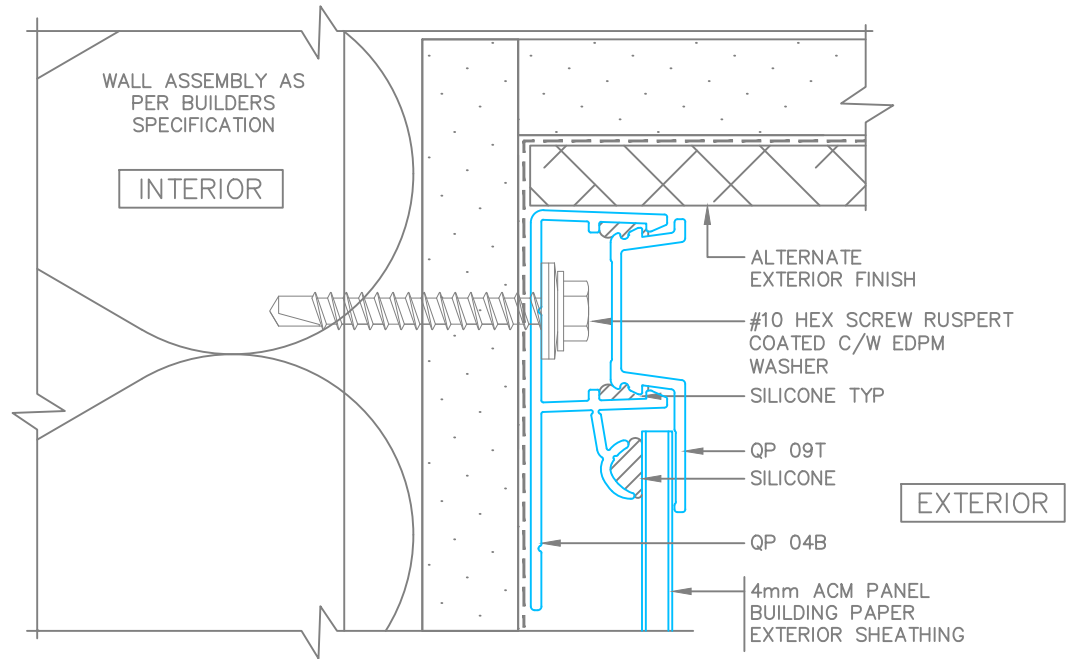
DESCRIPTION			
ABSOLUTE VERTICAL MAINBODY DETAIL			
 QuickPanel Systems	SCALE	NTS	DRAWING NUMBER
	DATE	APR2024	QP1.3b
	DRWN BY	HJ/DDG	

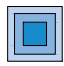


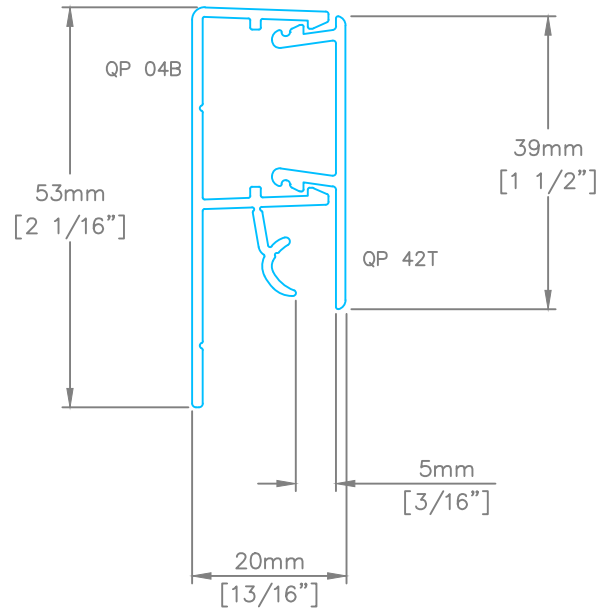
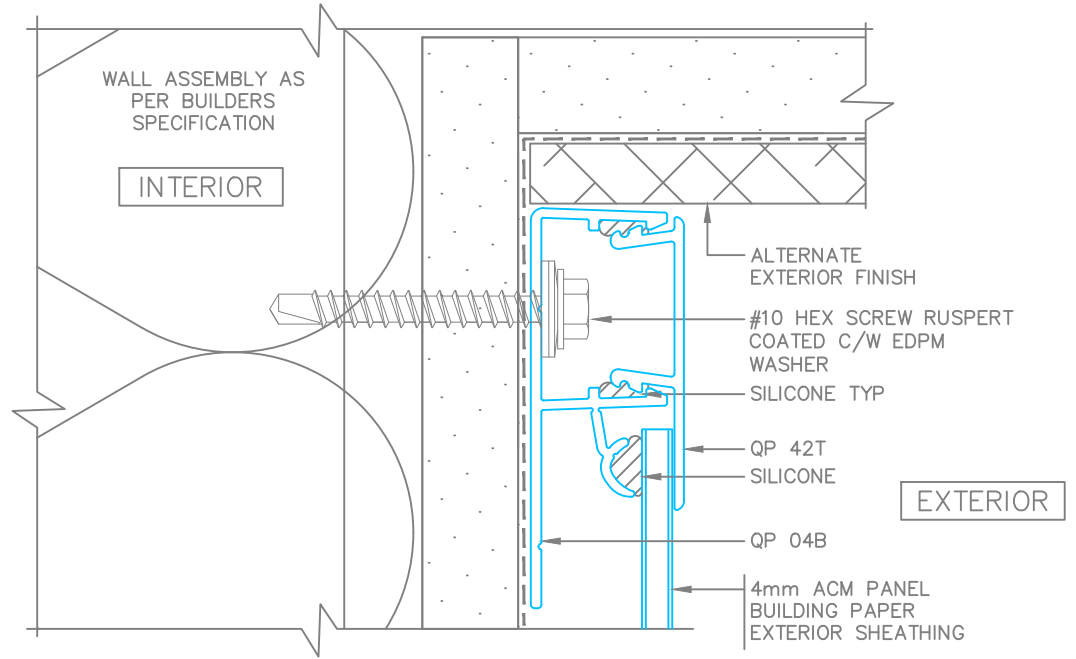
DESCRIPTION			
REVEAL PARAPET TERMINATION DETAIL			
 QuickPanel Systems	SCALE	NTS	DRAWING NUMBER
	DATE	APR2024	QP1.4a
	DRWN BY	HJ/DDG	

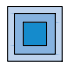


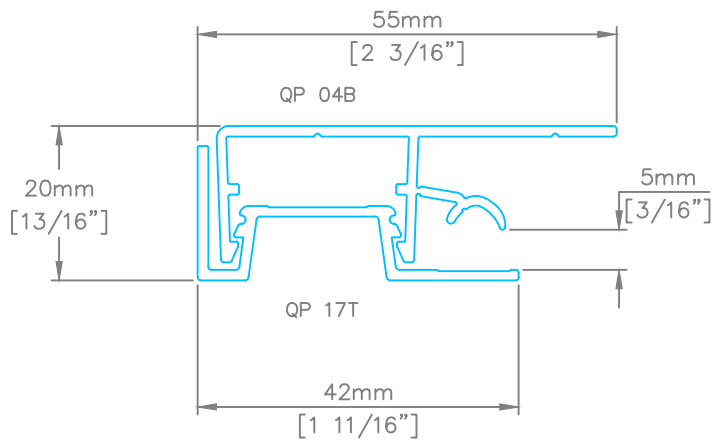
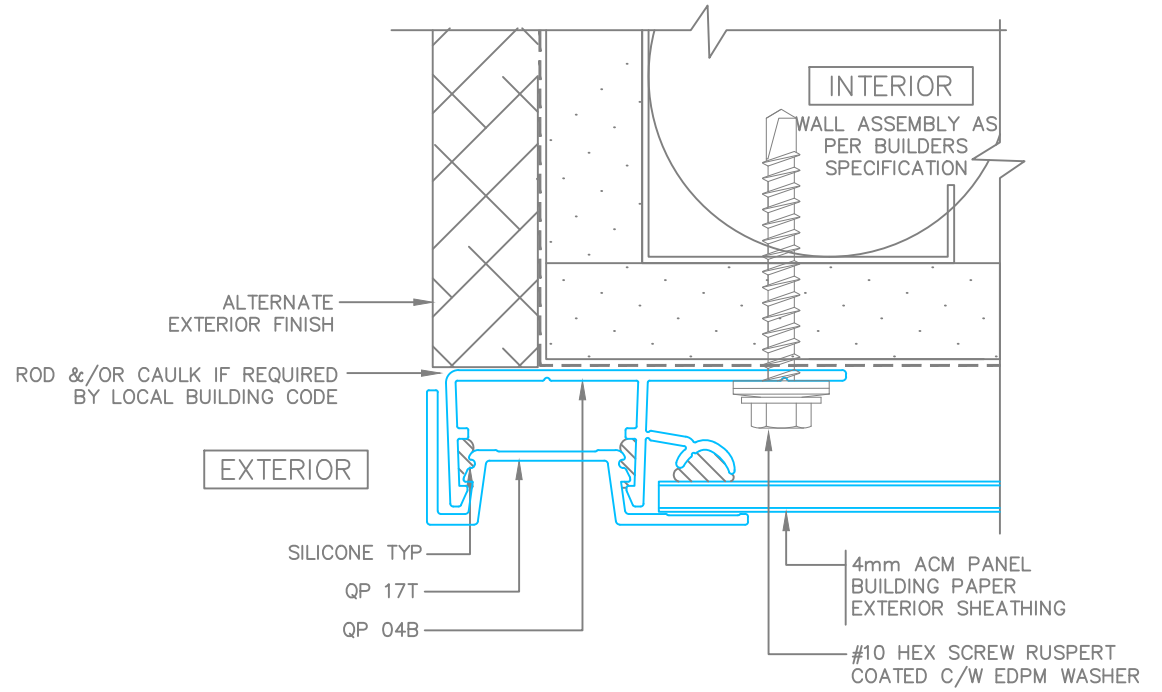
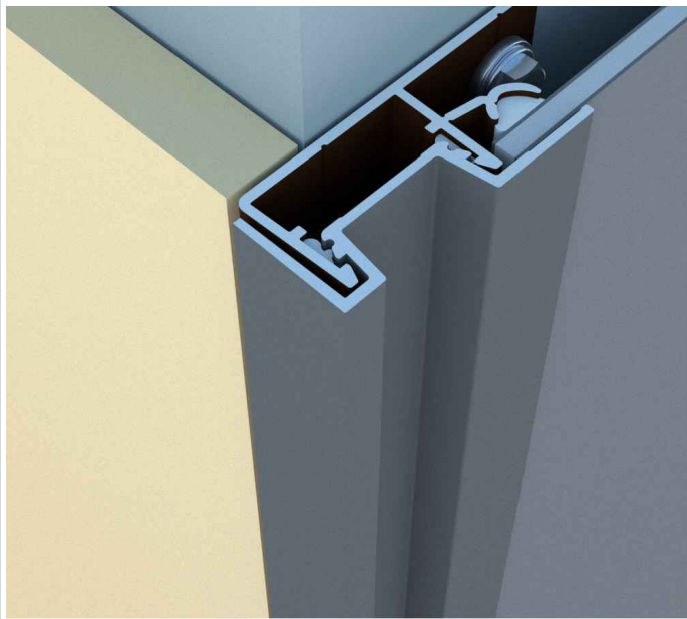
DESCRIPTION			
ABSOLUTE PARAPET TERMINATION DETAIL			
	SCALE	NTS	DRAWING NUMBER
	DATE	APR2024	QP1.4b
	DRWN BY	HJ/DDG	




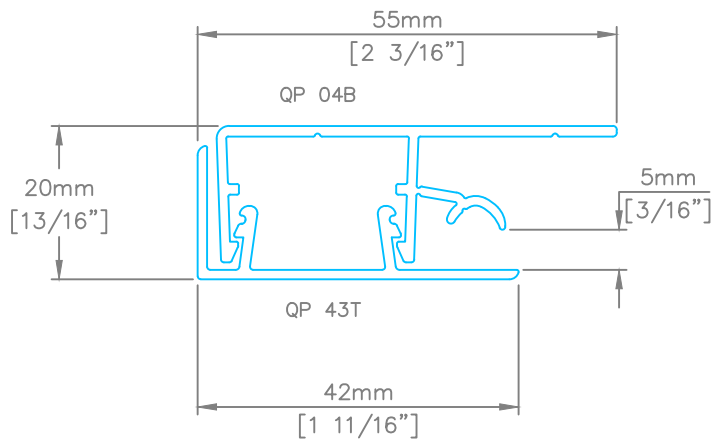
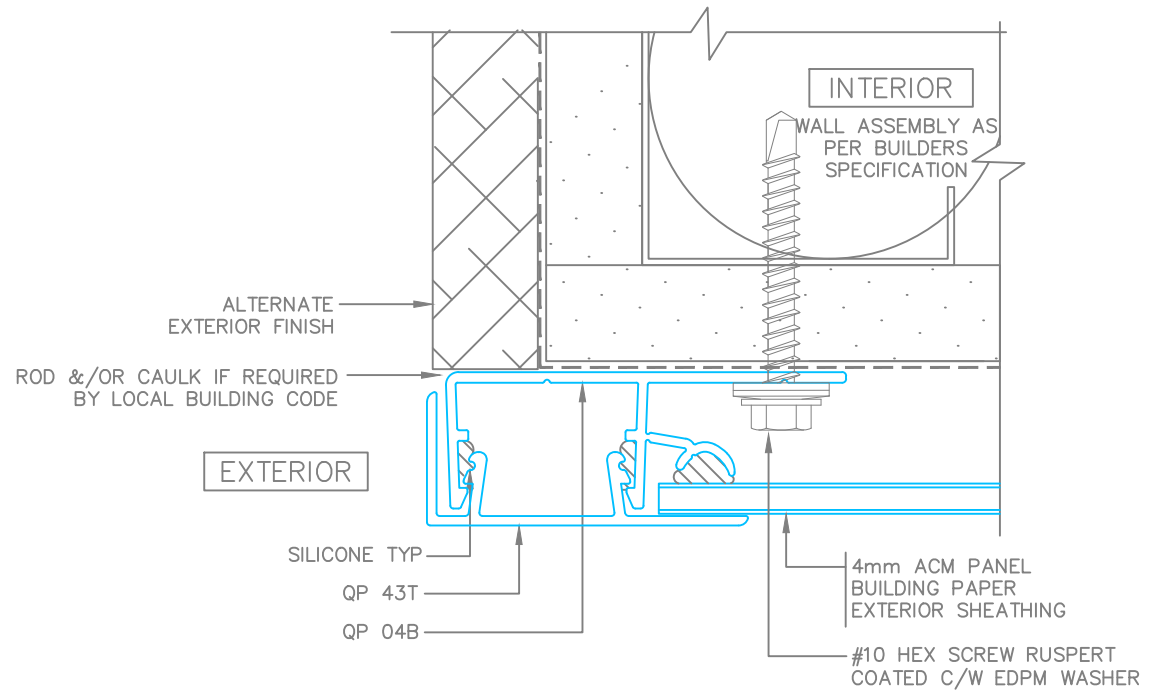
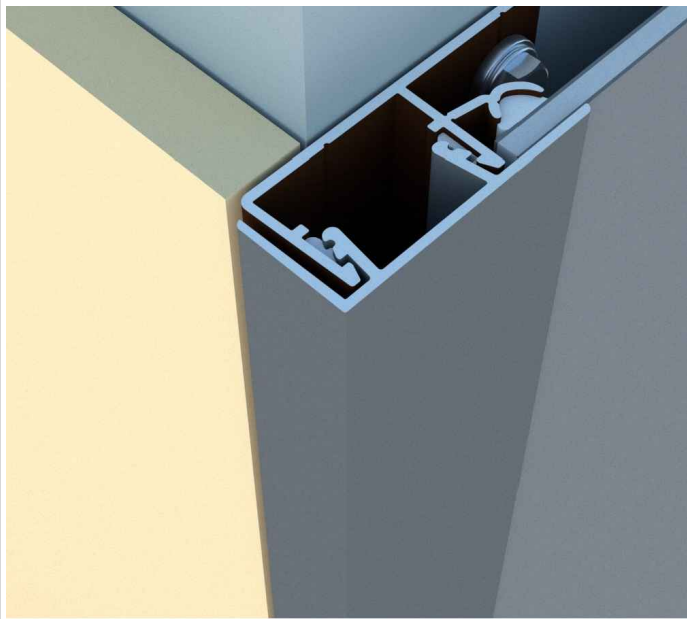
DESCRIPTION			
REVEAL SOFFIT TERMINATION DETAIL			
 QuickPanel Systems	SCALE	NTS	DRAWING NUMBER
	DATE	APR2024	QP1.5a
	DRWN BY	HJ/DDG	




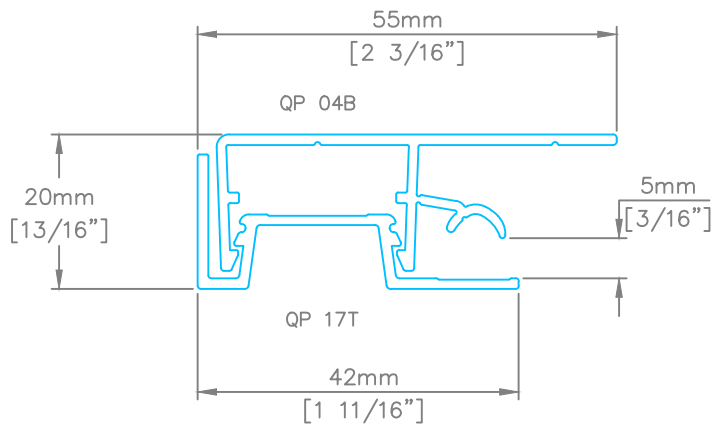
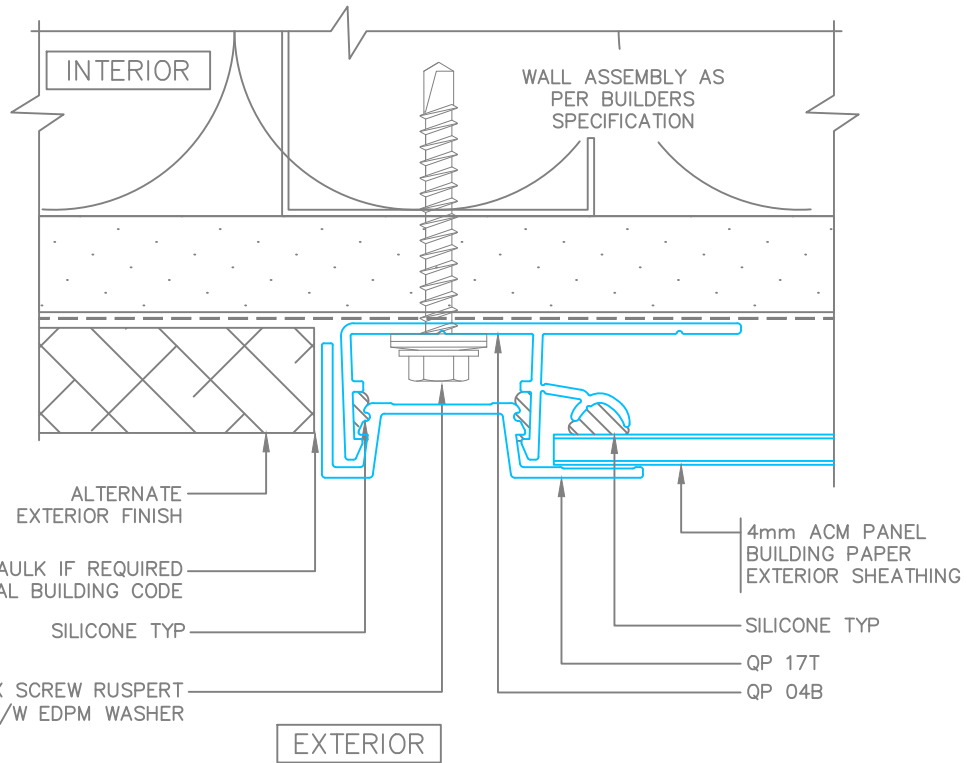
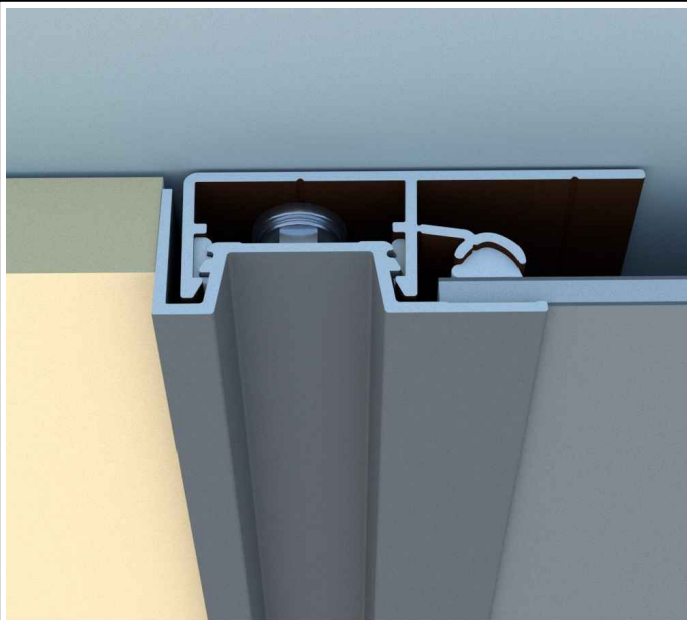
DESCRIPTION			
ABSOLUTE SOFFIT TERMINATION DETAIL			
 QuickPanel Systems	SCALE	NTS	DRAWING NUMBER
	DATE	APR2024	QP1.5b
	DRWN BY	HJ/DDG	




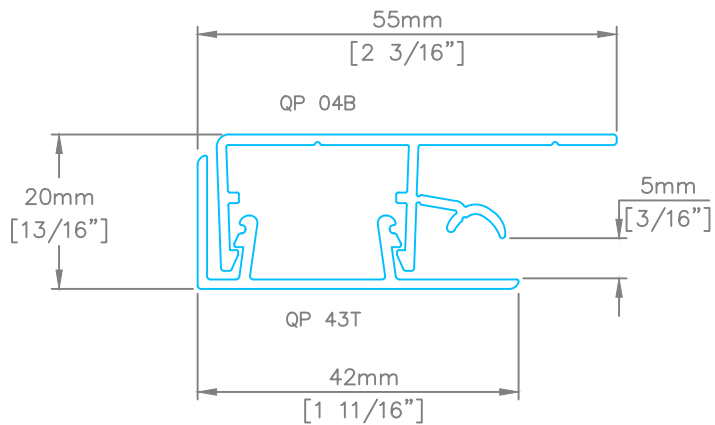
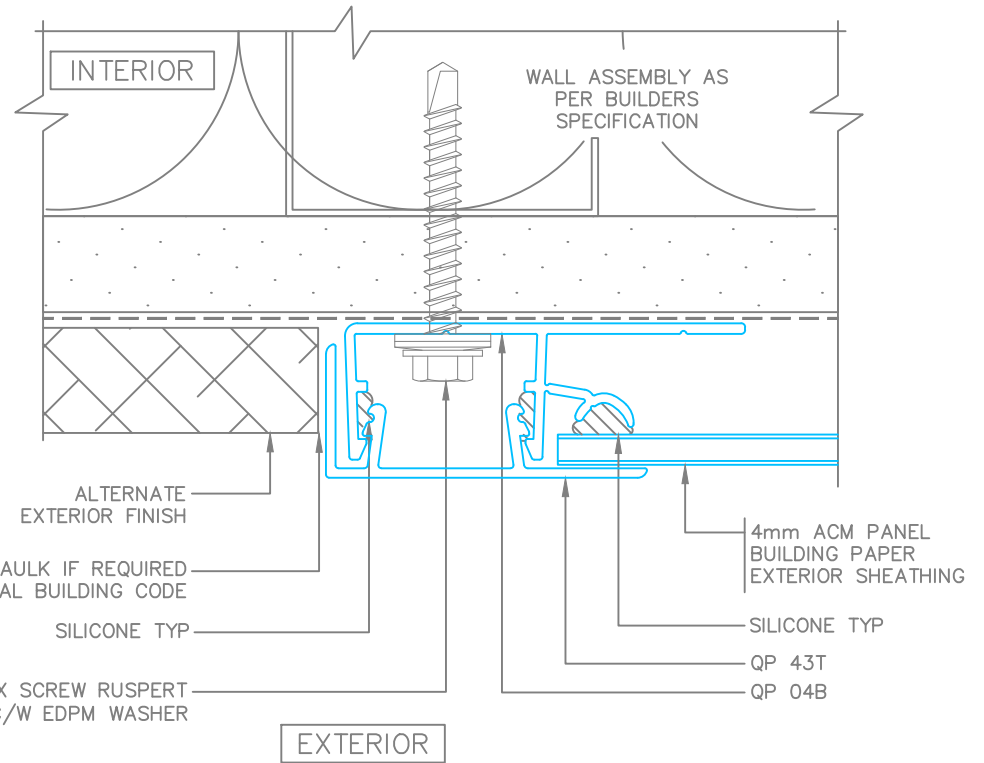
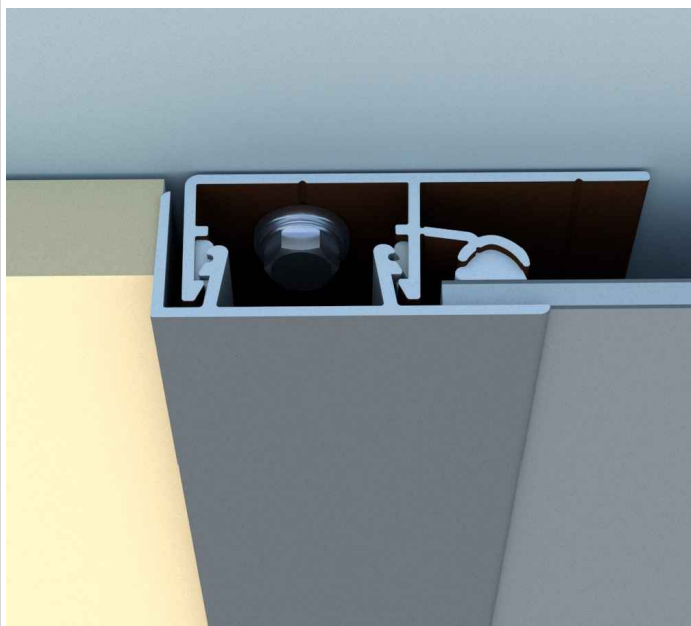
DESCRIPTION			
REVEAL CORNER TERMINATION DETAIL			
	SCALE	NTS	DRAWING NUMBER
	DATE	APR2024	QP1.6a
	DRWN BY	HJ/DDG	




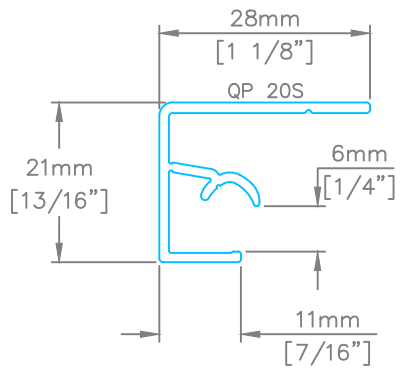
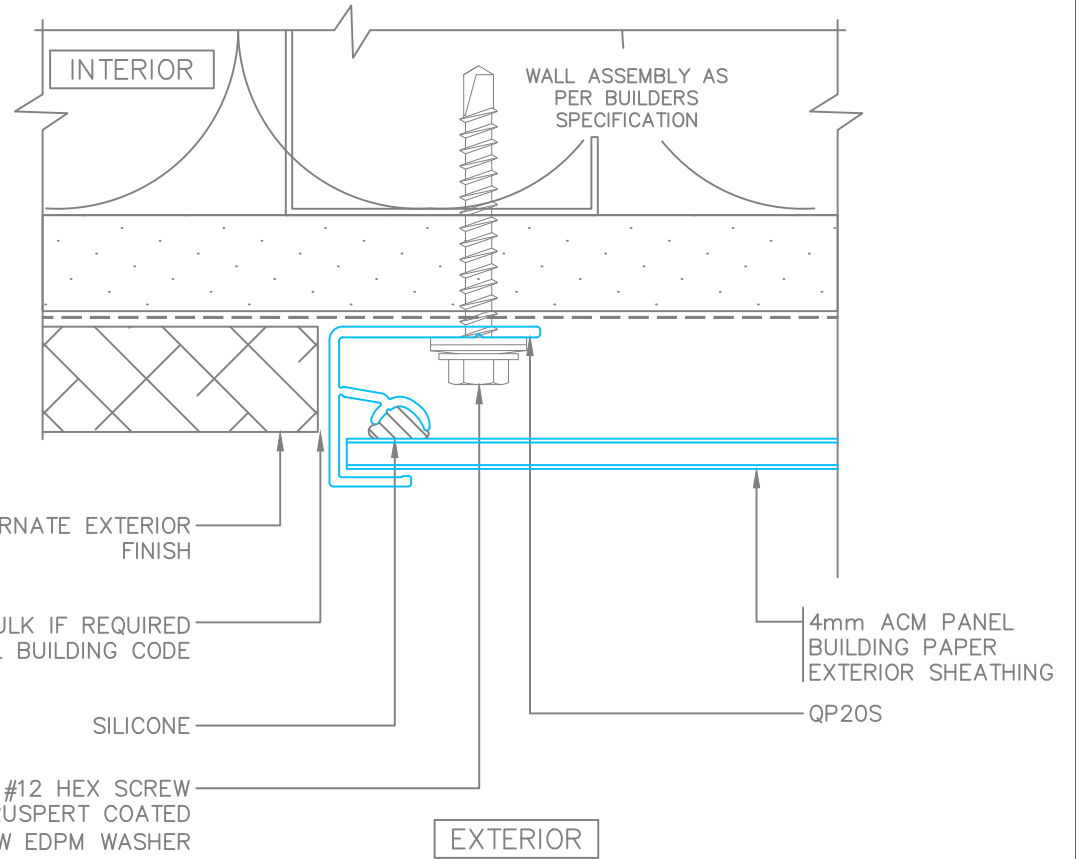
DESCRIPTION			
ABSOLUTE CORNER TERMINATION DETAIL			
	SCALE	NTS	DRAWING NUMBER
	DATE	APR2024	QP1.6b
	DRWN BY	HJ/DDG	

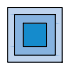


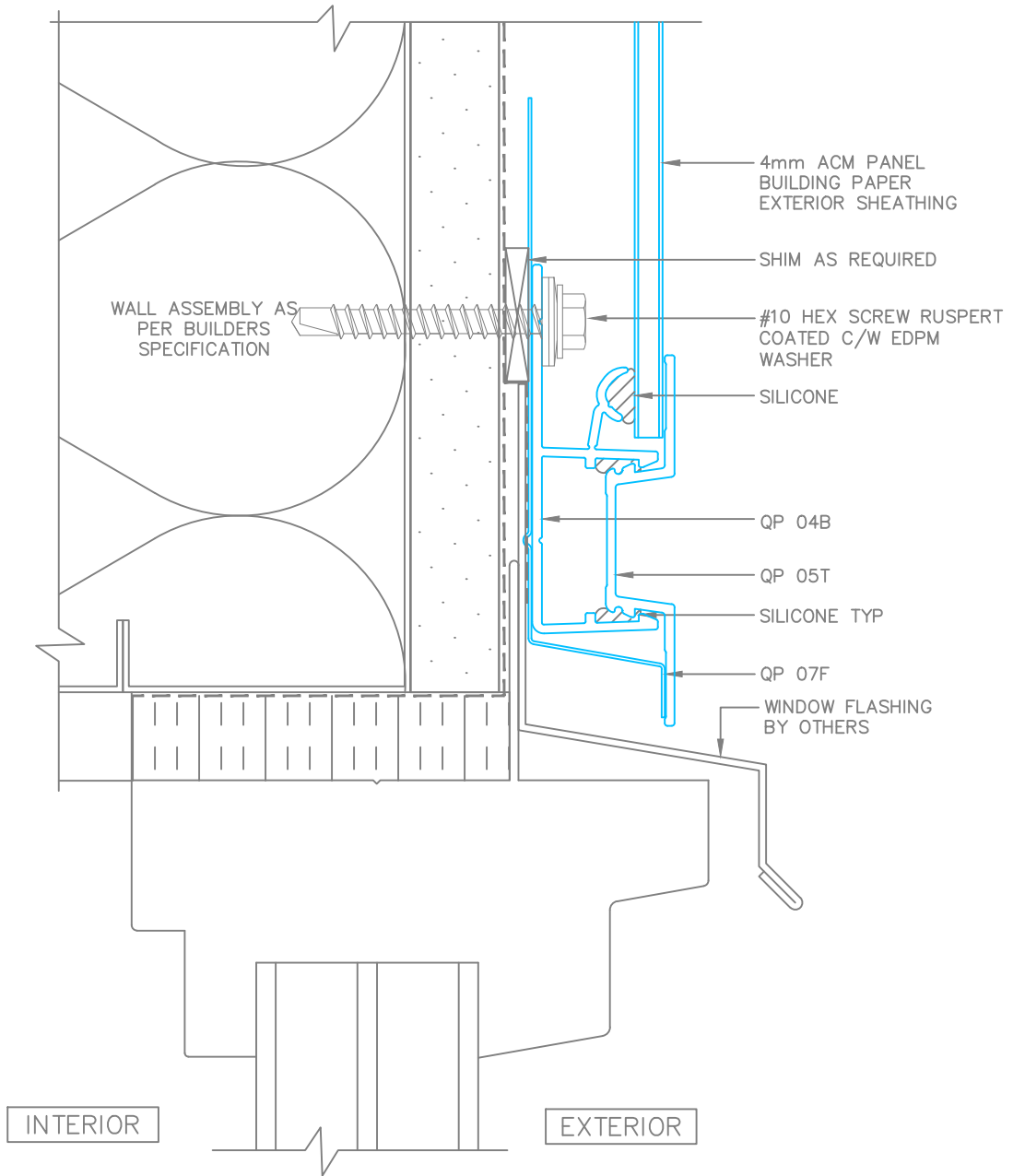
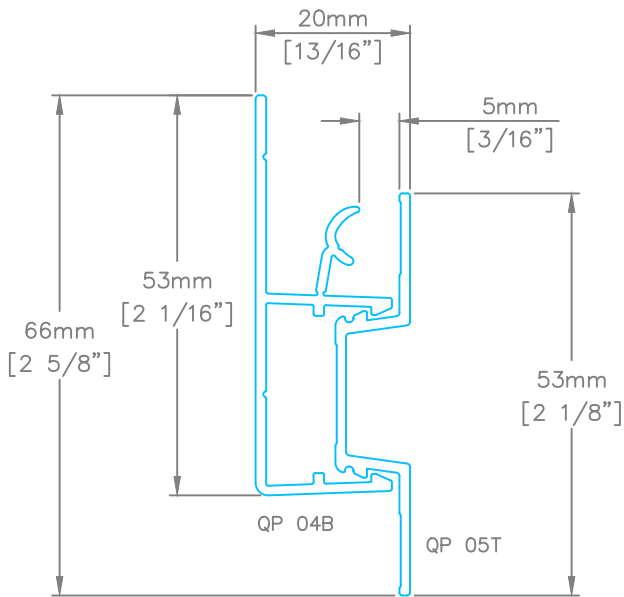
DESCRIPTION			
REVEAL VERTICAL TERMINATION DETAIL			
	SCALE	NTS	DRAWING NUMBER
	DATE	APR2024	QP1.7a
	DRWN BY	HJ/DDG	



DESCRIPTION			
ABSOLUTE VERTICAL TERMINATION DETAIL			
	SCALE	NTS	DRAWING NUMBER
	DATE	APR2024	QP1.7b
	DRWN BY	HJ/DDG	



DESCRIPTION			
GENERAL J TRIM DETAIL			
 QuickPanel Systems	SCALE	NTS	DRAWING NUMBER
	DATE	APR2024	QP1.8a
	DRWN BY	DDG	



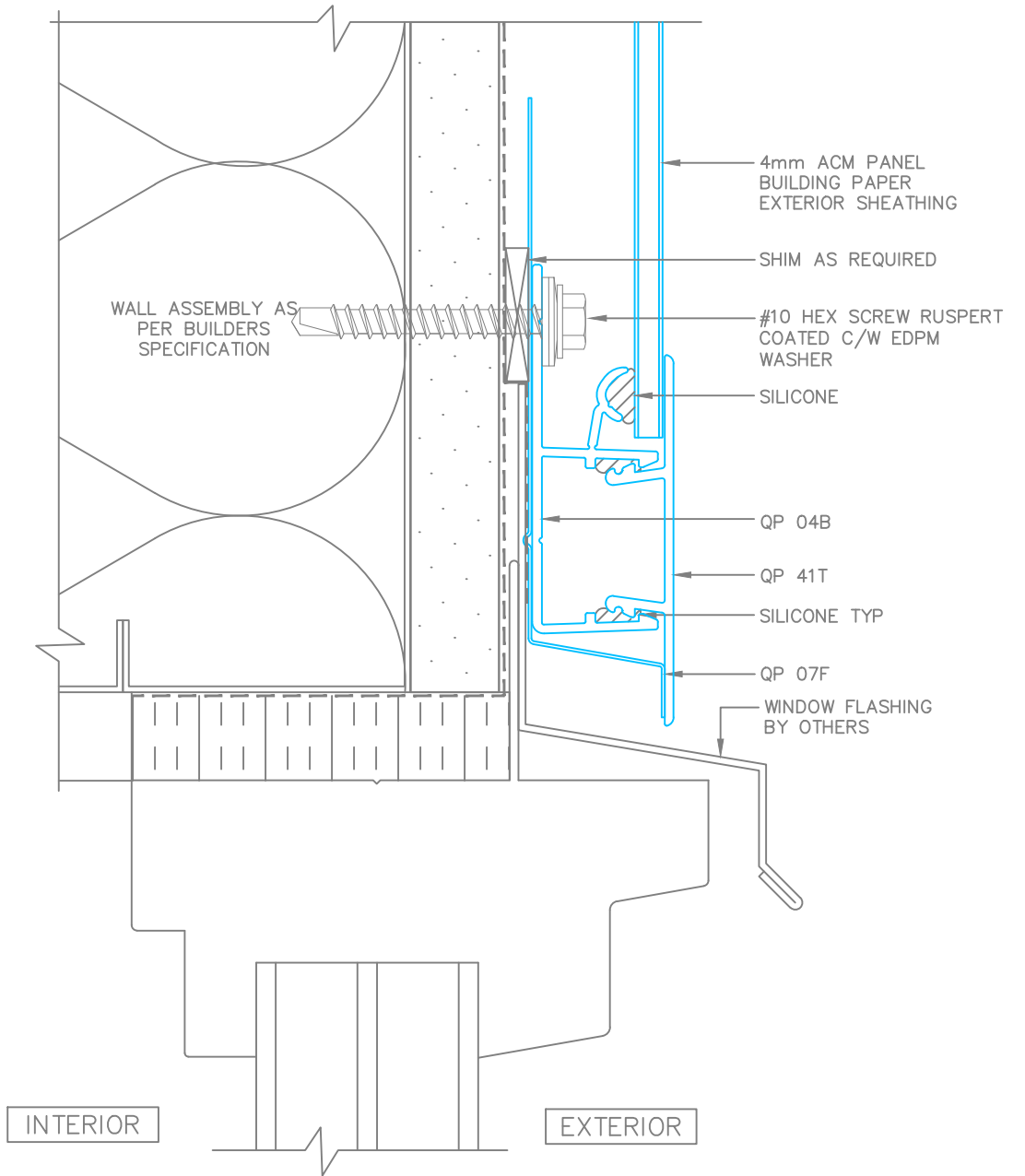
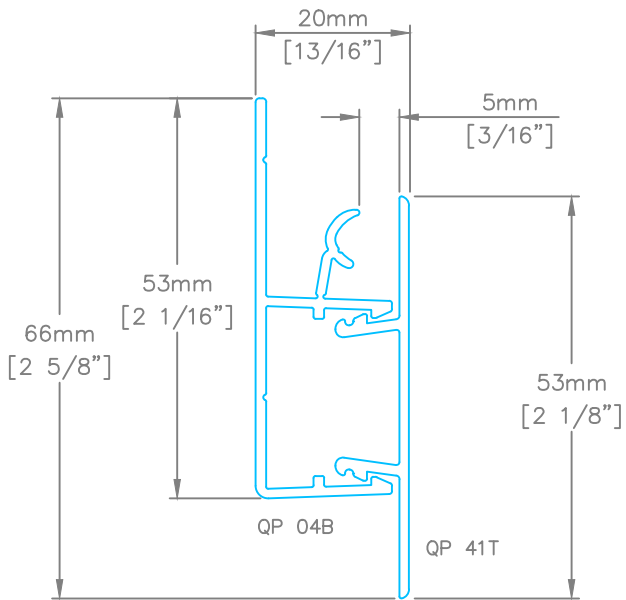
DESCRIPTION


REVEAL (PROJECTING) WINDOW HEAD DETAIL

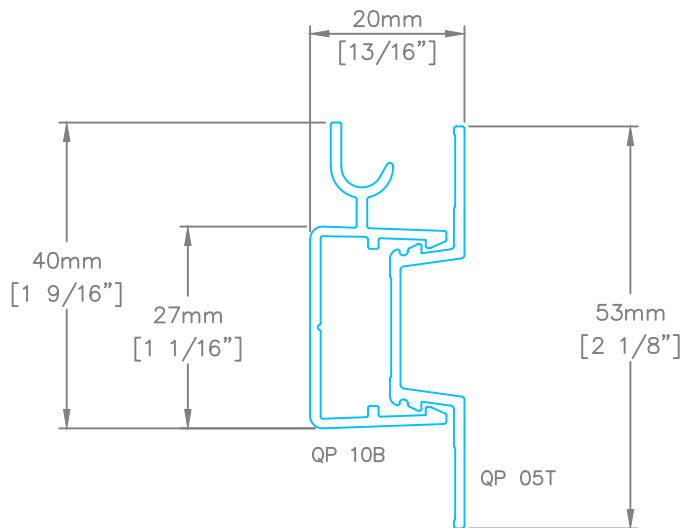
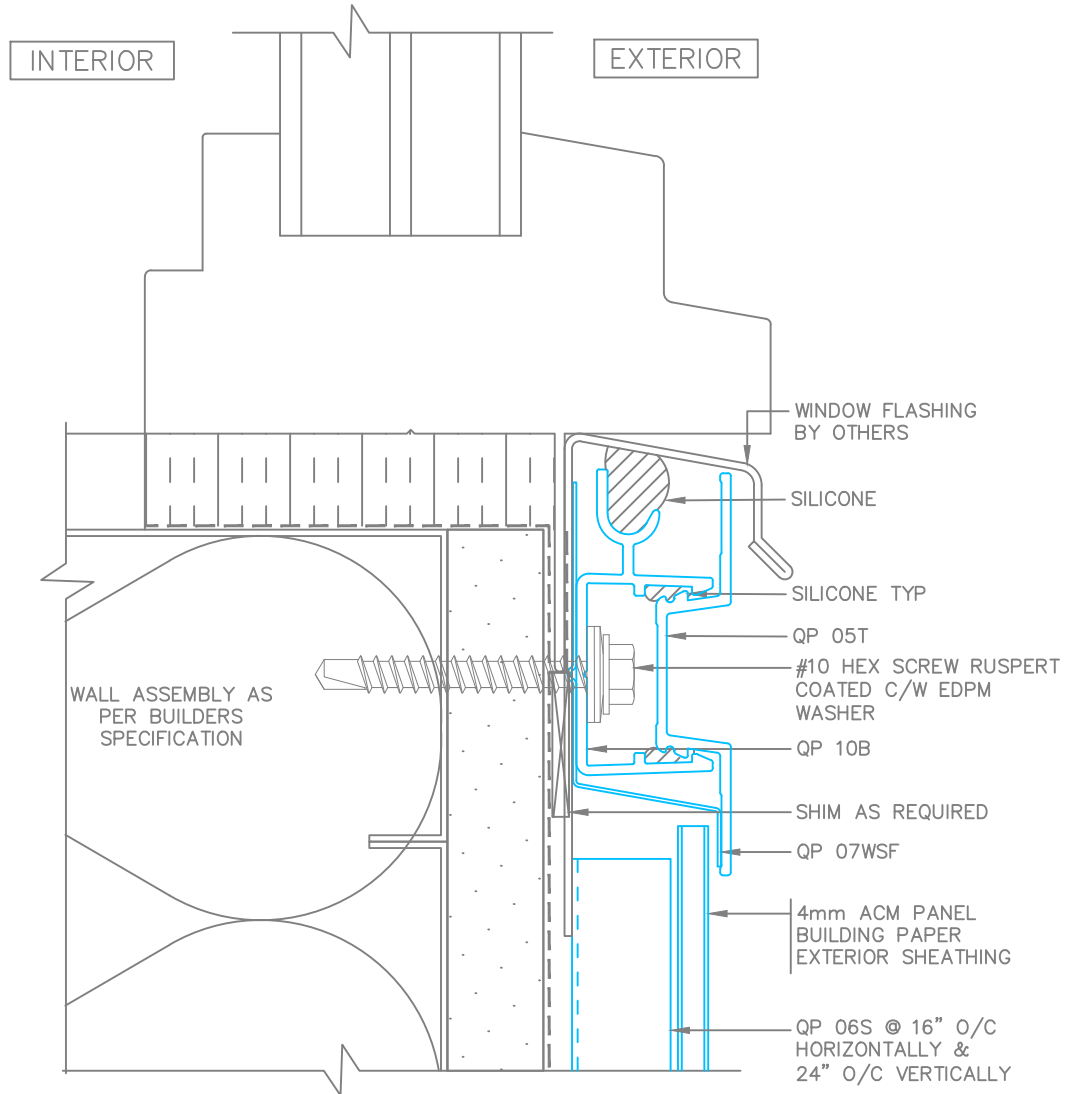


QuickPanel
Systems

SCALE	NTS	DRAWING NUMBER
DATE	APR2024	QP2.1a
DRWN BY	HJ/DDG	



DESCRIPTION			
ABSOLUTE (PROJECTING) WINDOW HEAD DETAIL			
	SCALE	NTS	DRAWING NUMBER
	DATE	APR2024	QP2.1b
	DRWN BY	HJ/DDG	



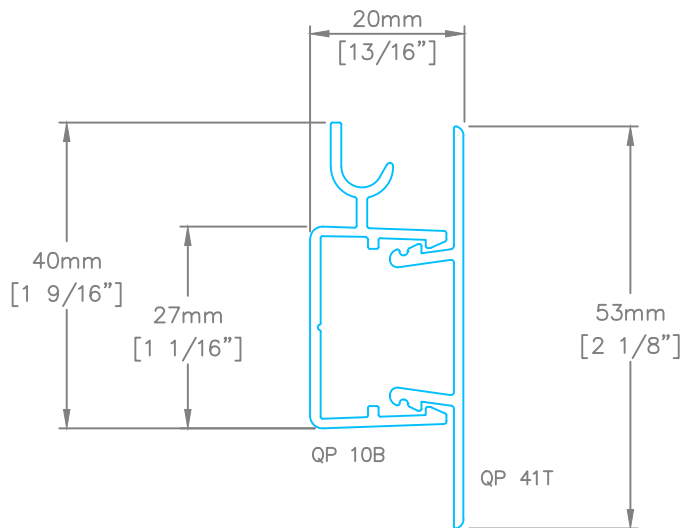
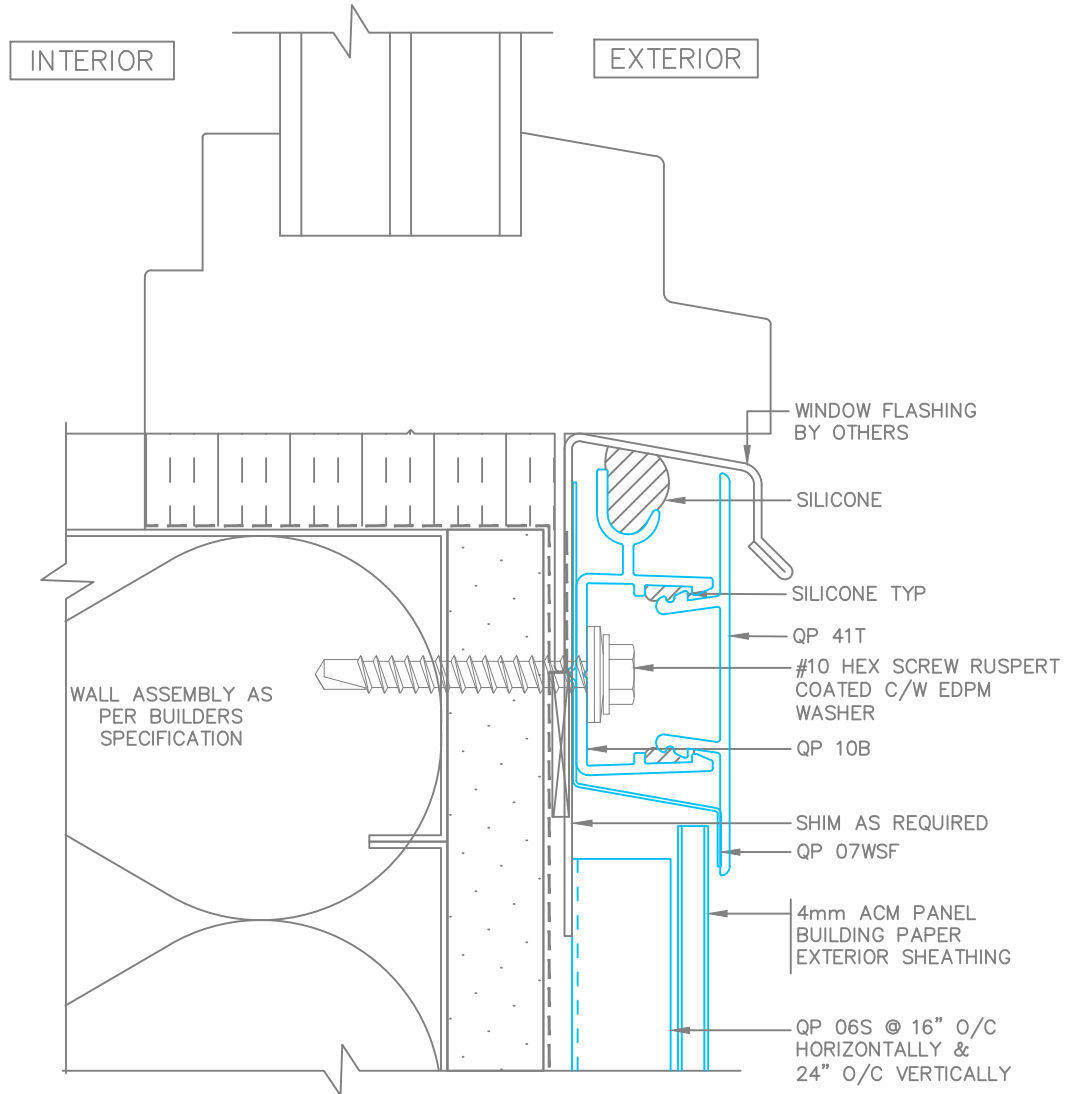
DESCRIPTION

REVEAL (PROJECTING) WINDOW SILL DETAIL



QuickPanel
Systems

SCALE	NTS	DRAWING NUMBER
DATE	APR2024	QP2.2a
DRWN BY	HJ/DDG	



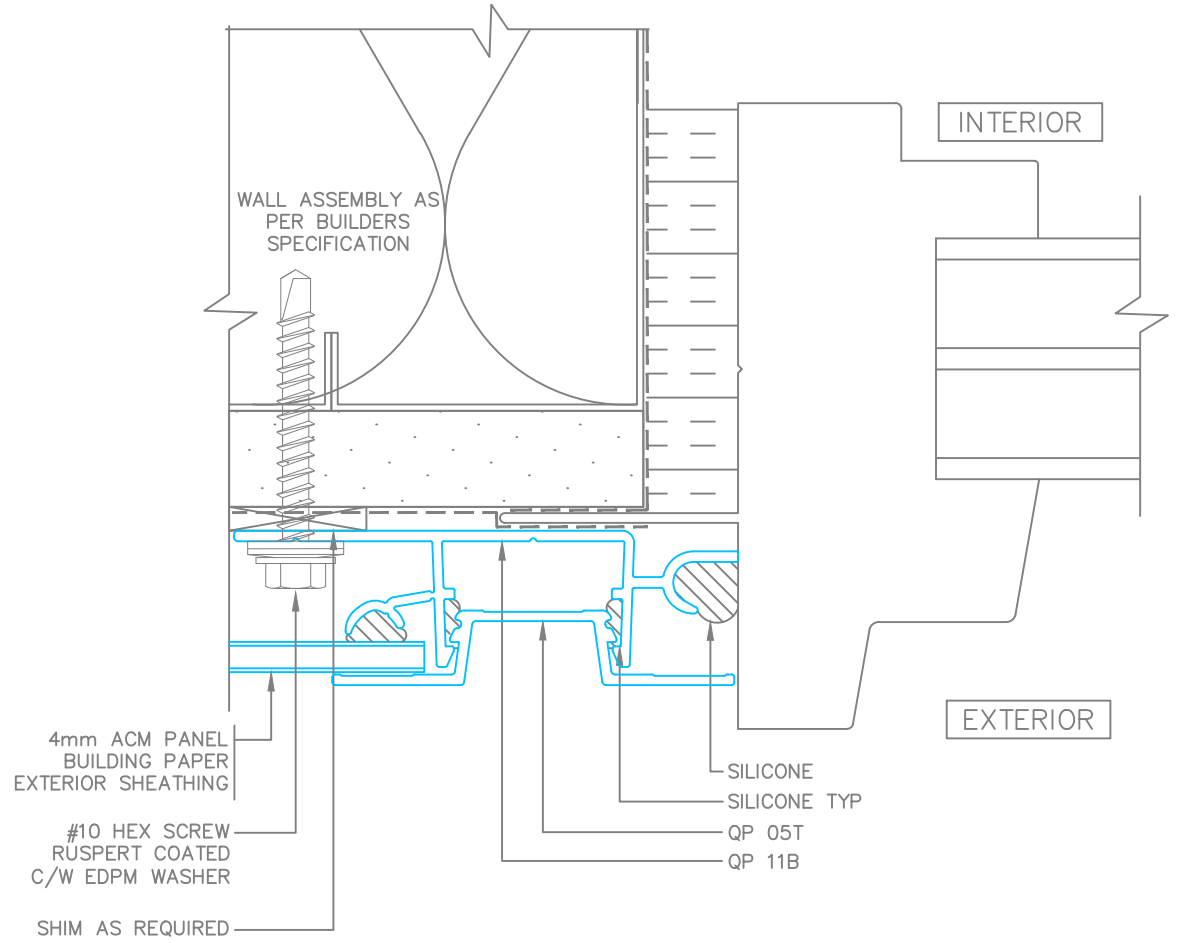
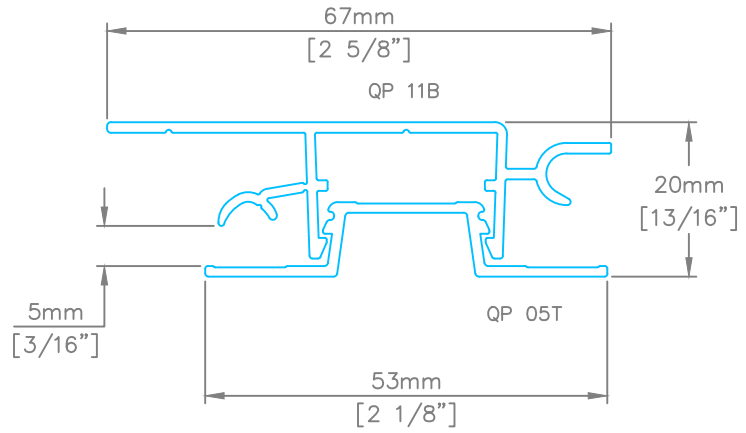
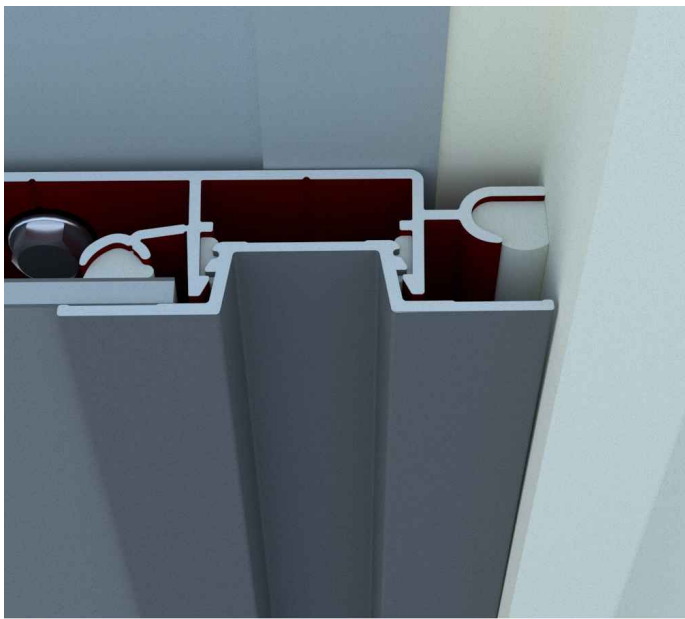
DESCRIPTION

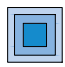
ABSOLUTE (PROJECTING) WINDOW SILL DETAIL

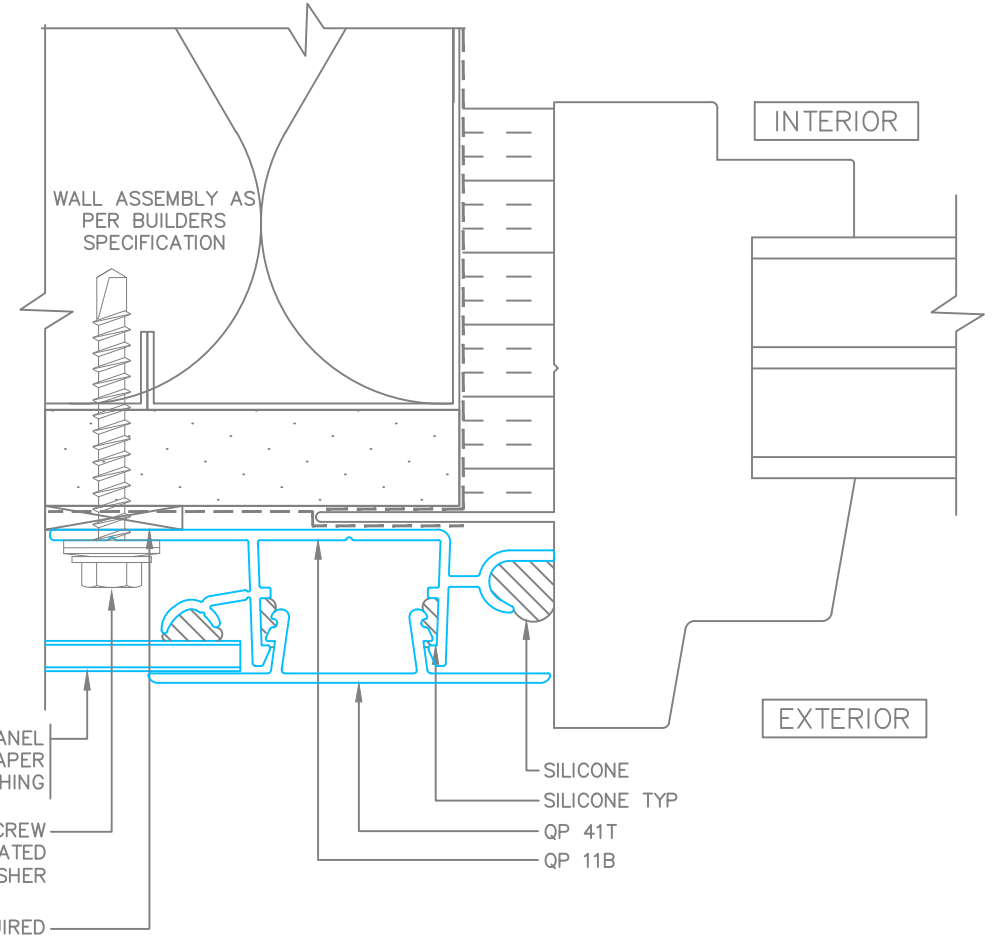
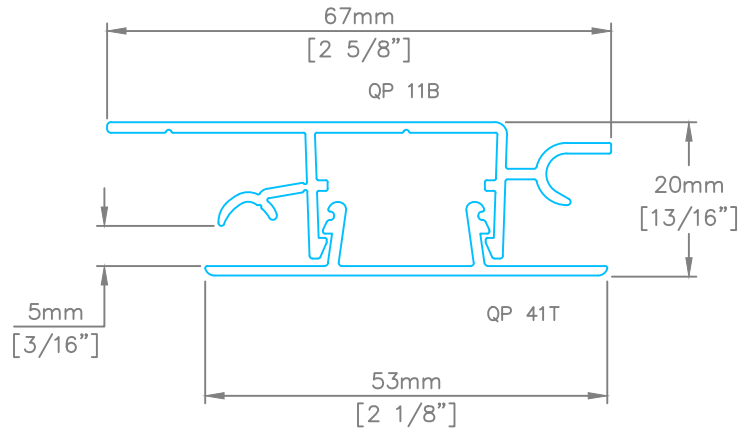
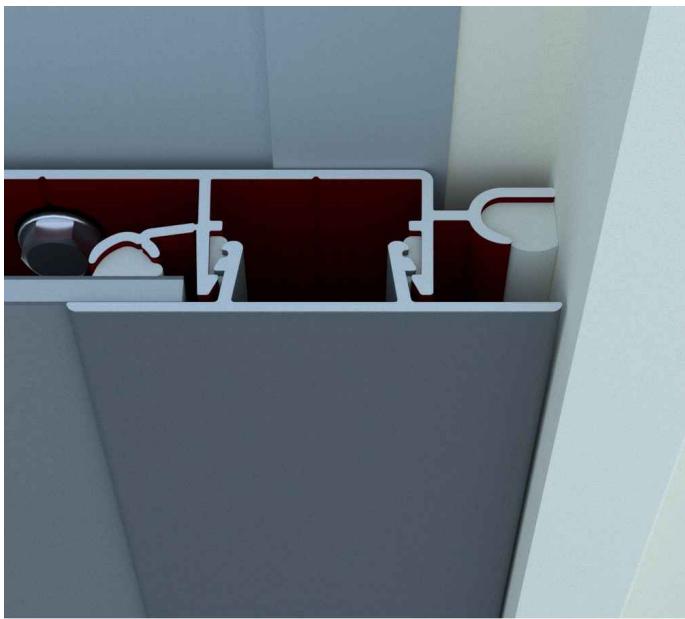


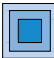
QuickPanel
Systems

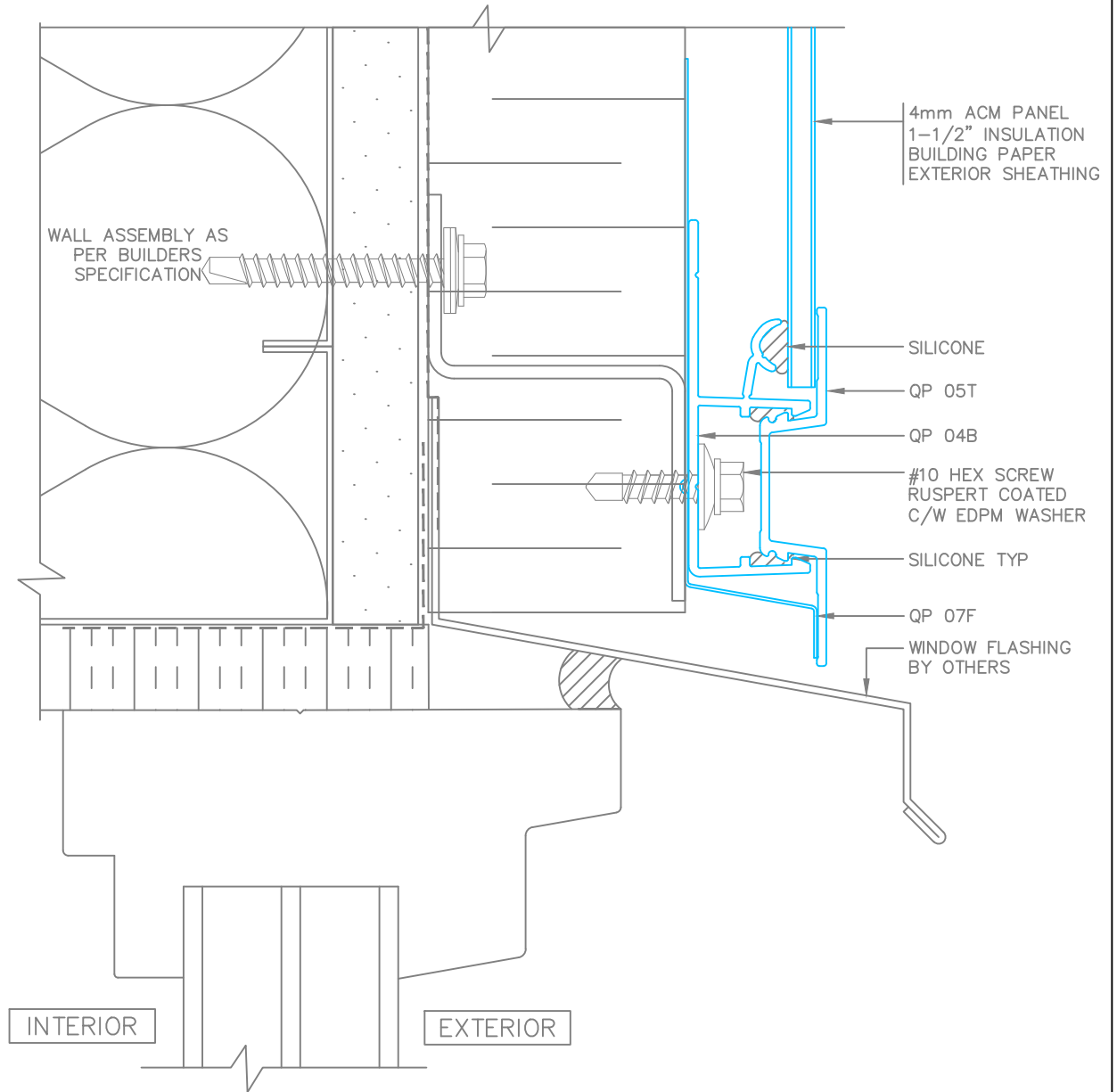
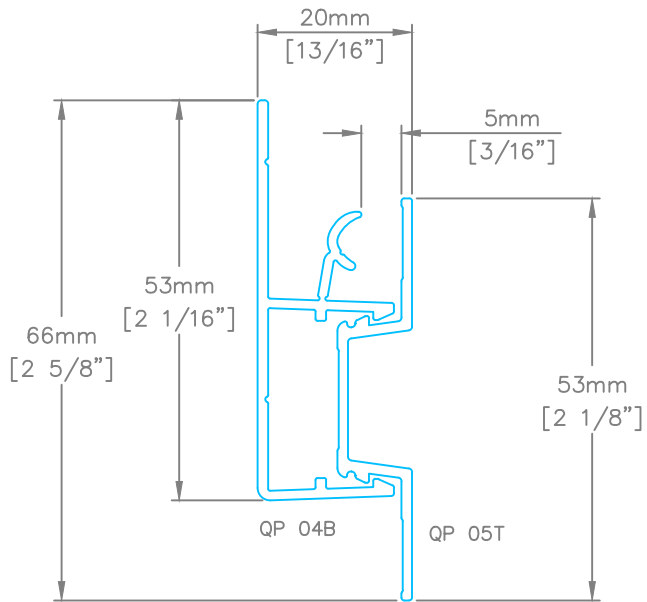
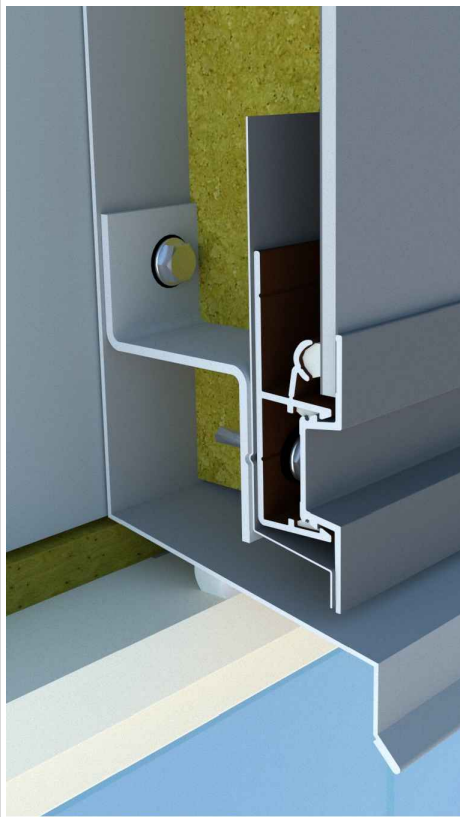
SCALE	NTS	DRAWING NUMBER
DATE	APR2024	QP2.2b
DRWN BY	HJ/DDG	




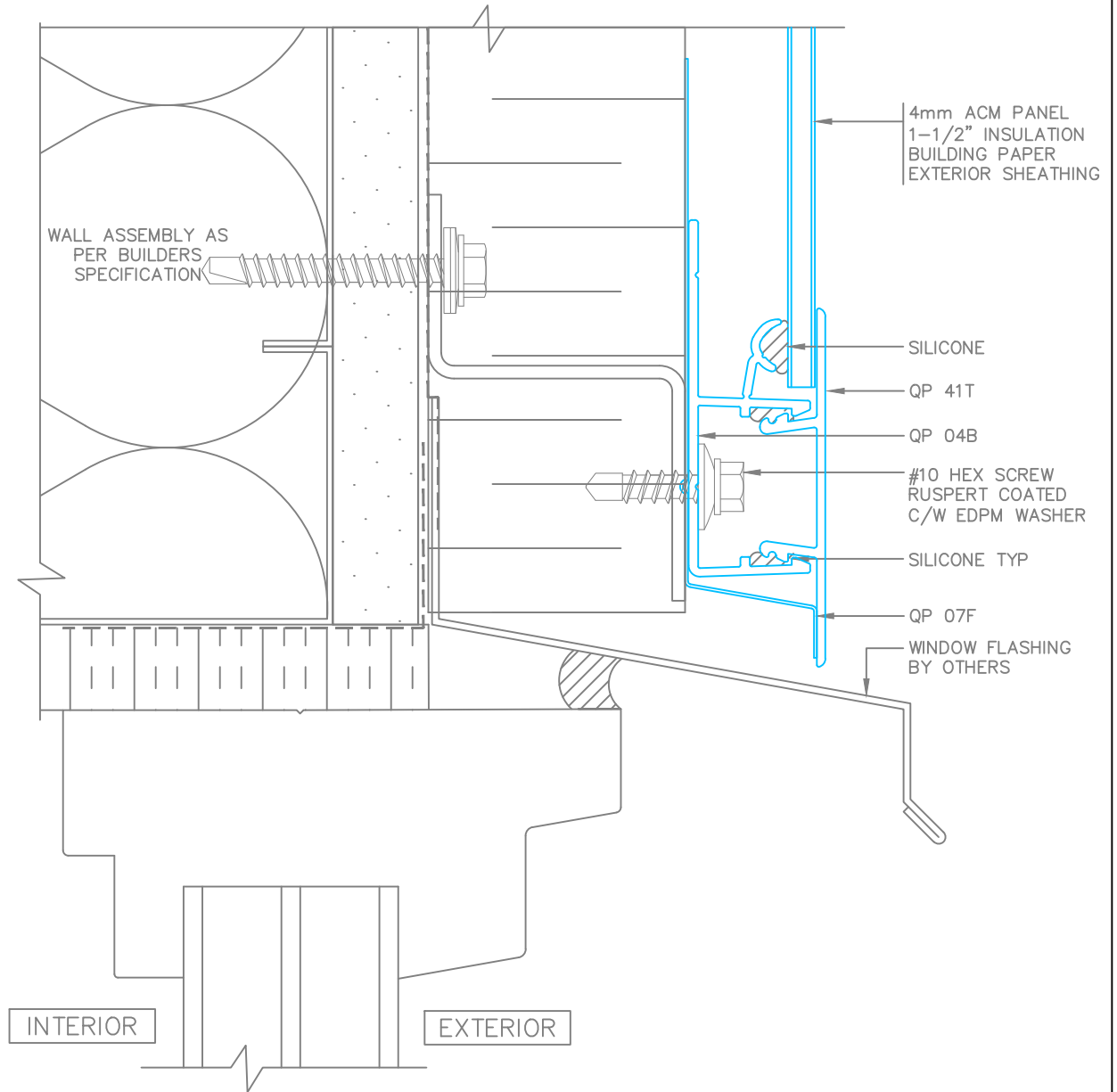
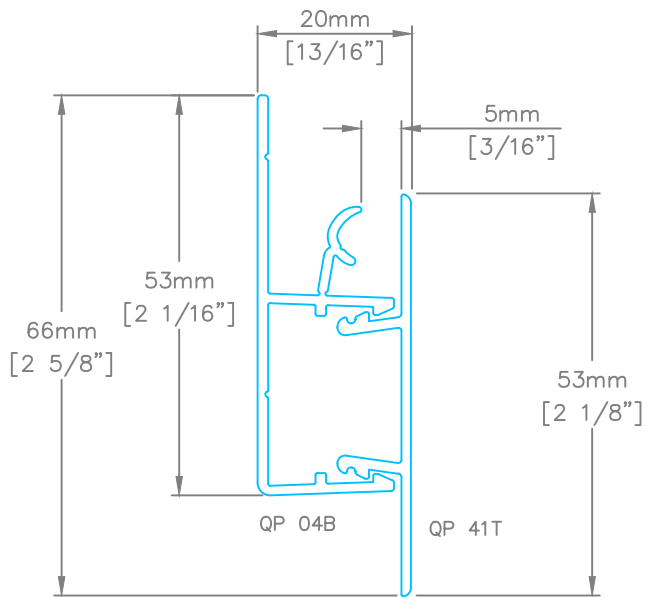
DESCRIPTION			
REVEAL (PROJECTING) WINDOW JAMB DETAIL			
 QuickPanel Systems	SCALE	NTS	DRAWING NUMBER
	DATE	APR2024	QP2.3a
	DRWN BY	HJ/DDG	




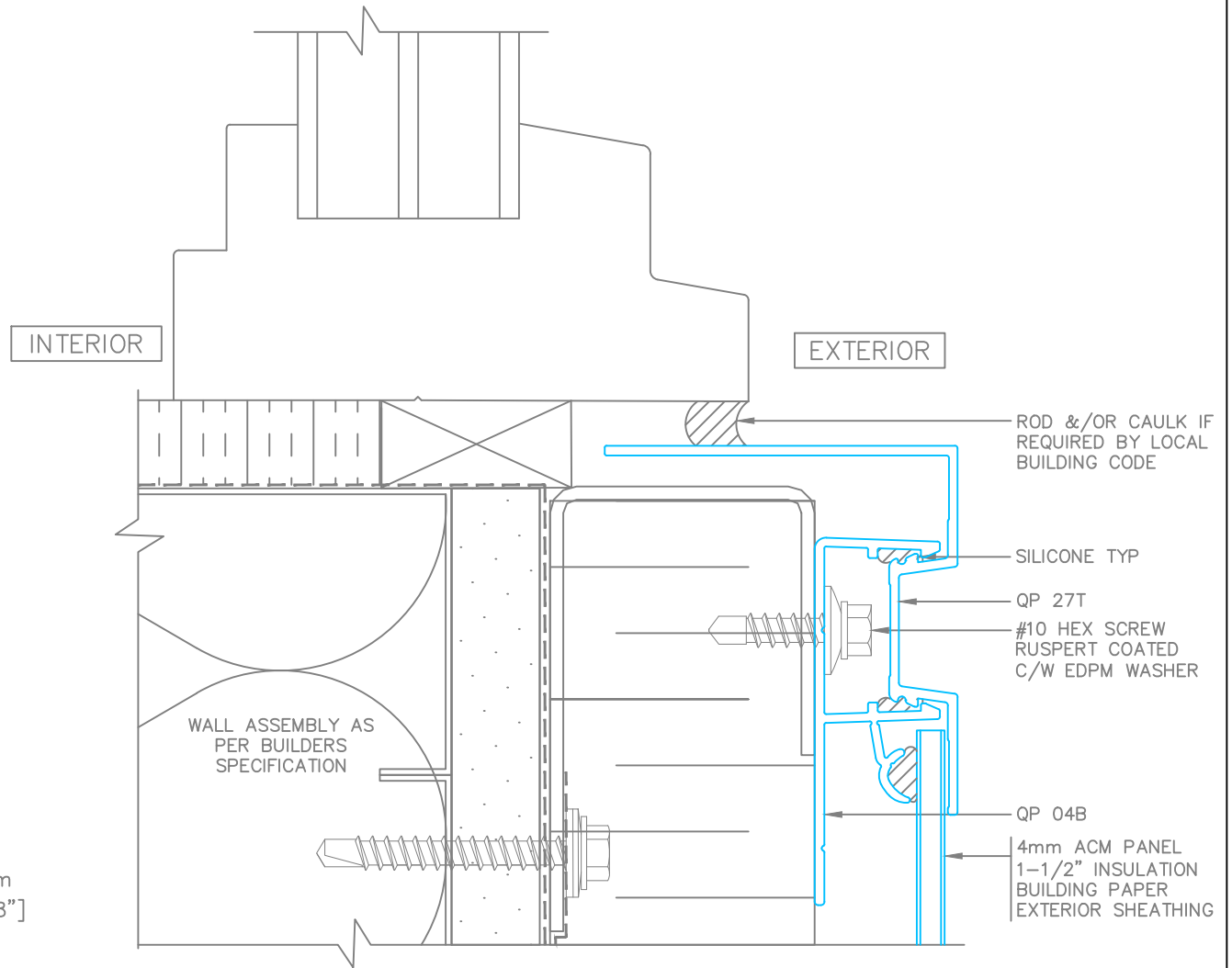
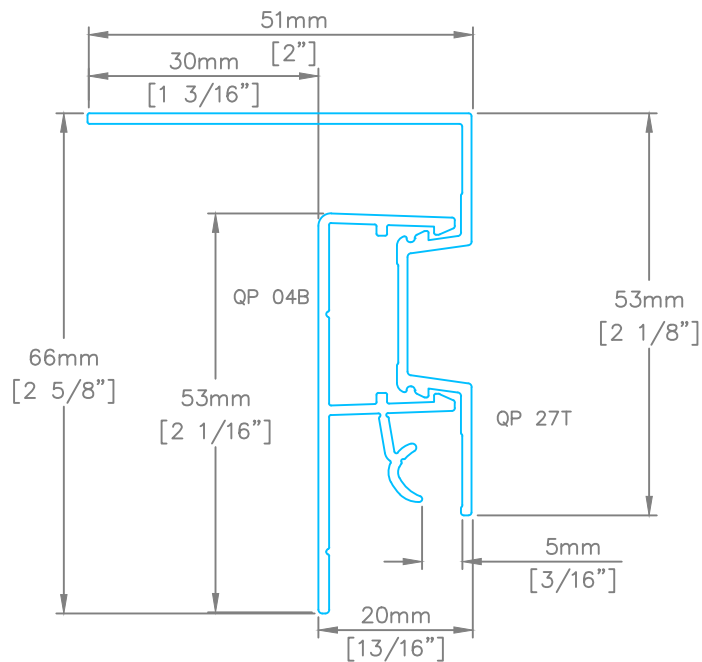
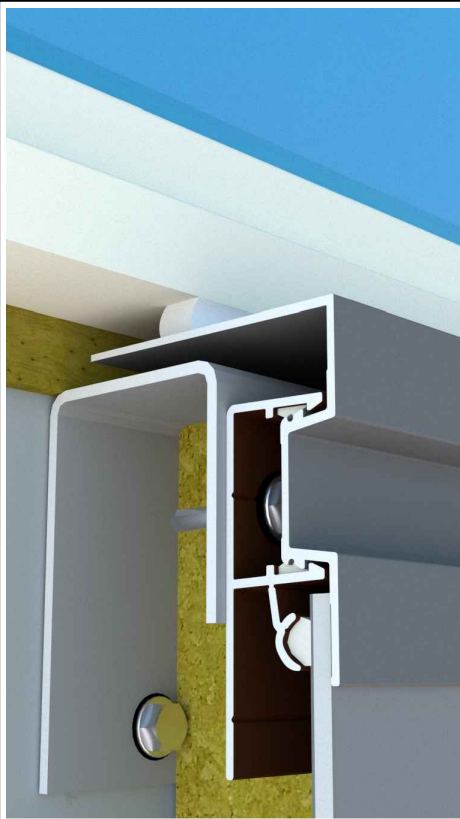
DESCRIPTION			
ABSOLUTE (PROJECTING) WINDOW JAMB DETAIL			
 QuickPanel Systems	SCALE	NTS	DRAWING NUMBER
	DATE	APR2024	QP2.3b
	DRWN BY	HJ/DDG	




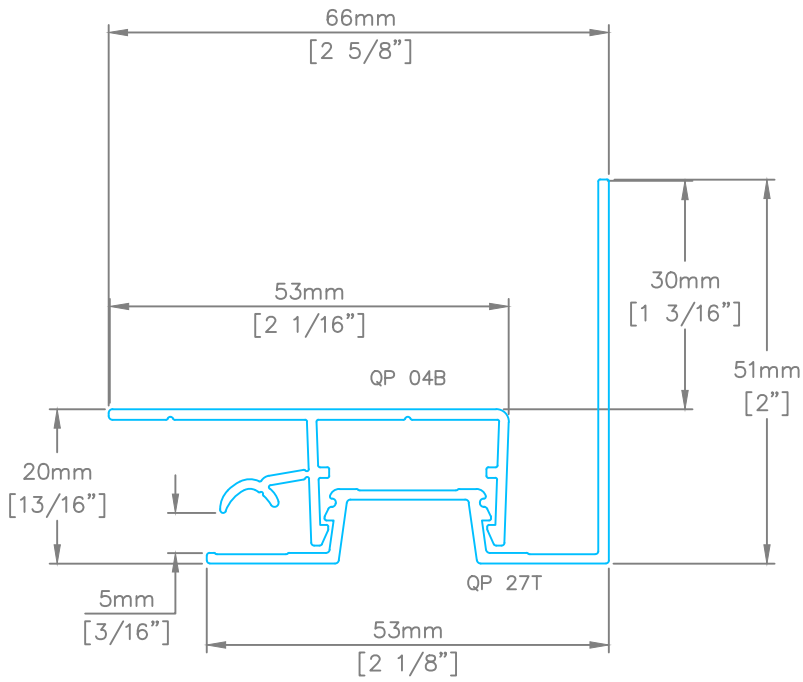
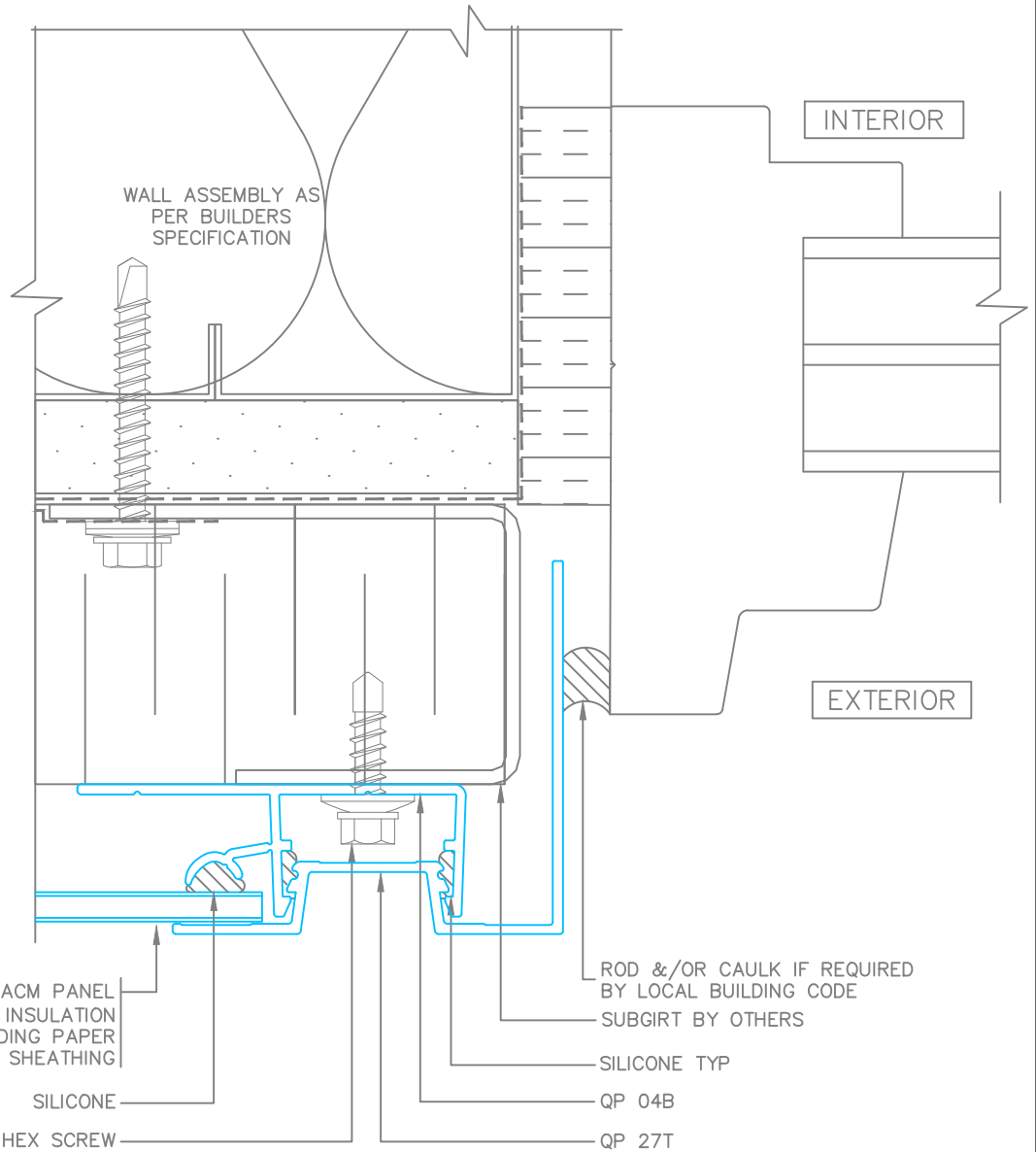
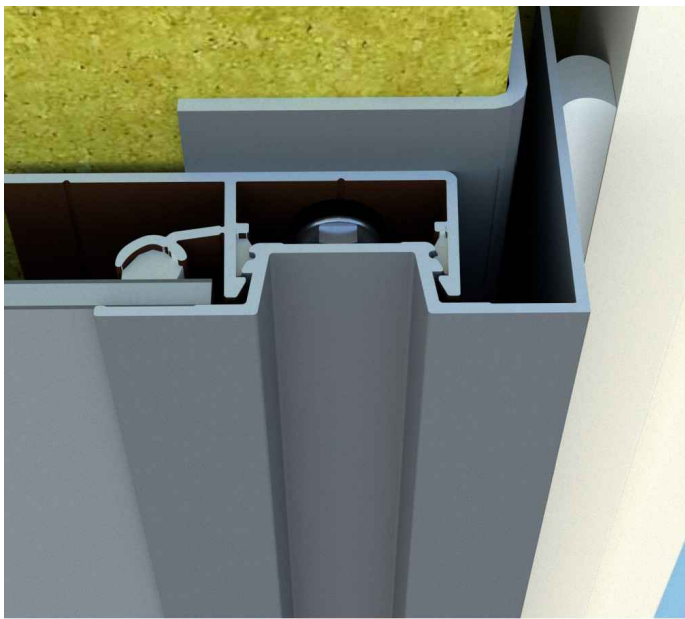
DESCRIPTION			
REVEAL (RECESSED) WINDOW HEAD DETAIL			
	SCALE	NTS	DRAWING NUMBER
	DATE	APR2024	QP2.4a
	DRWN BY	HJ/DDG	

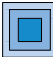


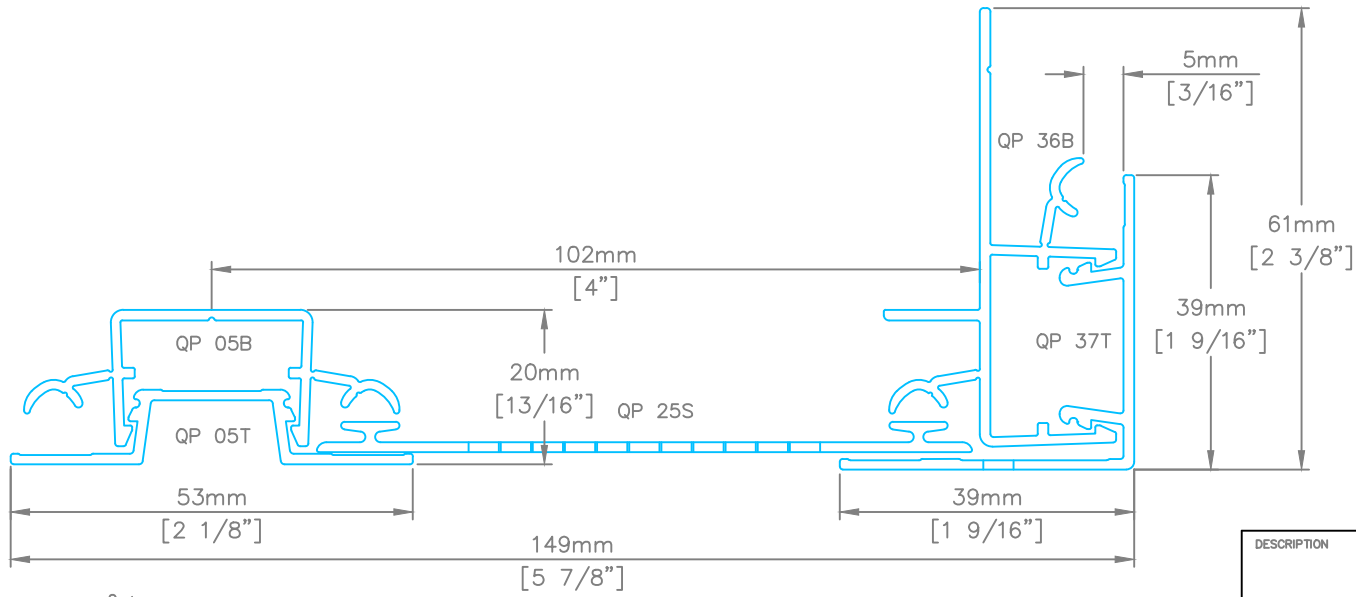
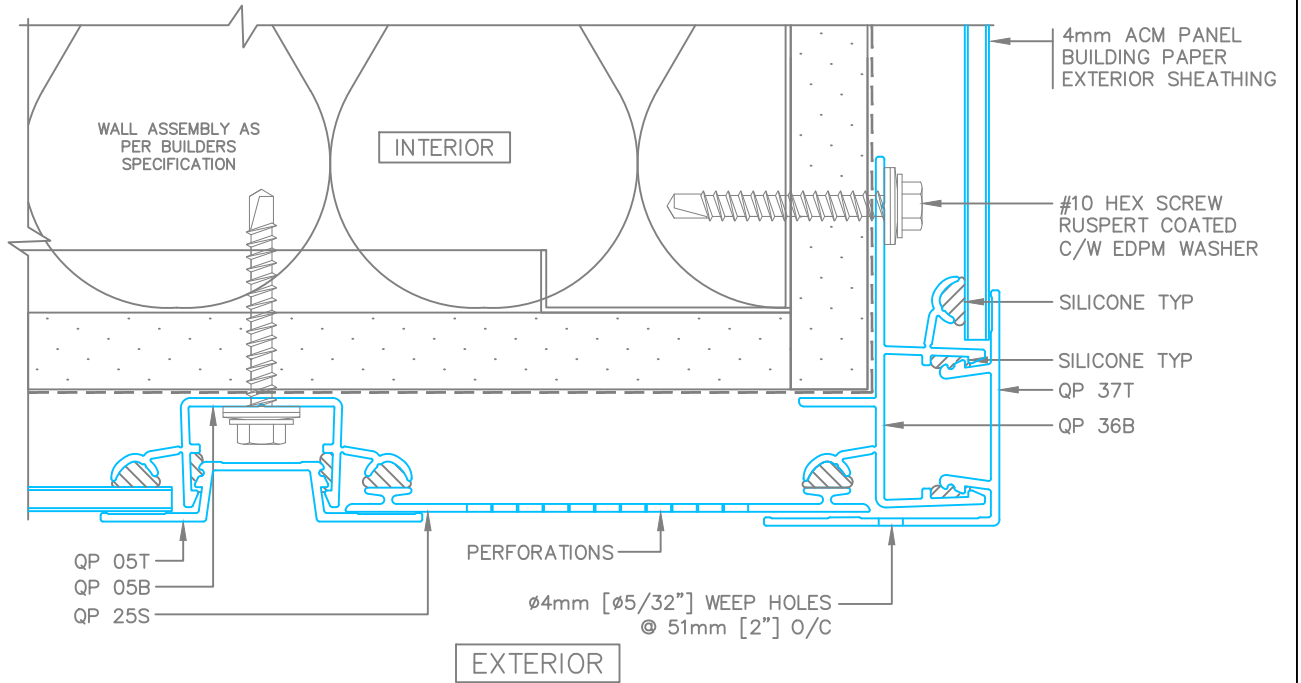
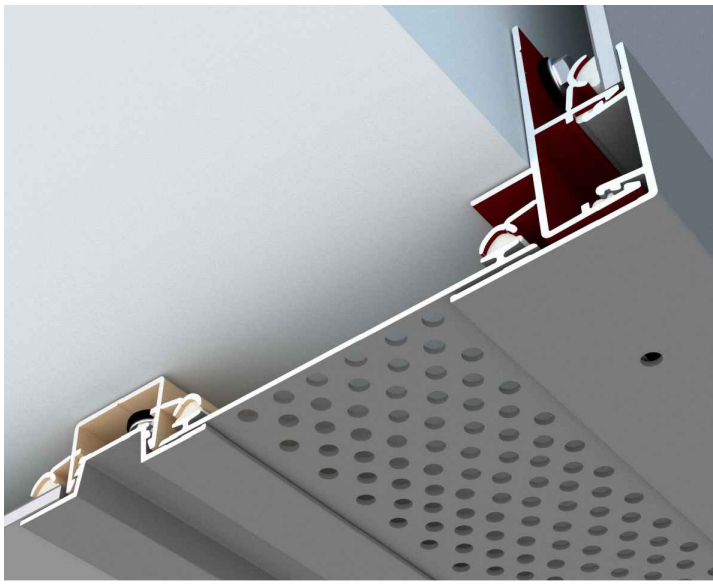
DESCRIPTION			
ABSOLUTE (RECESSED) WINDOW HEAD DETAIL			
	SCALE	NTS	DRAWING NUMBER
	DATE	APR2024	QP2.4b
	DRWN BY	HJ/DDG	



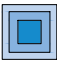
DESCRIPTION			
REVEAL (RECESSED) WINDOW SILL DETAIL			
	SCALE	NTS	DRAWING NUMBER
	DATE	APR2024	QP2.5
	DRWN BY	HJ/DDG	

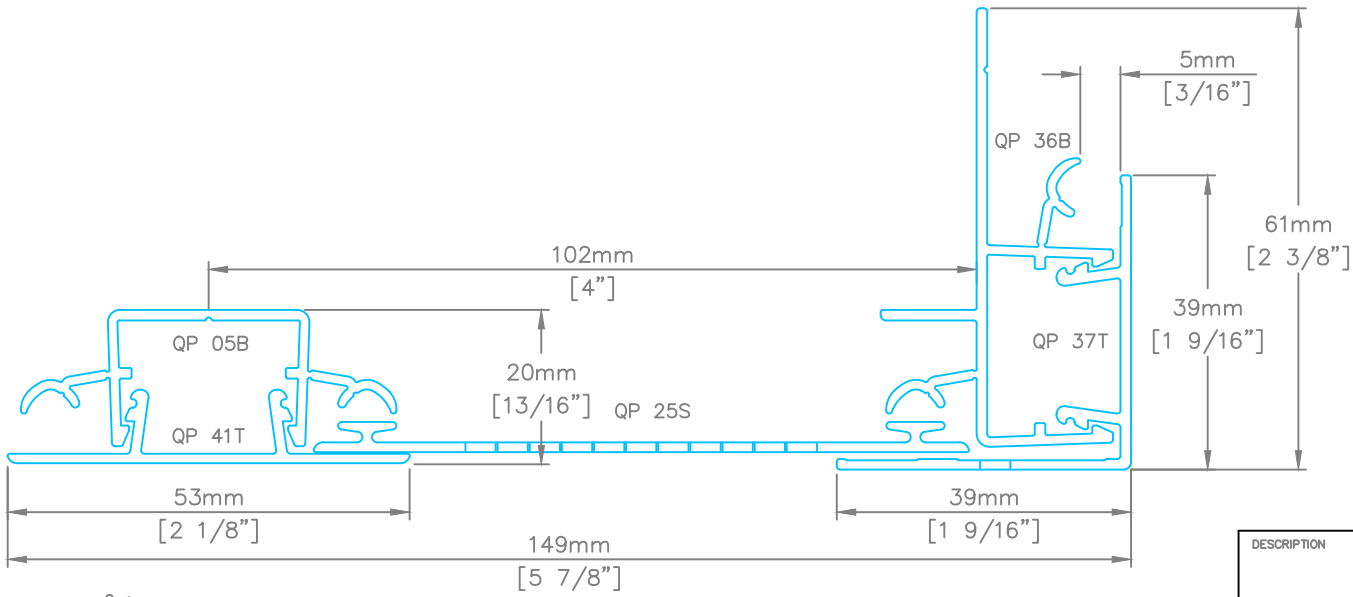
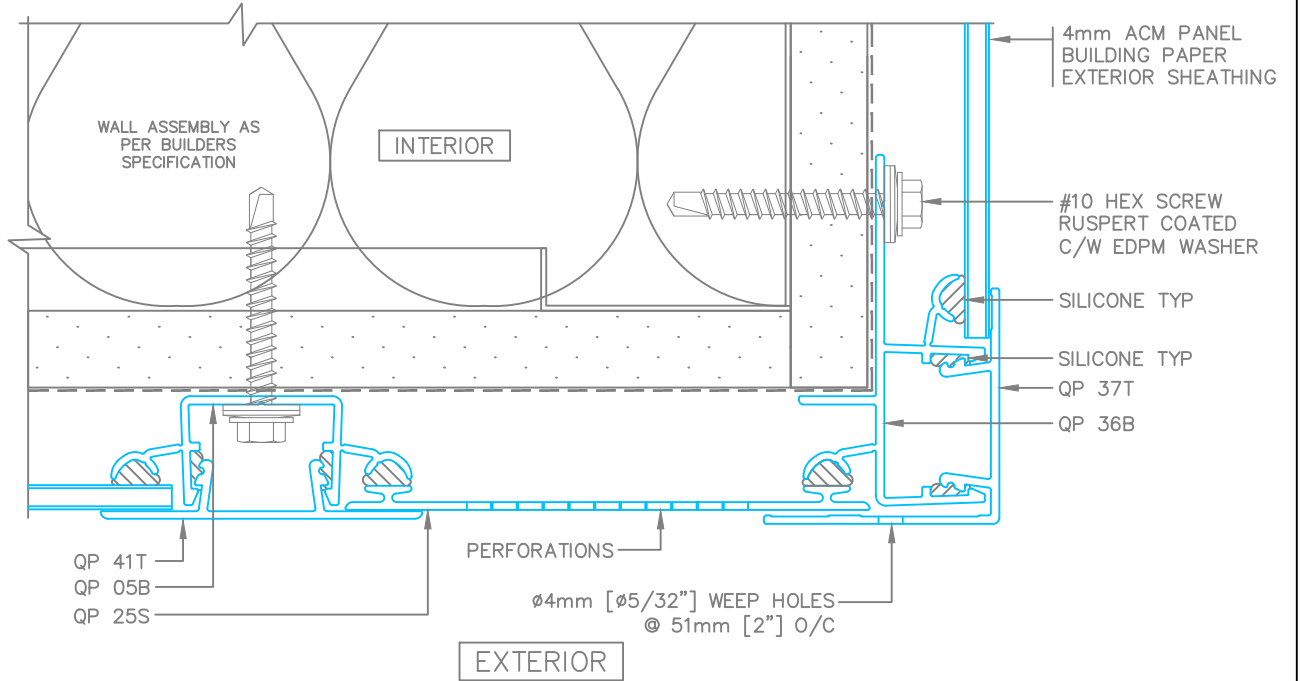
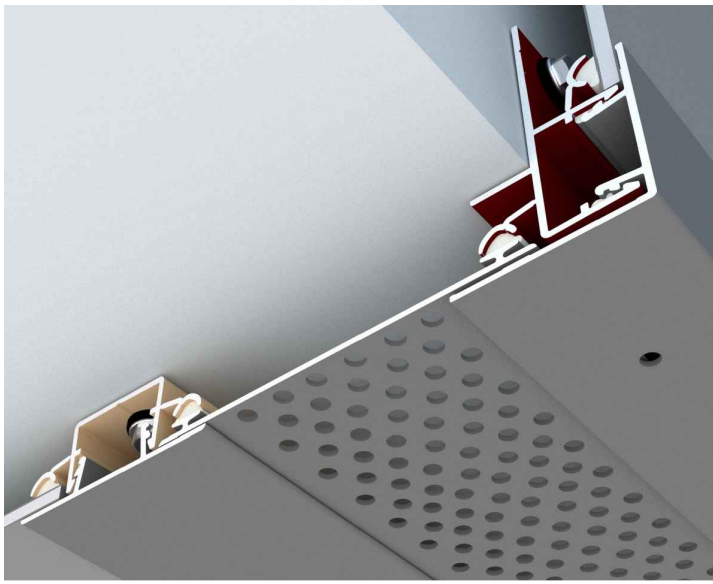


DESCRIPTION			
REVEAL (RECESSED) WINDOW JAMB DETAIL			
 QuickPanel Systems	SCALE	NTS	DRAWING NUMBER
	DATE	APR2024	QP2.6
	DRWN BY	HJ/DDG	




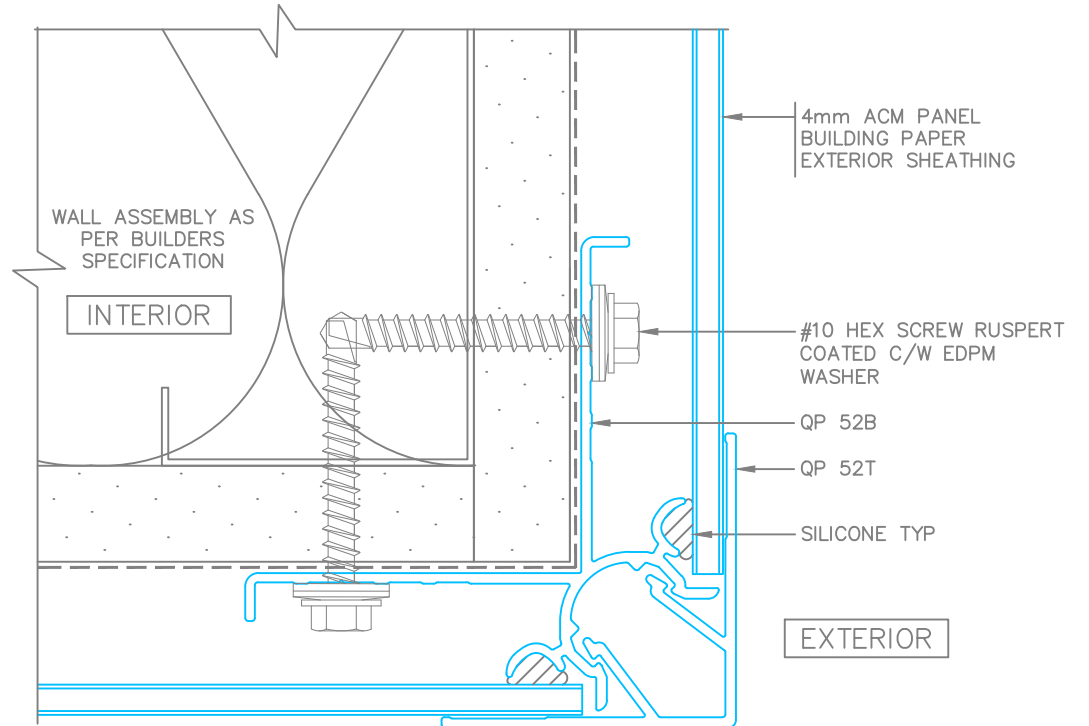
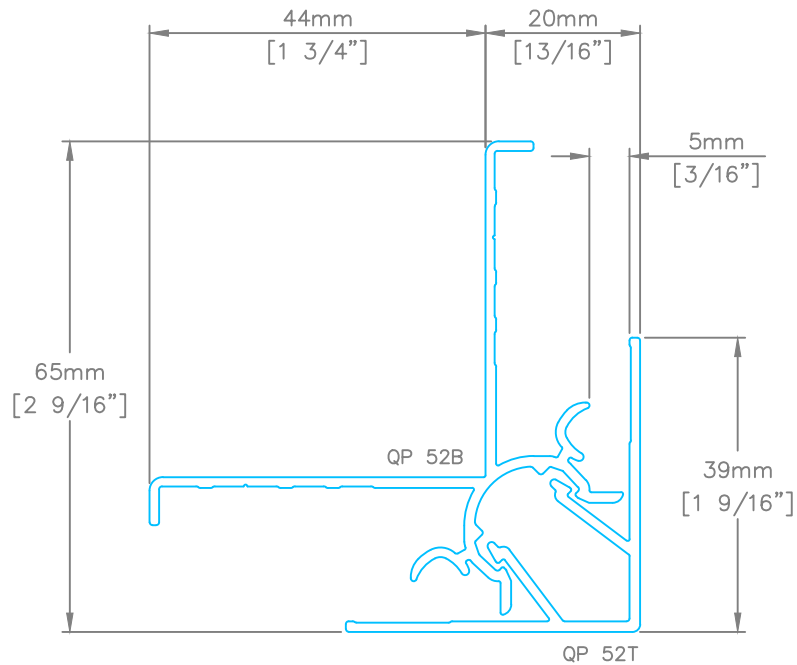
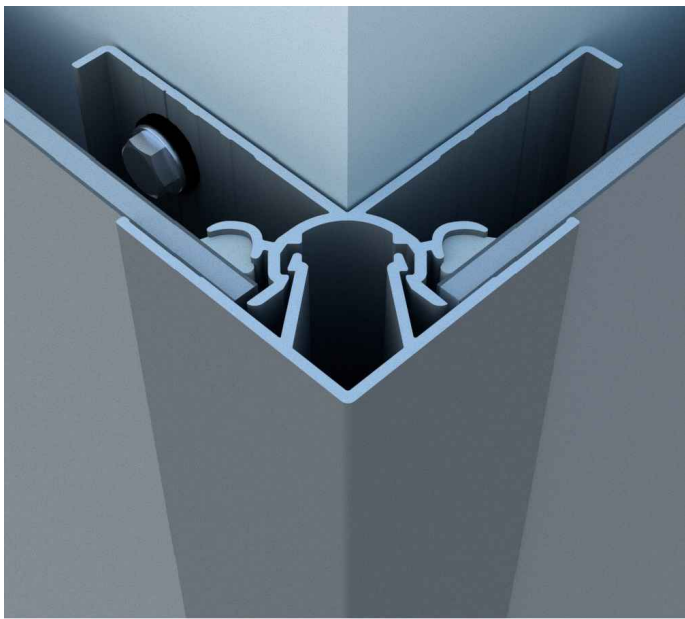
7.7 in²/ LIN FT
163.3 cm²/ LIN m
NET FREE AIR SPACE

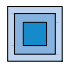
DESCRIPTION			
REVEAL SOFFIT DETAIL			
 QuickPanel Systems	SCALE	NTS	DRAWING NUMBER
	DATE	APR2024	QP3.1a
	DRWN BY	HJ/DDG	

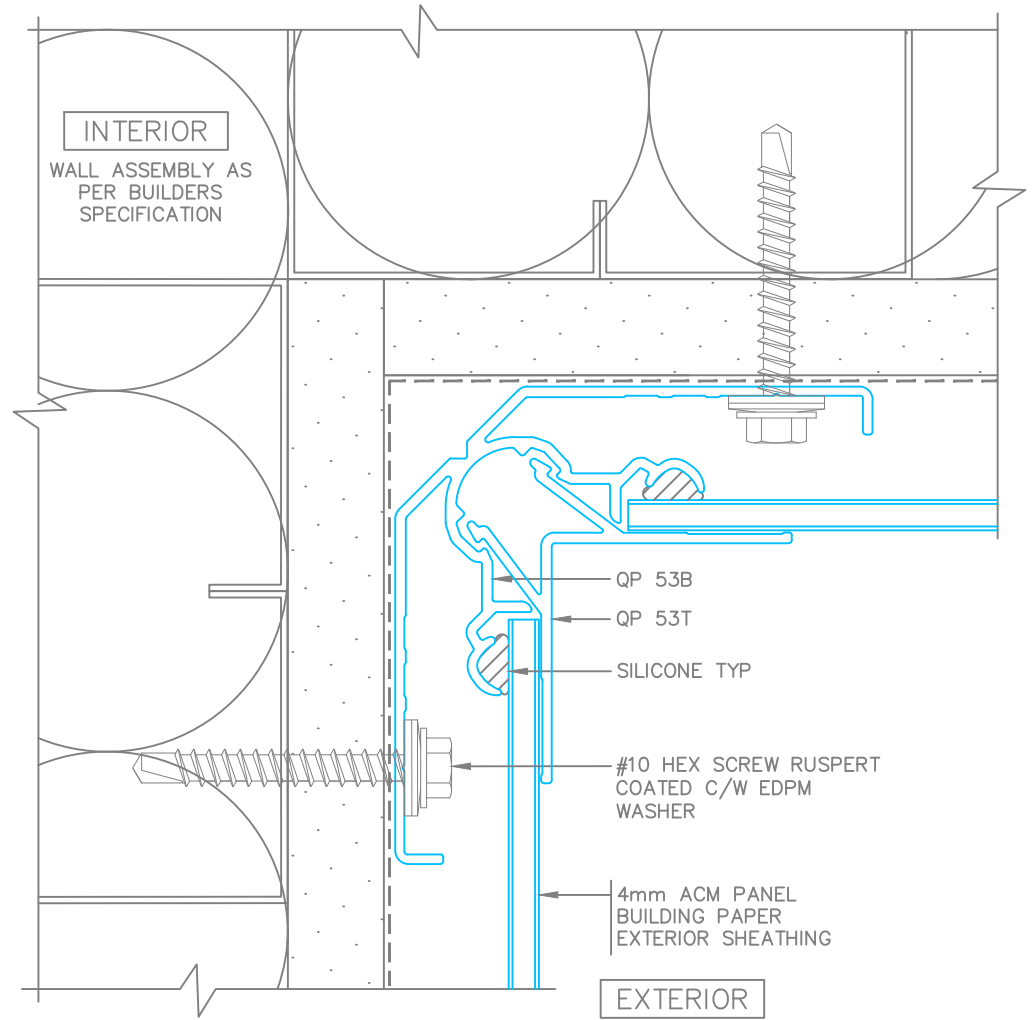
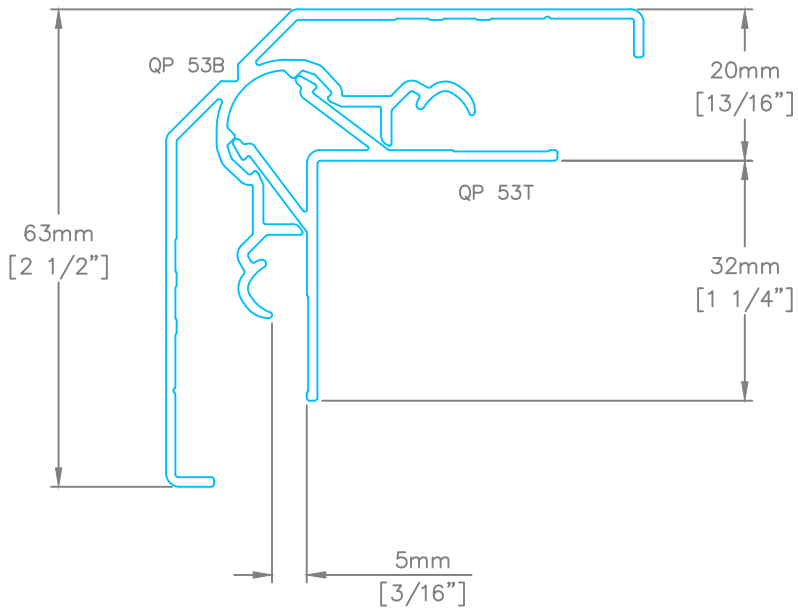
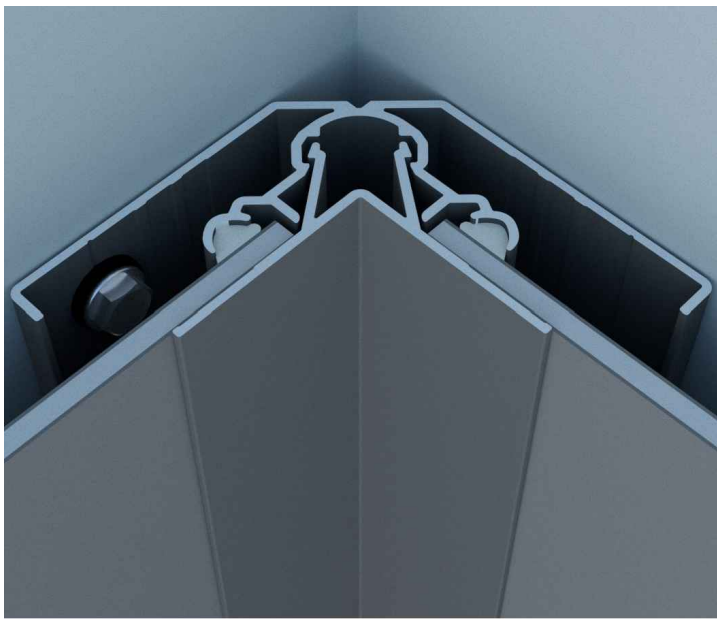


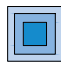
7.7 in²/ LIN FT
163.3 cm²/ LIN m
NET FREE AIR SPACE

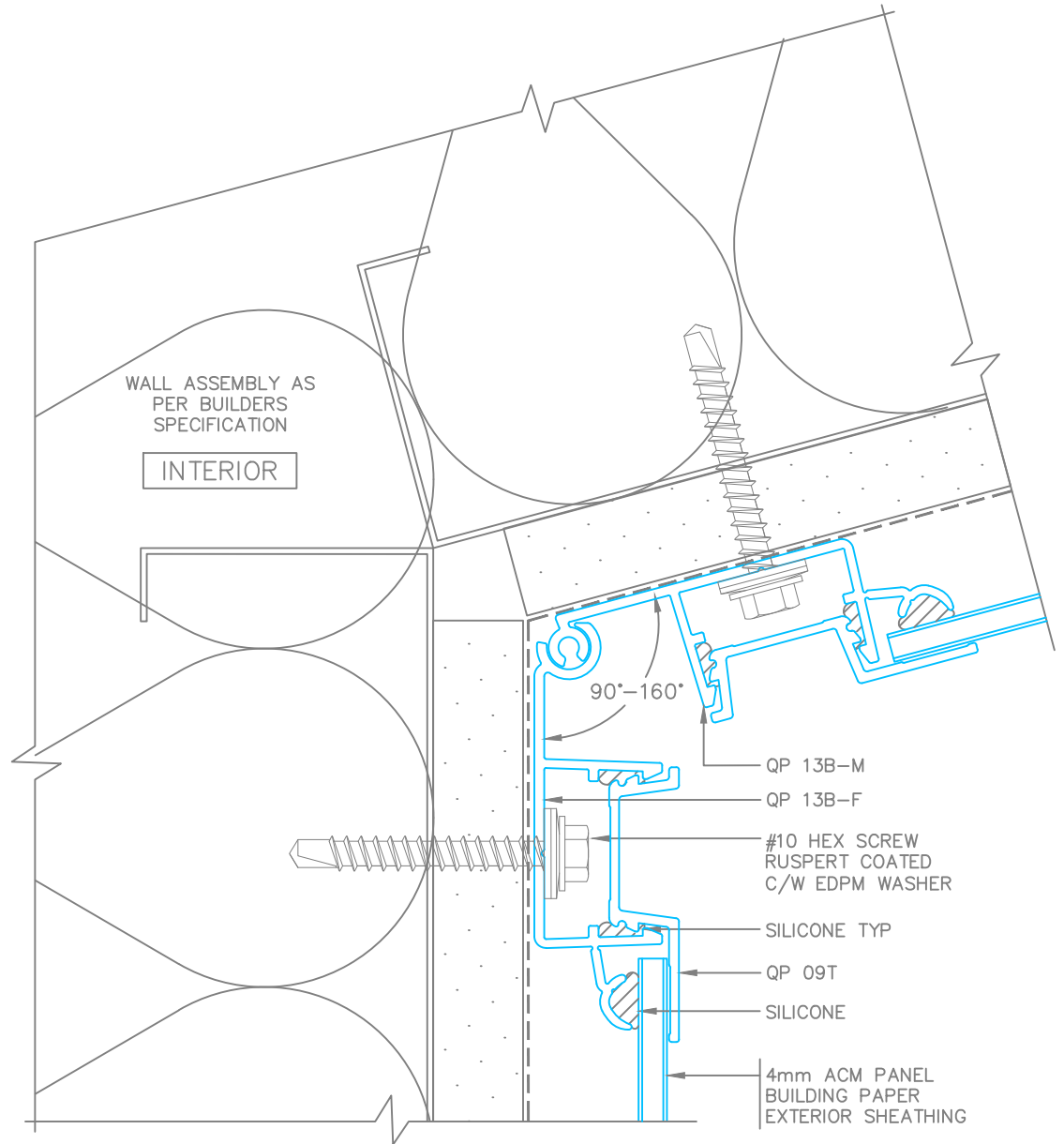
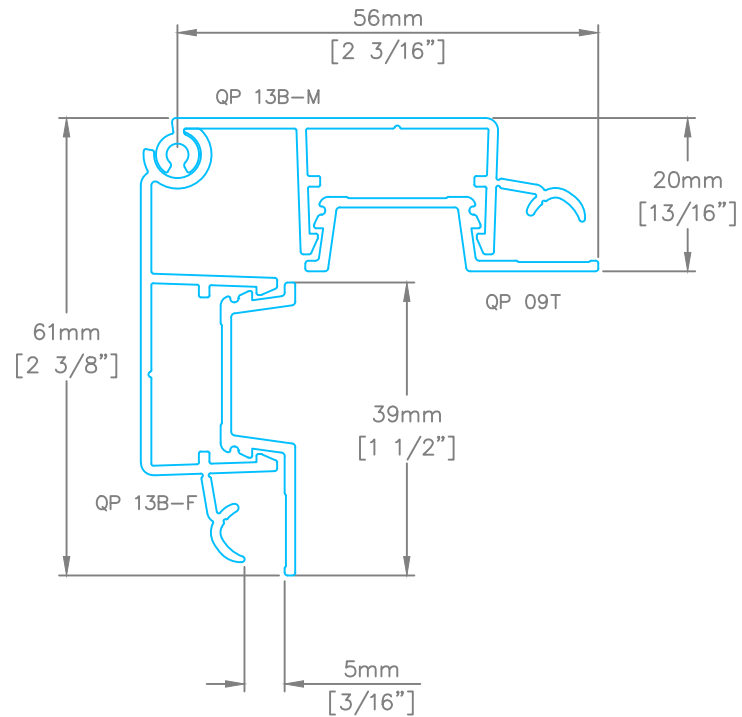
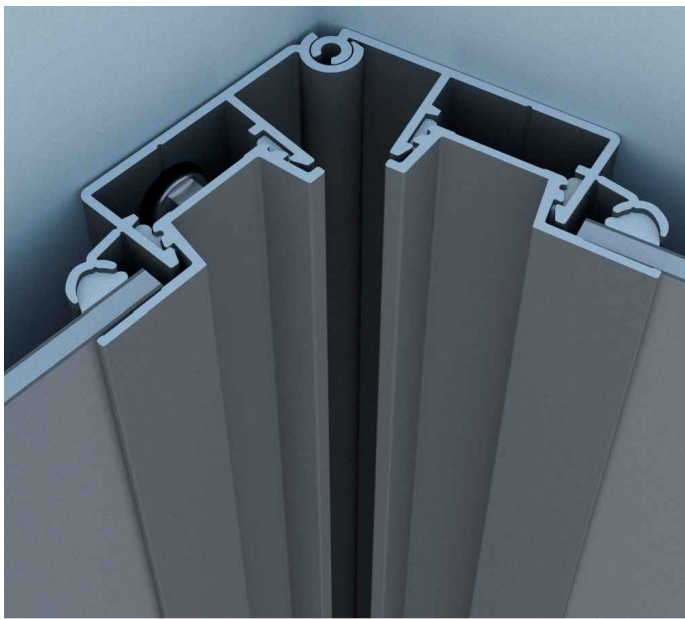
DESCRIPTION			
ABSOLUTE SOFFIT DETAIL			
 QuickPanel Systems	SCALE	NTS	DRAWING NUMBER
	DATE	APR2024	QP3.1b
	DRWN BY	HJ/DDG	



DESCRIPTION			
OUTSIDE CORNER DETAIL			
 QuickPanel Systems	SCALE	NTS	DRAWING NUMBER
	DATE	APR2024	QP3.2
	DRWN BY	HJ/DDG	



DESCRIPTION			
INSIDE CORNER DETAIL			
 QuickPanel Systems	SCALE	NTS	DRAWING NUMBER
	DATE	APR2024	QP3.3
	DRWN BY	HJ/DDG	



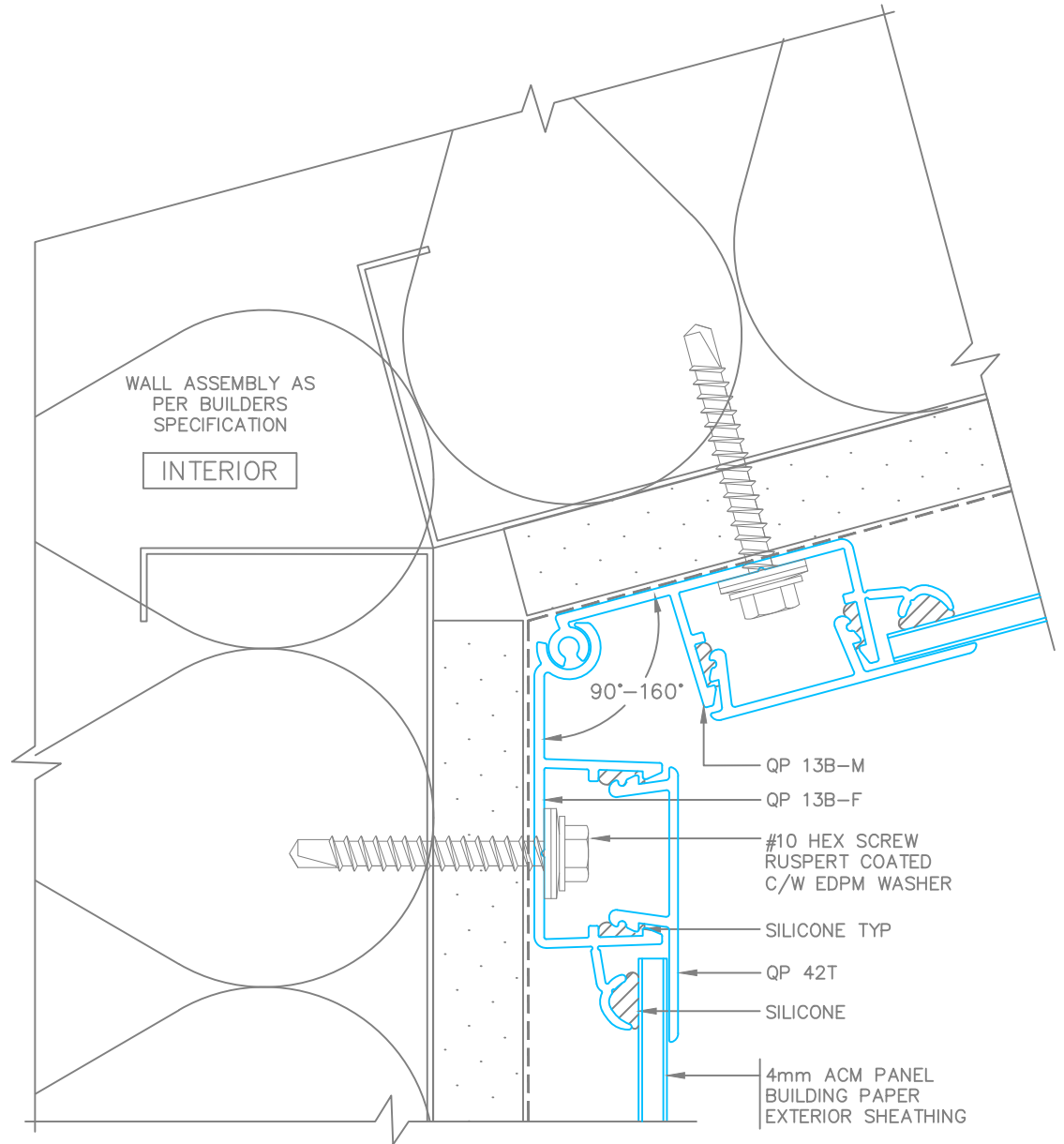
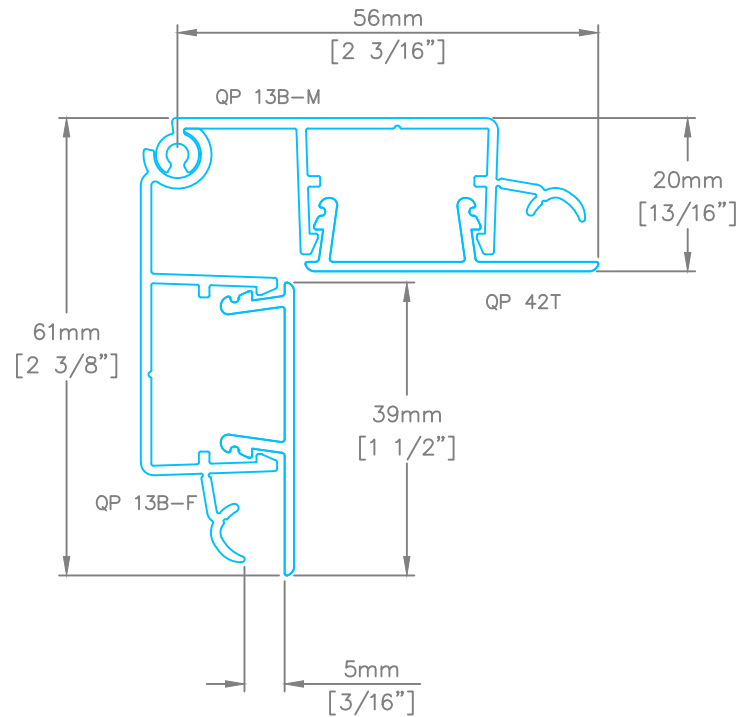
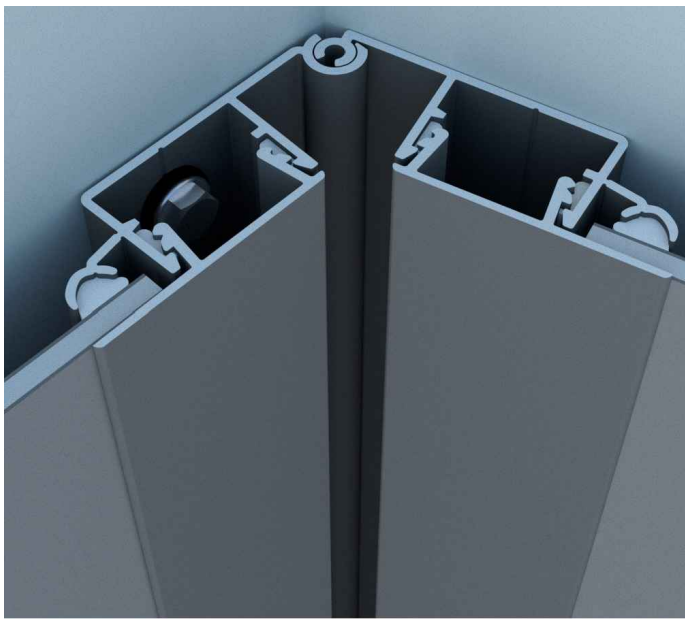
DESCRIPTION


REVEAL MULTI-ANGLE INSIDE CORNER DETAIL

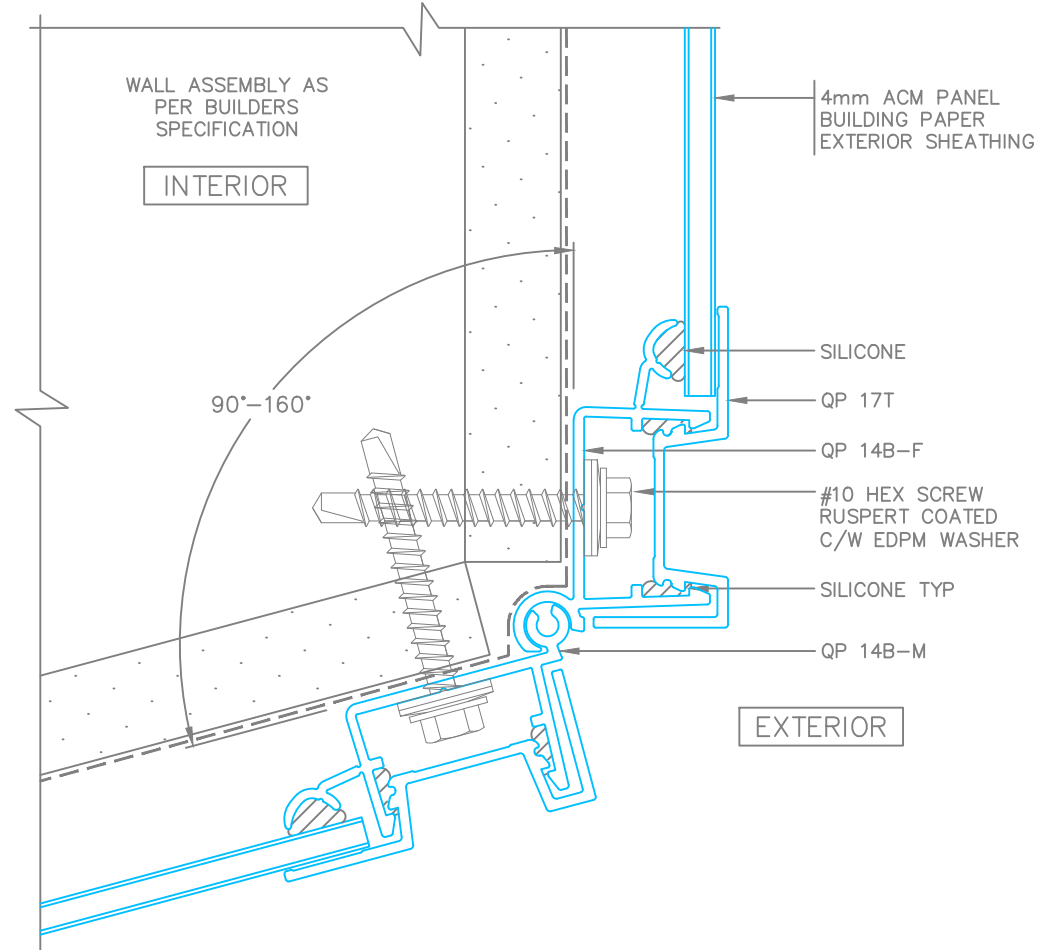
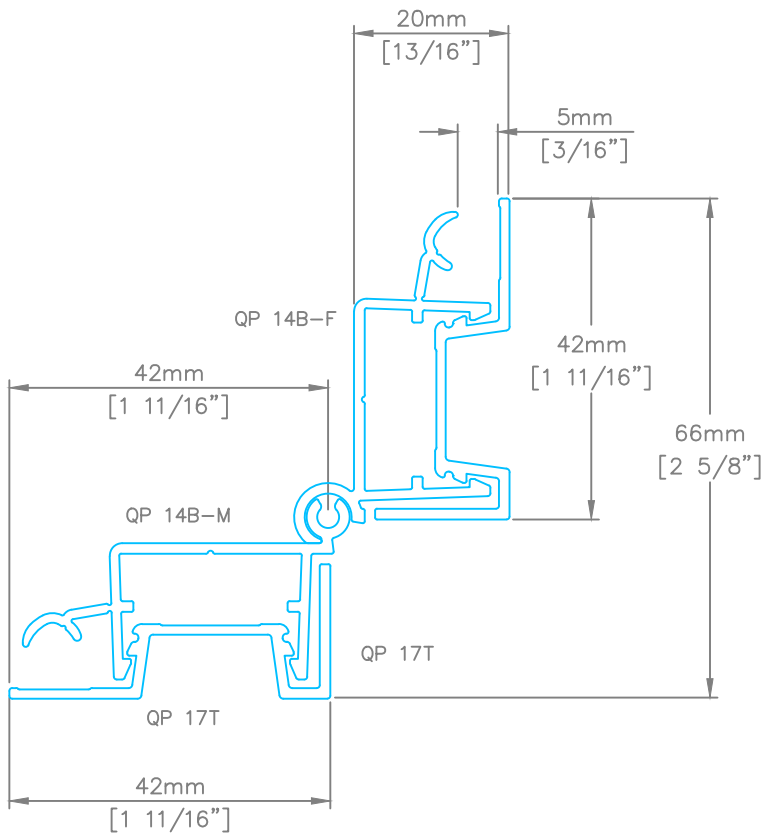
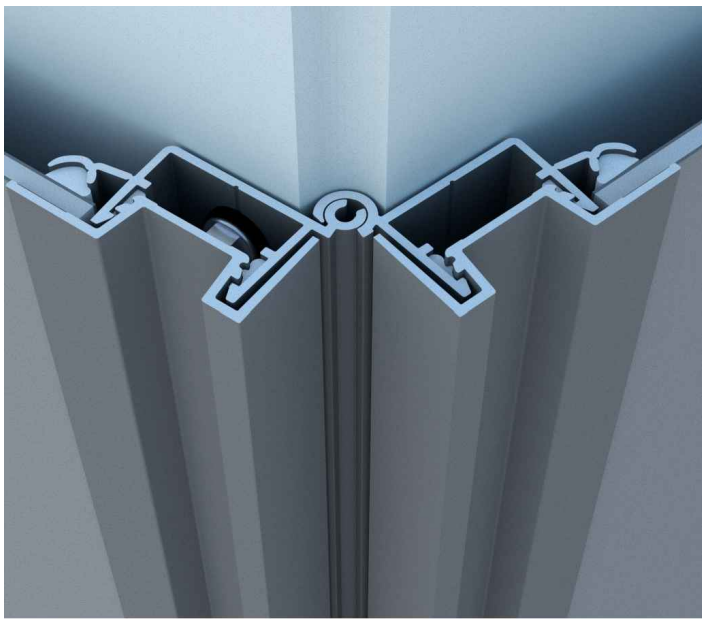


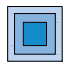
QuickPanel
Systems

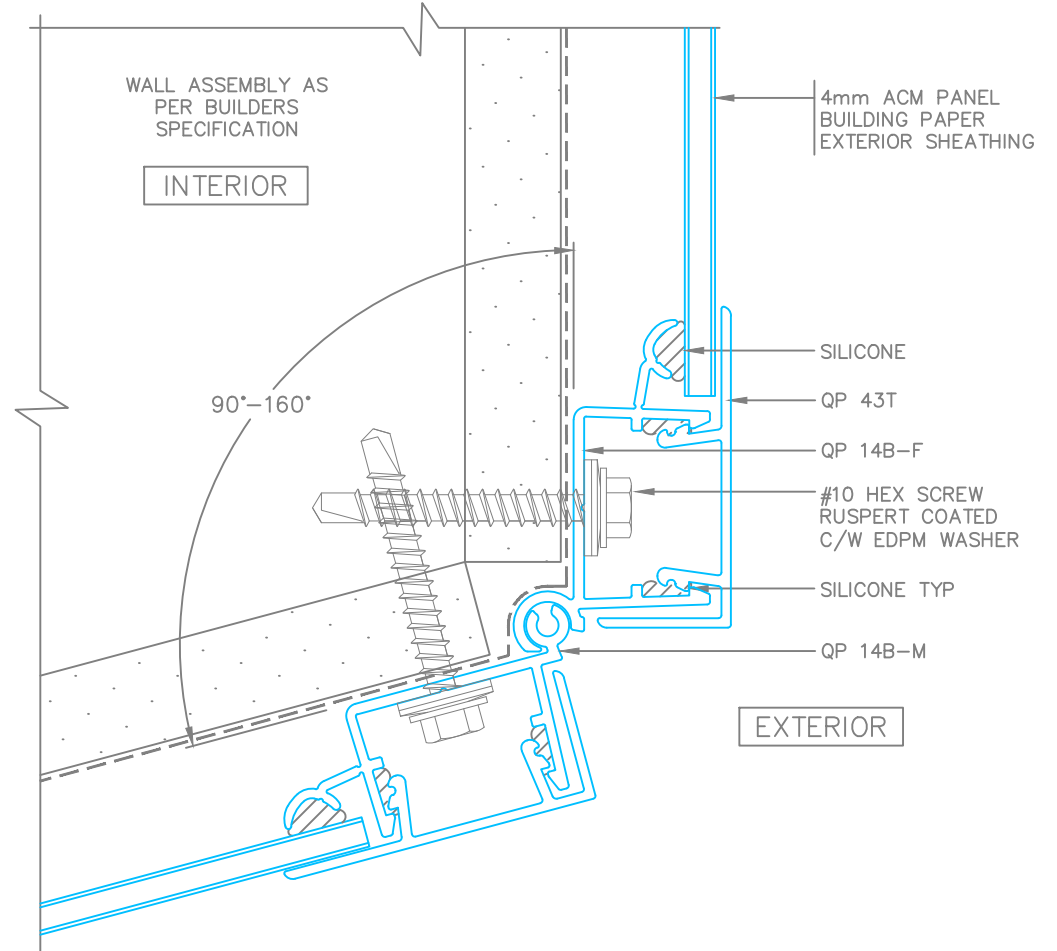
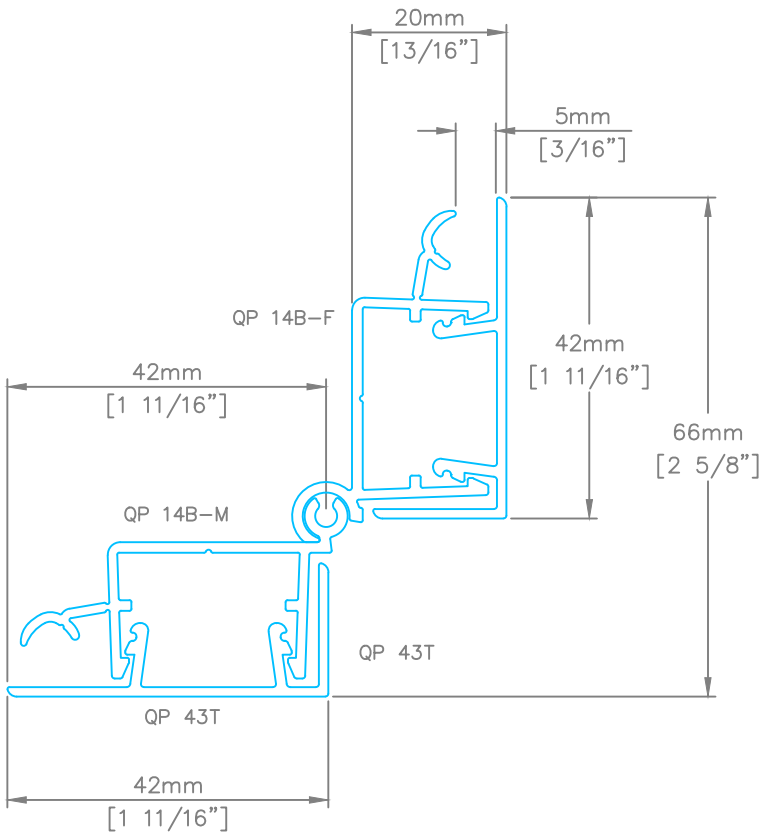
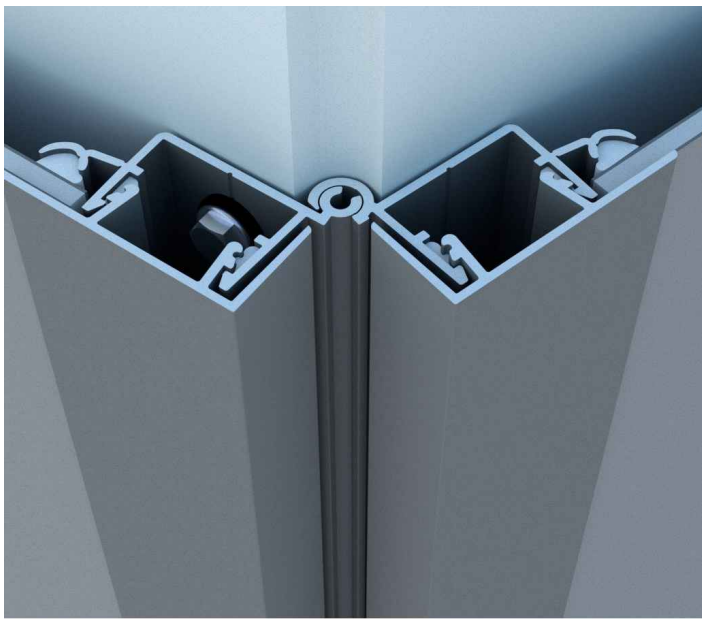
SCALE	NTS	DRAWING NUMBER
DATE	APR2024	QP3.4a
DRWN BY	HJ/DDG	

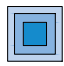


DESCRIPTION			
ABSOLUTELY MULTI-ANGLE INSIDE CORNER DETAIL			
	SCALE	NTS	DRAWING NUMBER
	DATE	APR2024	QP3.4b
	DRWN BY	HJ/DDG	



DESCRIPTION			
REVEAL MULTI-ANGLE OUTSIDE CORNER DETAIL			
 QuickPanel Systems	SCALE	NTS	DRAWING NUMBER
	DATE	APR2024	QP3.5a
	DRWN BY	HJ/DDG	



DESCRIPTION			
ABSOLUTE MULTI-ANGLE OUTSIDE CORNER DETAIL			
 QuickPanel Systems	SCALE	NTS	DRAWING NUMBER
	DATE	APR2024	QP3.5b
	DRWN BY	HJ/DDG	