
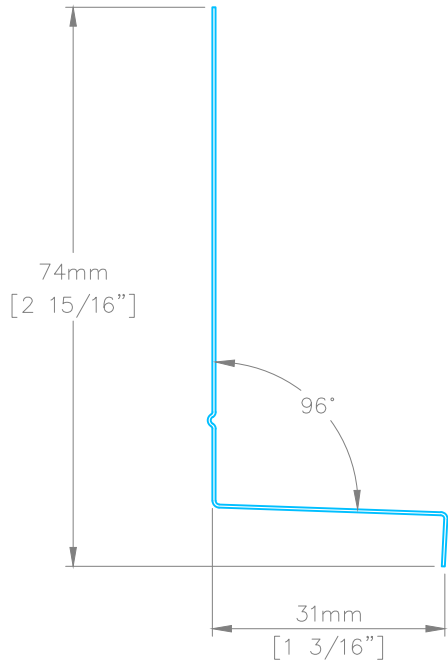


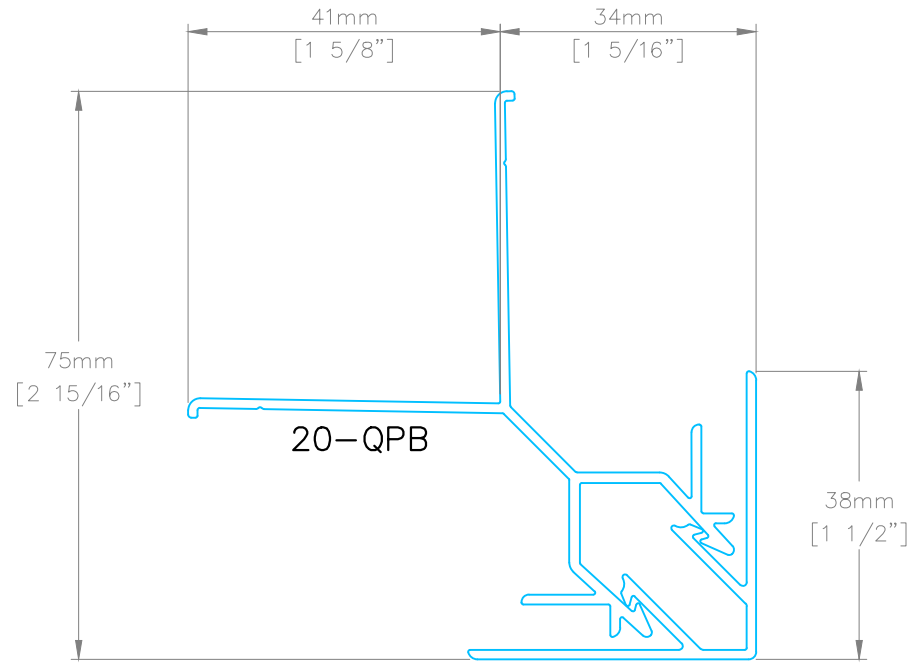
PAGE NUMBER	DRAWING NAME
QP0.0	REVEAL & STREAMLINE SERIES TITLE PAGE
QP0.1	10 & 20 SERIES
QP0.2	30 SERIES
QP0.3	40 SERIES
QP0.4	50 & 60 & 70 SERIES
QP0.5	90 SERIES
QP1.1	REVEAL PERIMETER STARTER DETAIL
QP1.2	ABSOLUTE PERIMETER STARTER DETAIL
QP1.3	REVEAL HORIZONTAL MAINBODY DETAIL
QP1.4	ABSOLUTE HORIZONTAL MAINBODY DETAIL
QP1.5	REVEAL VERTICAL MAINBODY DETAIL
QP1.6	ABSOLUTE VERTICAL MAINBODY DETAIL
QP1.7	REVEAL PARAPET TERMINATION DETAIL
QP1.8	ABSOLUTE PARAPET TERMINATION DETAIL
QP1.9	REVEAL SOFFIT TERMINATION DETAIL
QP1.10	ABSOLUTE SOFFIT TERMINATION DETAIL
QP1.11	REVEAL CORNER TERMINATION DETAIL
QP1.12	ABSOLUTE CORNER TERMINATION DETAIL
QP1.13	REVEAL VERTICAL TERMINATION DETAIL

QP1.14	ABSOLUTE VERTICAL TERMINATION DETAIL
QP2.1	REVEAL (PROJECTING) WINDOW HEAD DETAIL
QP2.2	ABSOLUTE (PROJECTING) WINDOW HEAD DETAIL
QP2.3	REVEAL (PROJECTING) WINDOW SILL DETAIL
QP2.4	ABSOLUTE (PROJECTING) WINDOW SILL DETAIL
QP2.5	REVEAL (PROJECTING) WINDOW JAMB DETAIL
QP2.6	ABSOLUTE (PROJECTING) WINDOW JAMB DETAIL
QP3.1	REVEAL SOFFIT DETAIL
QP3.2	ABSOLUTE SOFFIT DETAIL
QP3.3	REVEAL 91-QPS SOFFIT DETAIL
QP3.4	OUTSIDE CORNER DETAIL
QP3.5	INSIDE CORNER DETAIL
QP3.6	REVEAL MULTI-ANGLE INSIDE CORNER DETAIL
QP3.7	ABSOLUTE MULTI-ANGLE INSIDE CORNER DETAIL
QP3.8	REVEAL MULTI-ANGLE OUTSIDE CORNER DETAIL
QP3.9	ABSOLUTE MULTI-ANGLE OUTSIDE CORNER DETAIL
QP4.1	GENERAL J TRIM DETAIL
QP4.2	PANEL STIFFENER DETAIL
QP4.3	1-PIECE J TERMINATION DETAIL

DESCRIPTION			
REVEAL & STREAMLINE SERIES TITLE PAGE			
	SCALE	NTS	DRAWING NUMBER
	DATE	MAR2026	QP0.0
	DRWN BY	DLR/RD	

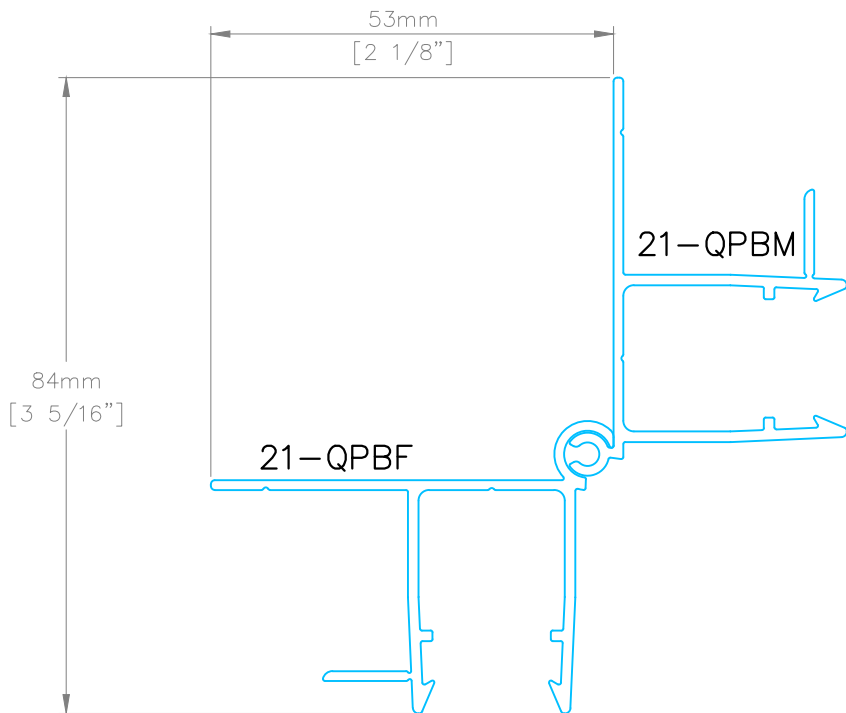


10-QPF



20-QPB


20-QPT

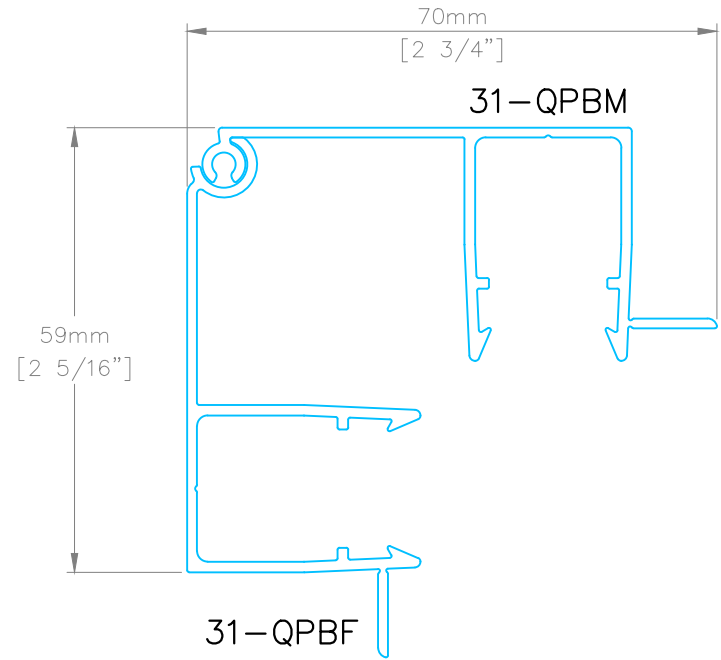
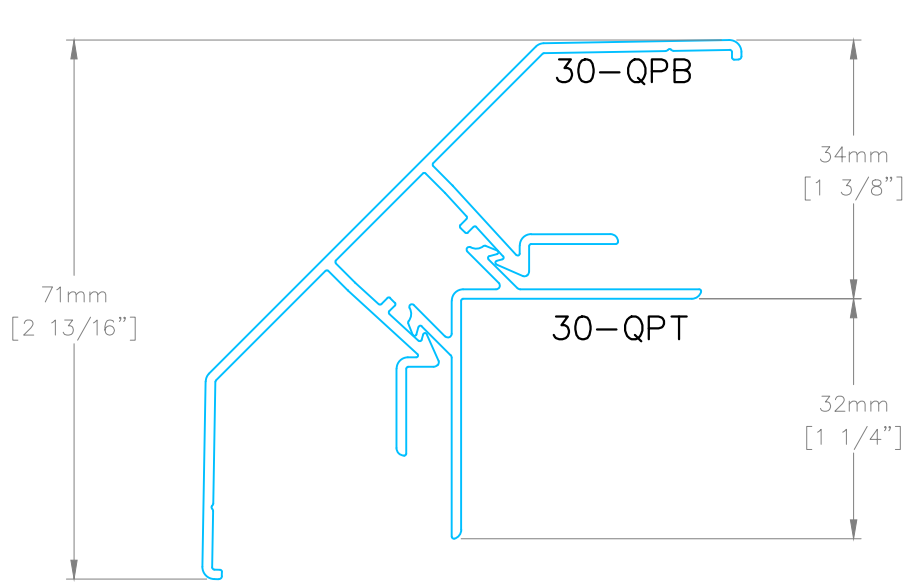


21-QPBM

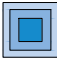
21-QPBF

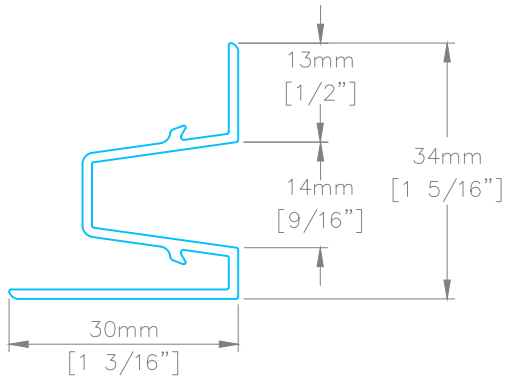
ALL TOP CAPS APPROX. 1.25mm [.050"] ~16 ga
 ALL BACK PLATES APPROX. 1.30mm [.049"] ~16 ga

DESCRIPTION			
10 & 20 SERIES			
	SCALE	NTS	DRAWING NUMBER
	DATE	MAR2026	QP0.1
	DRWN BY	DLR/RD	

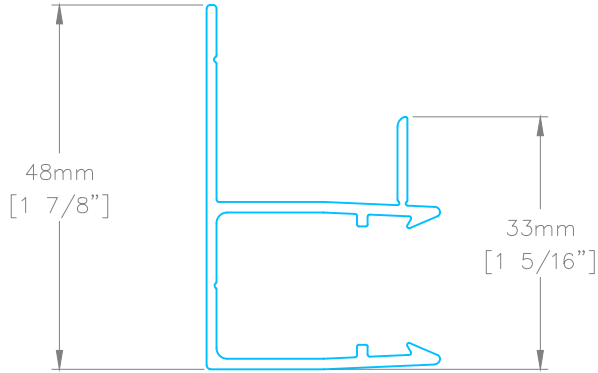


ALL TOP CAPS APPROX. 1.25mm [.050"] ~16 ga
 ALL BACK PLATES APPROX. 1.30mm [.049"] ~16 ga

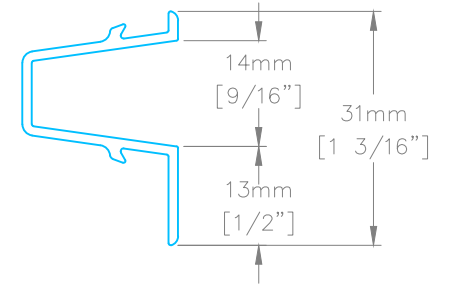
DESCRIPTION			
30 SERIES			
 QuickPanel Systems	SCALE	NTS	DRAWING NUMBER
	DATE	MAR2026	QP0.2
	DRWN BY	DLR/RD	



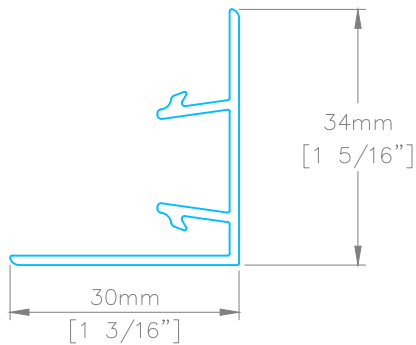
40-QPT-R



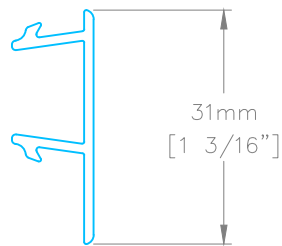
40-QPB



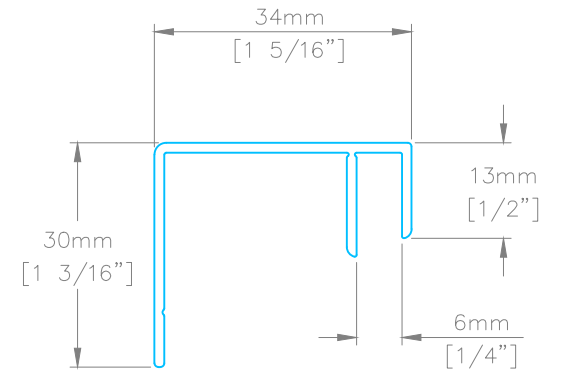
41-QPT-R



40-QPT-S




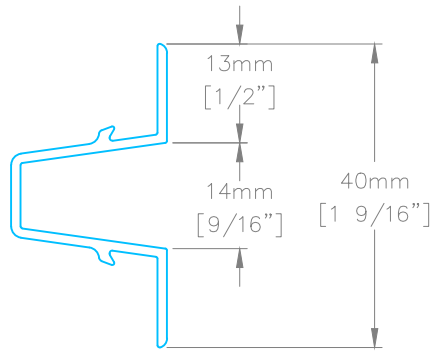
41-QPT-S



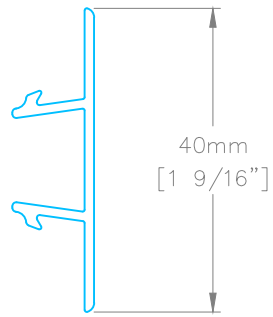
42-QPS

ALL TOP CAPS APPROX. 1.25mm [.050\"] ~16 ga
 ALL BACK PLATES APPROX. 1.30mm [.049\"] ~16 ga

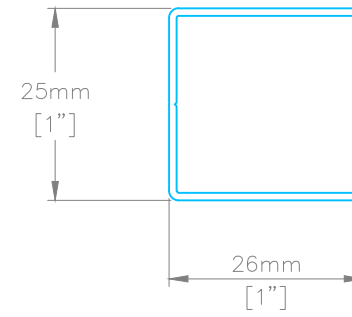
DESCRIPTION			
40 SERIES			
	SCALE	NTS	DRAWING NUMBER
	DATE	MAR2026	QPO.3
	DRWN BY	DLR/RD	



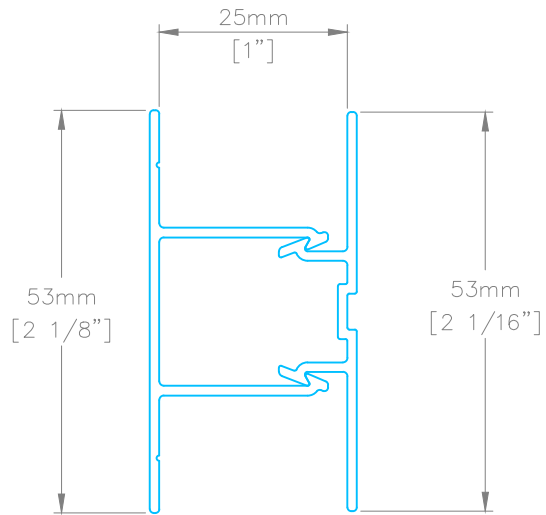
50-QPT-R



50-QPT-S

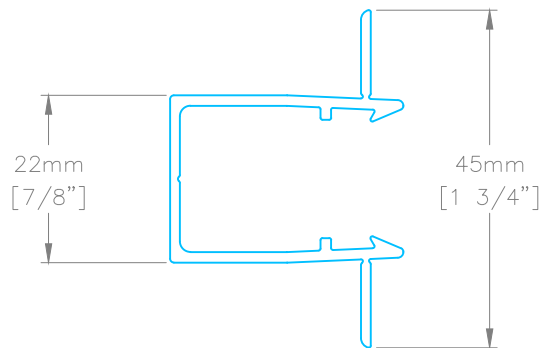


60-QPS (PVC)




61-QPB

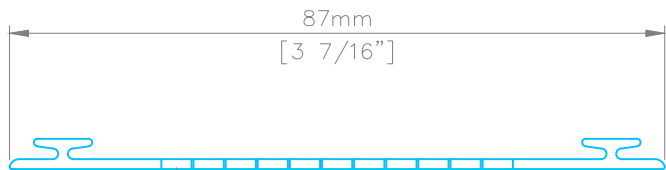
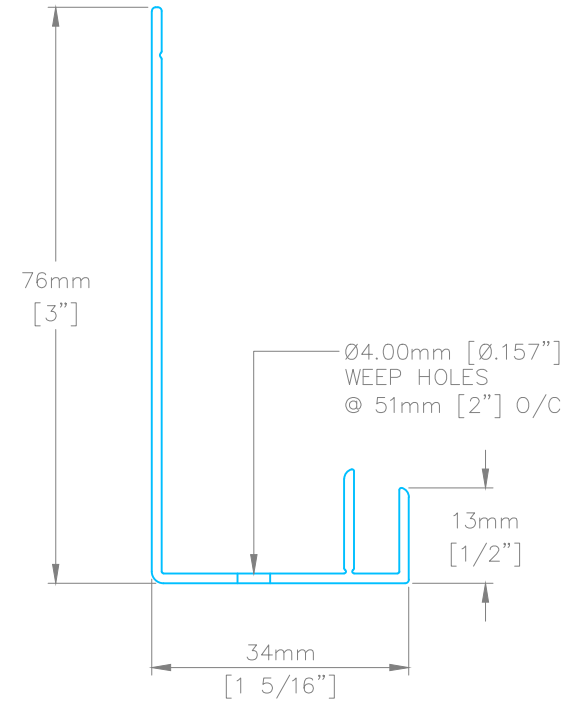
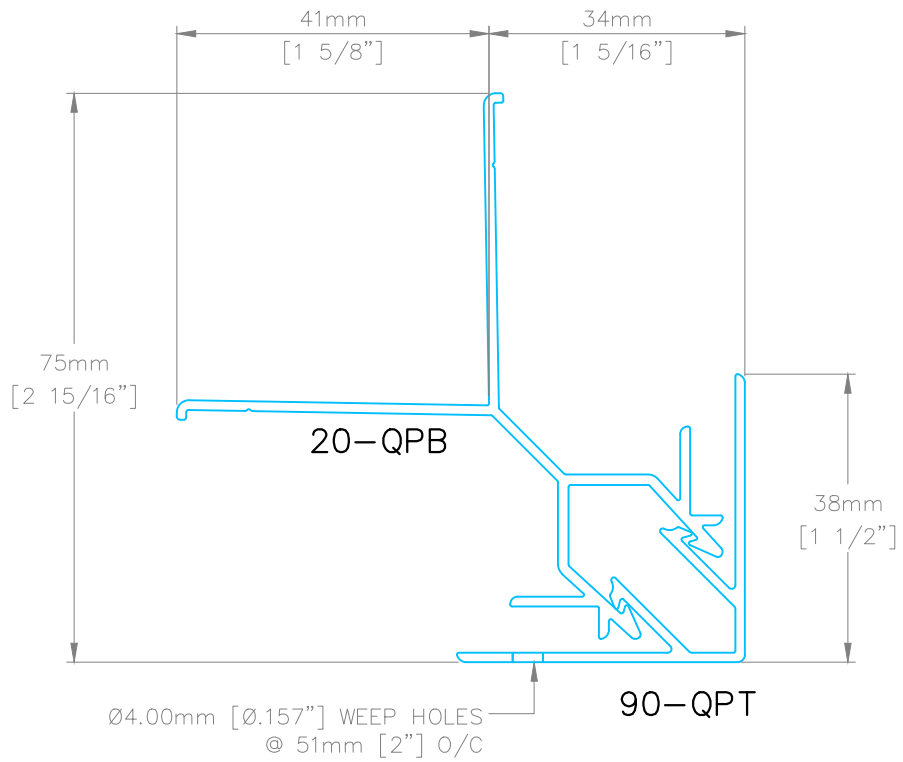
61-QPT



70-QPB

ALL TOP CAPS APPROX. 1.25mm [.050\"] ~16 ga
 ALL BACK PLATES APPROX. 1.30mm [.049\"] ~16 ga

DESCRIPTION			
50 & 60 & 70 SERIES			
	SCALE	NTS	DRAWING NUMBER
	DATE	MAR2025	QPO.4
	DRWN BY	DLR/RD	



PERFORATIONS

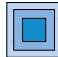
7.62 in²/ LIN FT

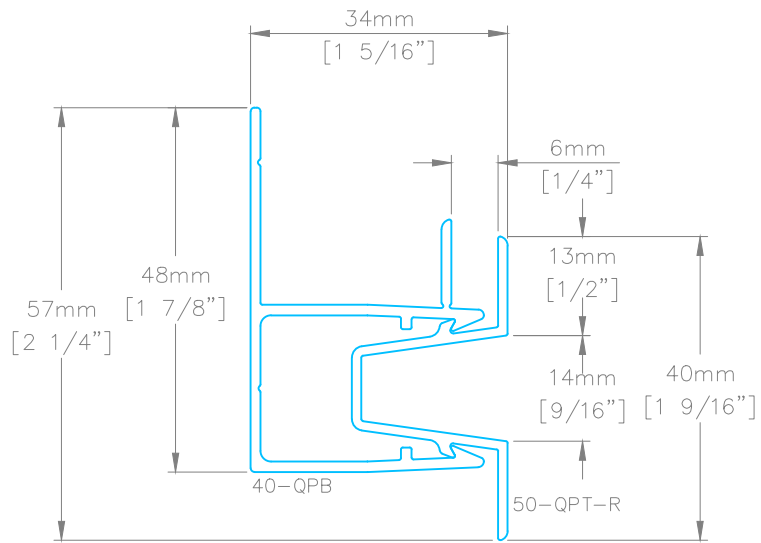
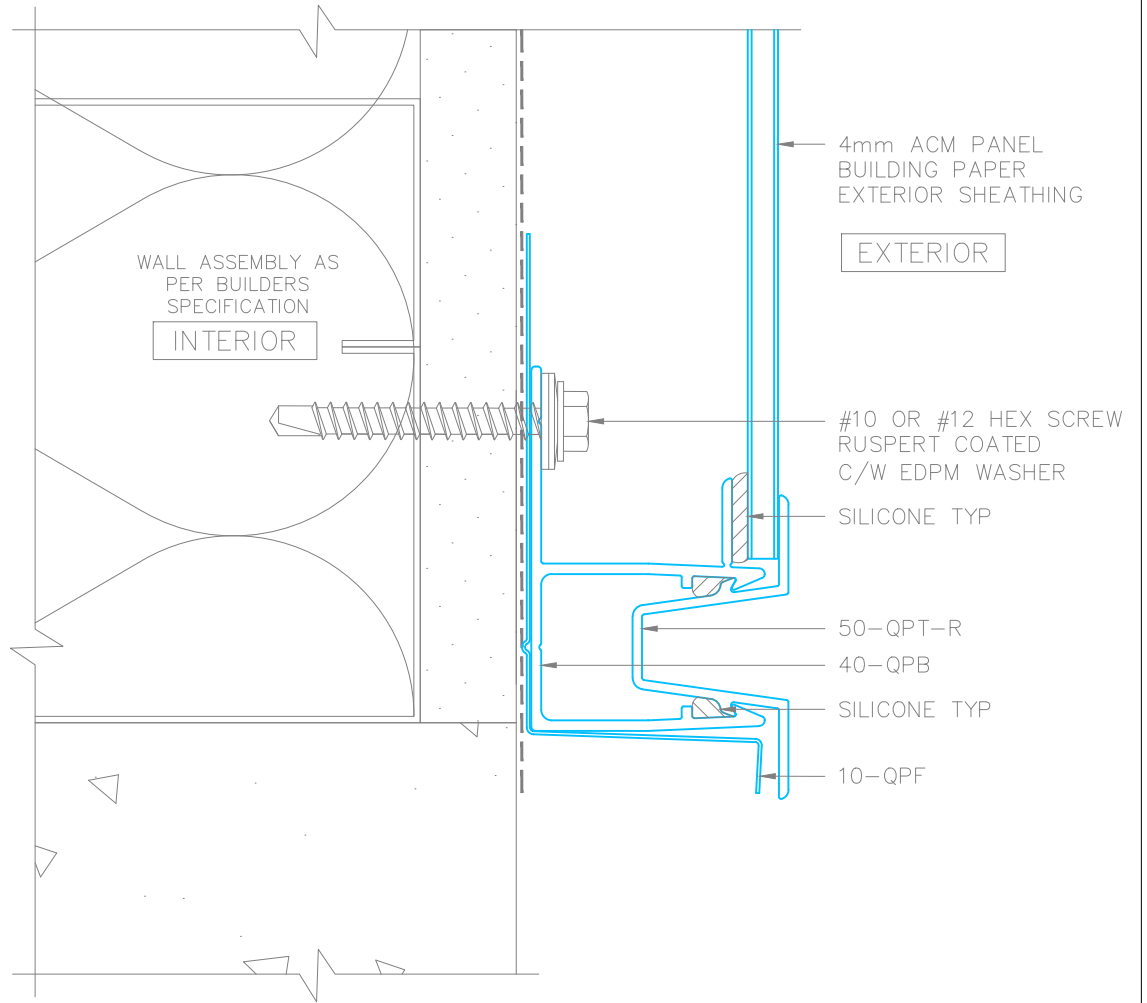
162.5 cm²/ LIN m

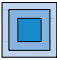
NET FREE AIR SPACE

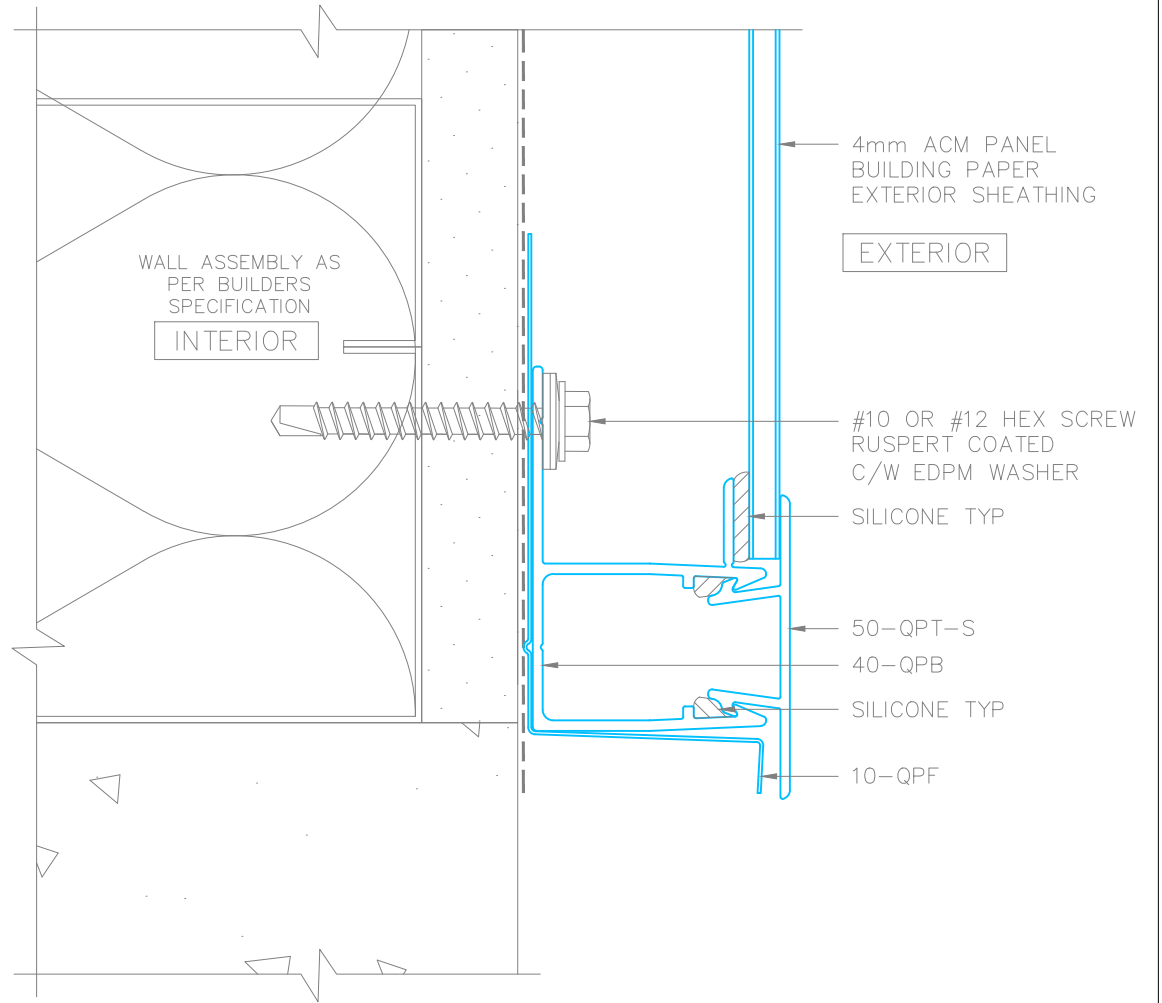
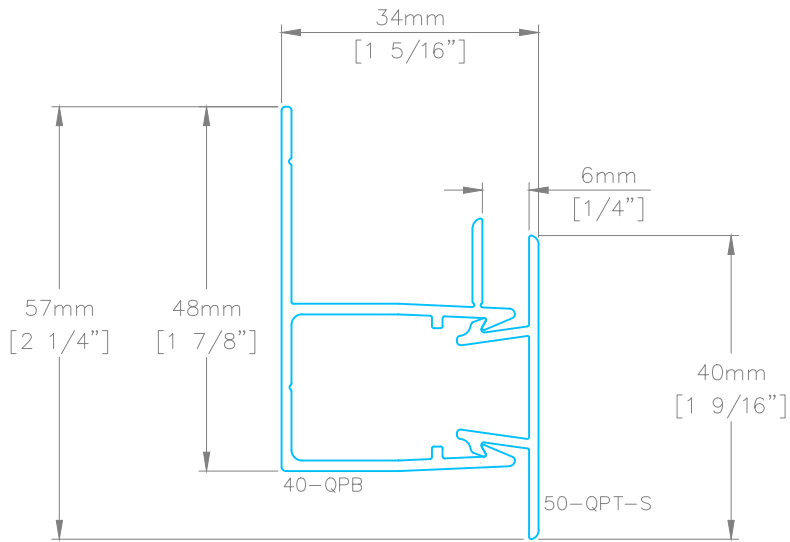
ALL TOP CAPS APPROX. 1.25mm [.050"] ~16 ga

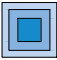
ALL BACK PLATES APPROX. 1.30mm [.049"] ~16 ga

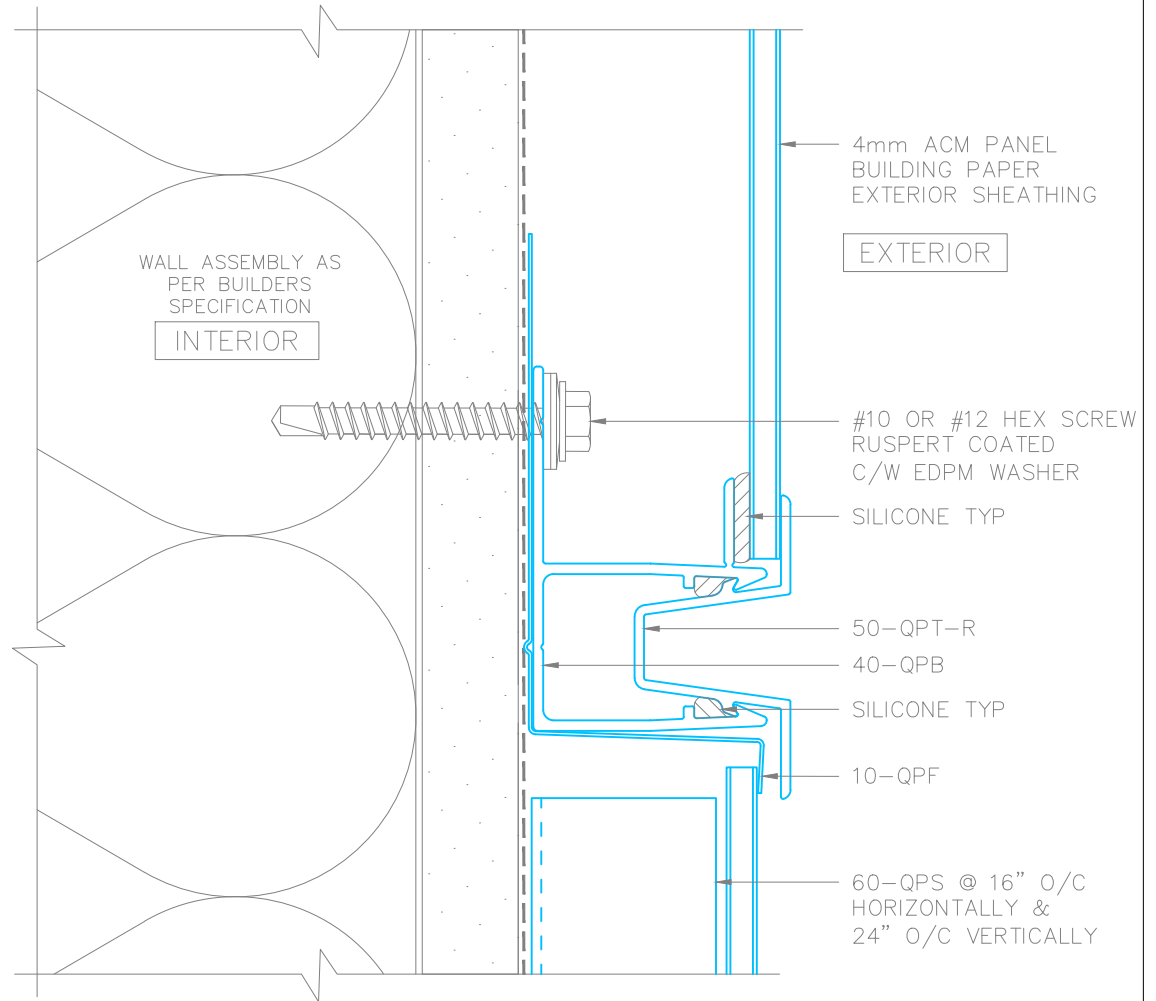
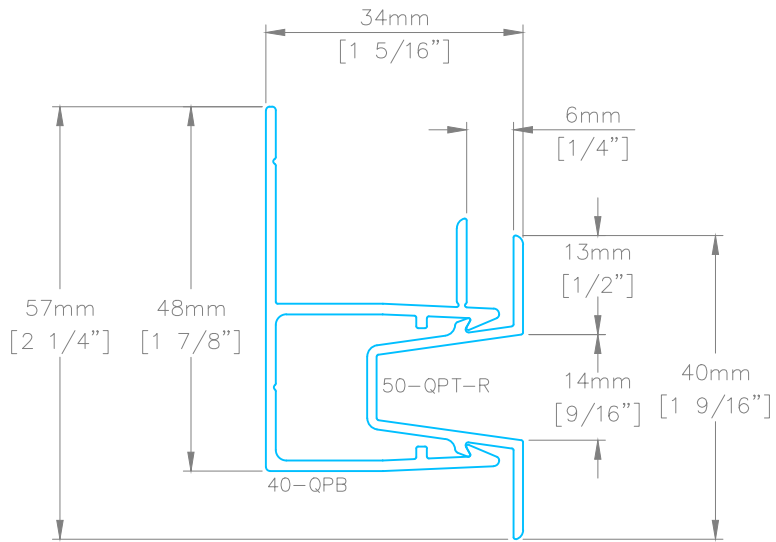
DESCRIPTION			
90 SERIES			
 QuickPanel Systems	SCALE	NTS	DRAWING NUMBER
	DATE	MAR2025	QP0.5
	DRWN BY	DLR/RD	

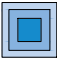


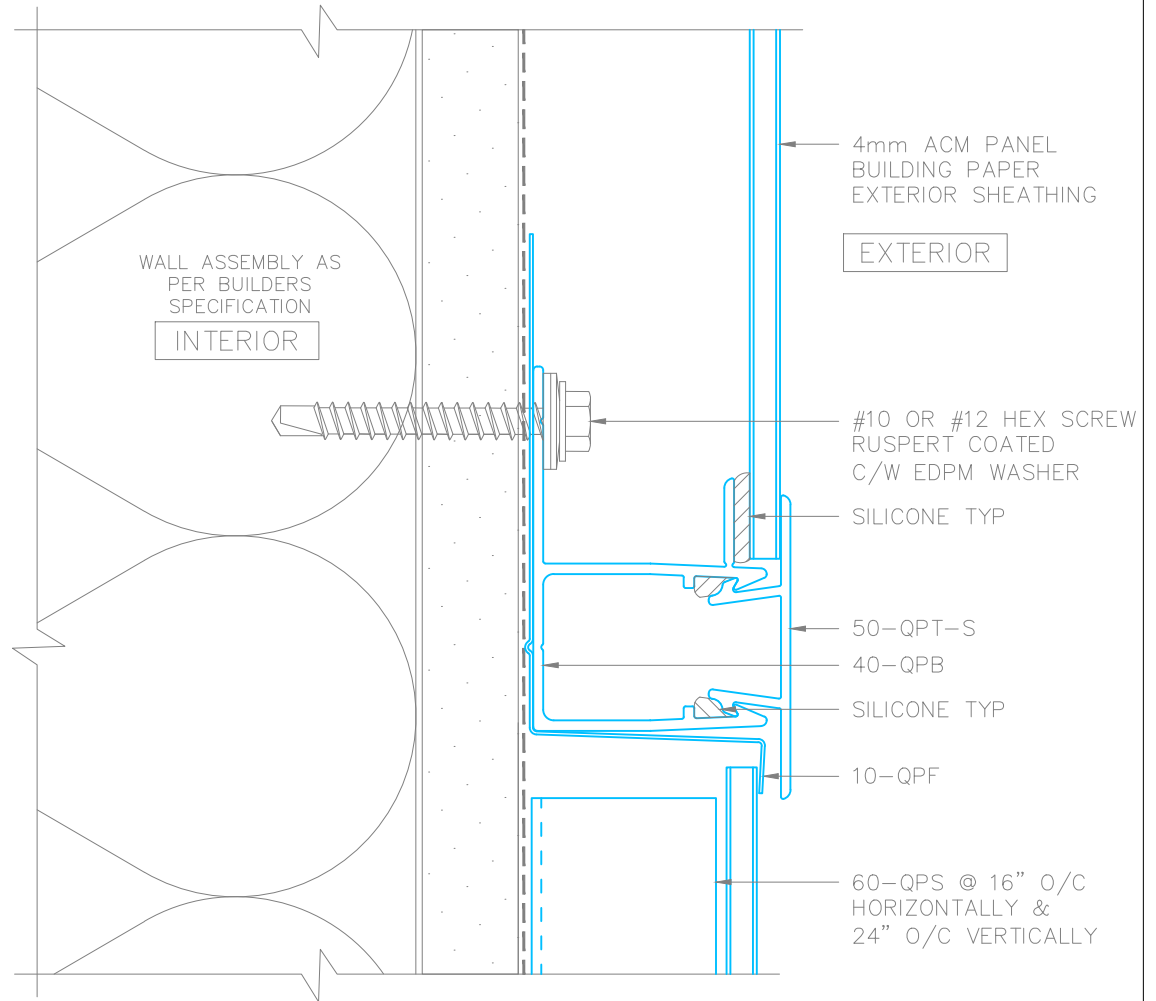
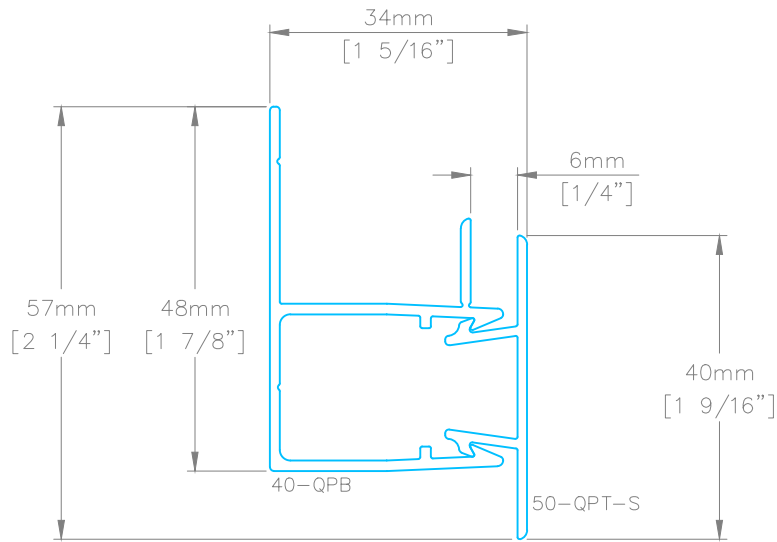
DESCRIPTION			
REVEAL PERIMETER STARTER DETAIL			
 QuickPanel Systems	SCALE	NTS	DRAWING NUMBER
	DATE	MAR2026	QP1.1
	DRWN BY	DLR/RD	

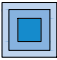


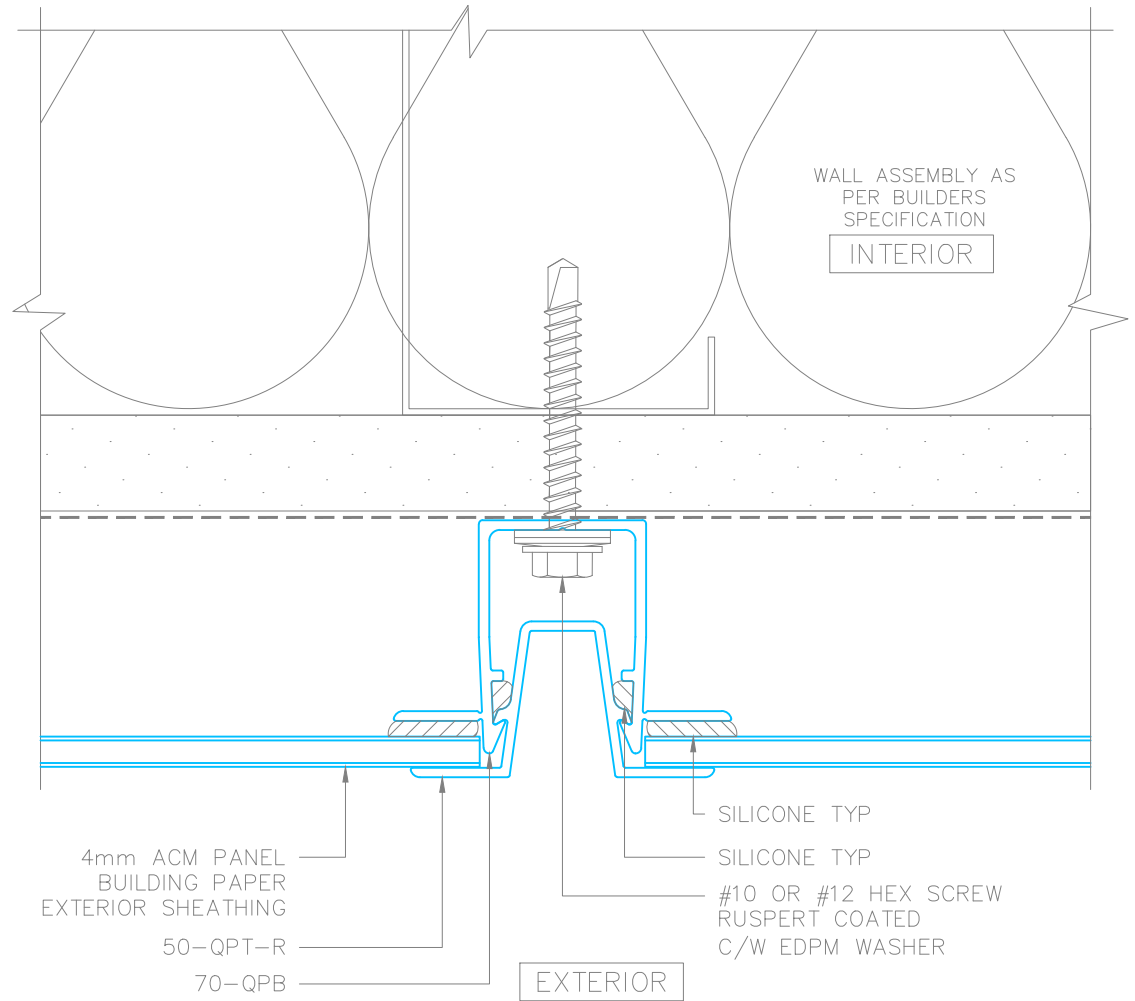
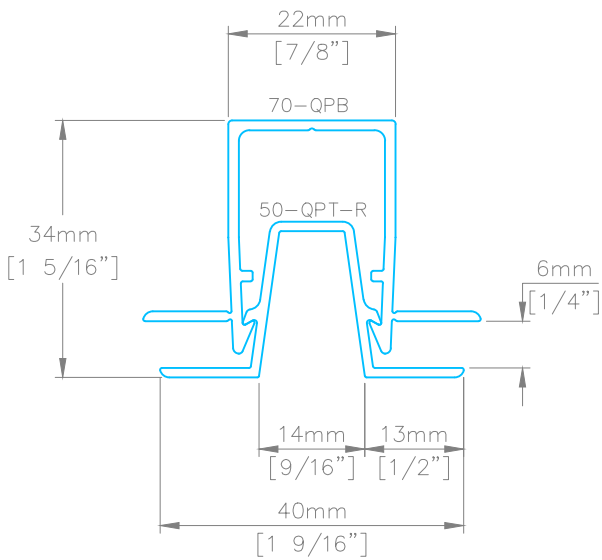
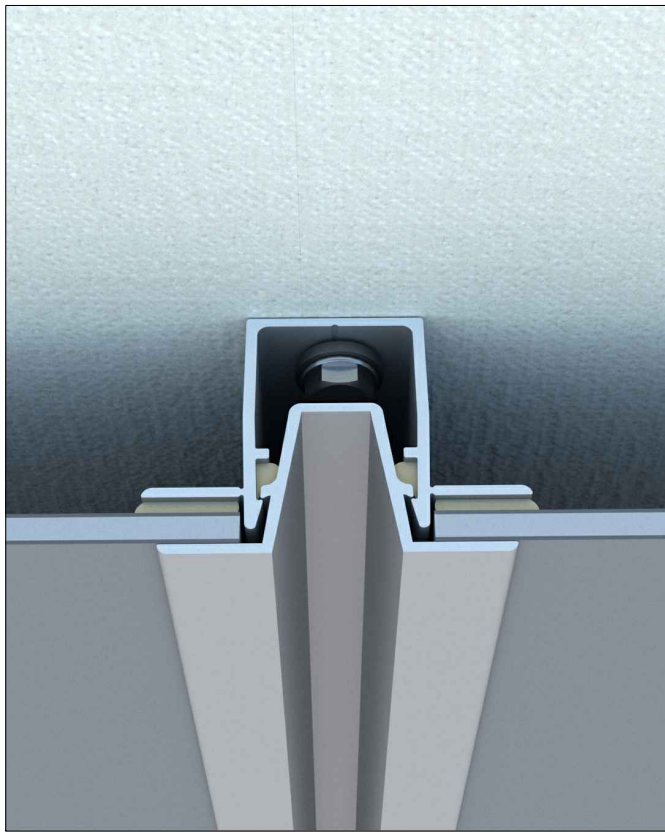
DESCRIPTION			
ABSOLUTE PERIMETER STARTER DETAIL			
 QuickPanel Systems	SCALE	NTS	DRAWING NUMBER
	DATE	MAR2026	QP1.2
	DRWN BY	DLR/RD	




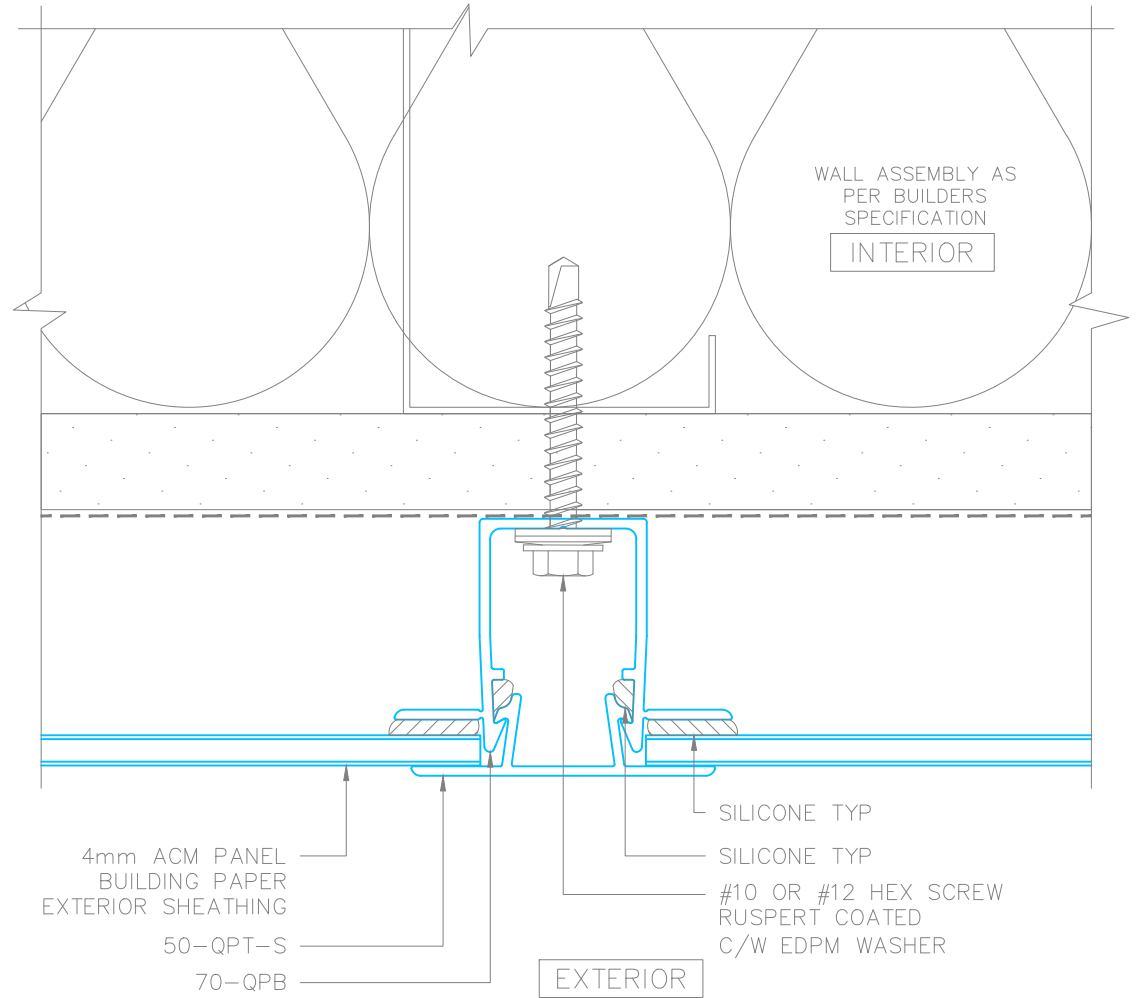
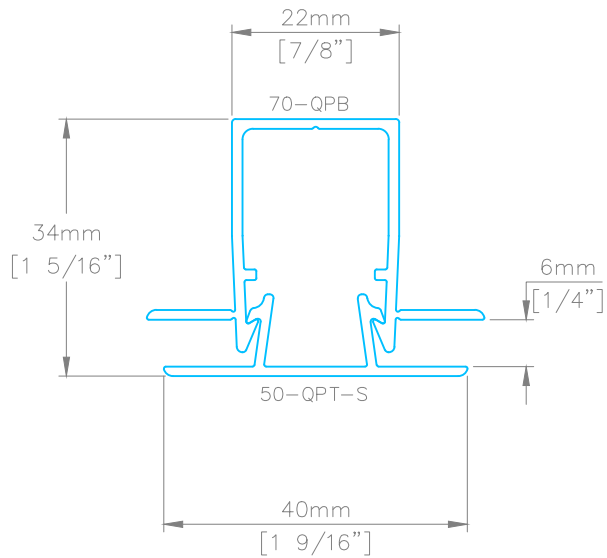
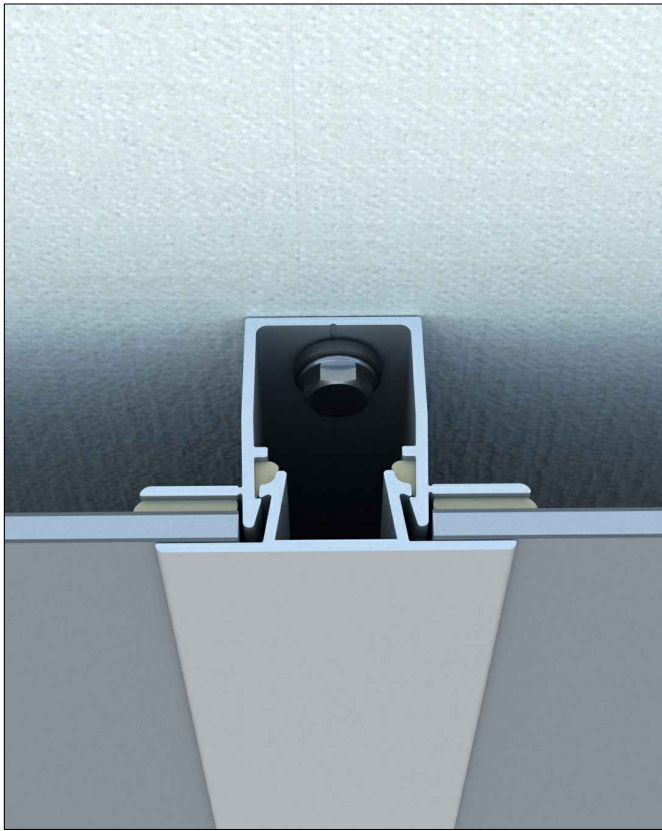
DESCRIPTION			
REVEAL HORIZONTAL MAINBODY DETAIL			
 QuickPanel Systems	SCALE	NTS	DRAWING NUMBER
	DATE	MAR2026	QP1.3
	DRWN BY	DLR/RD	

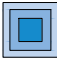


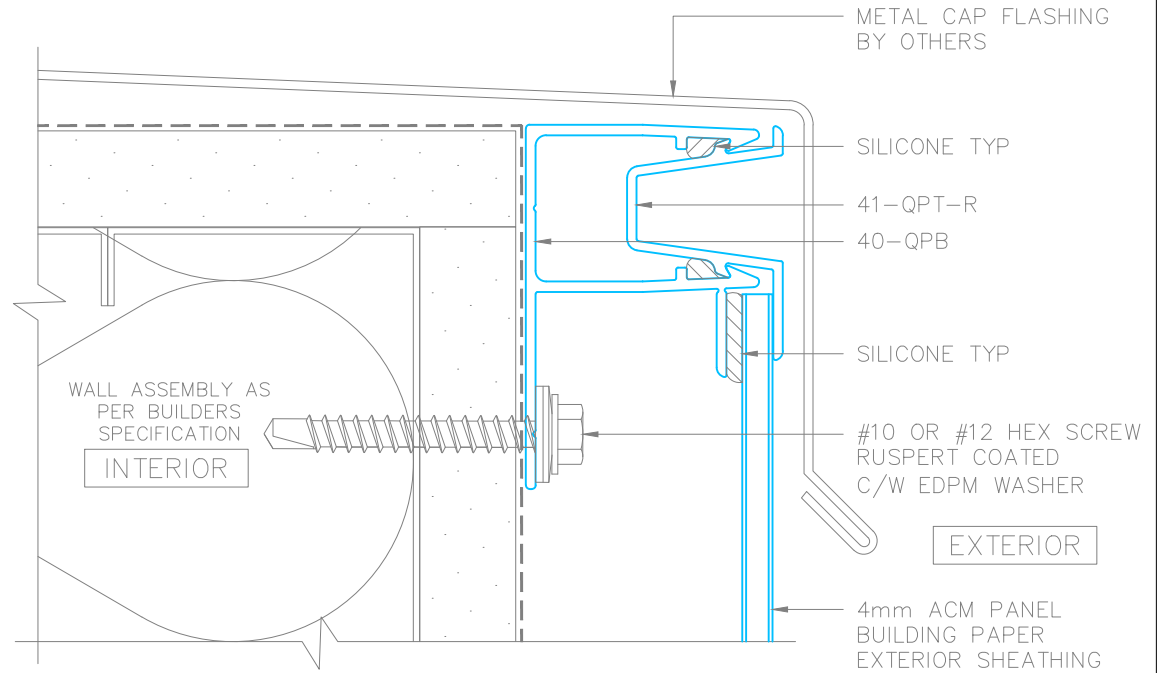
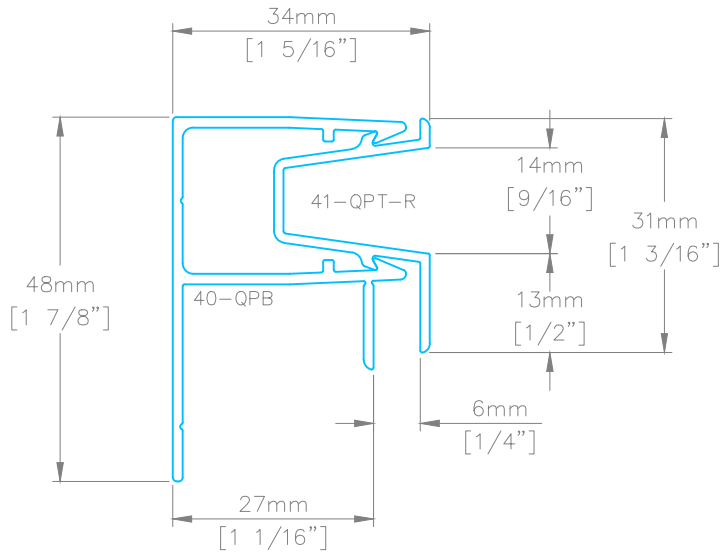
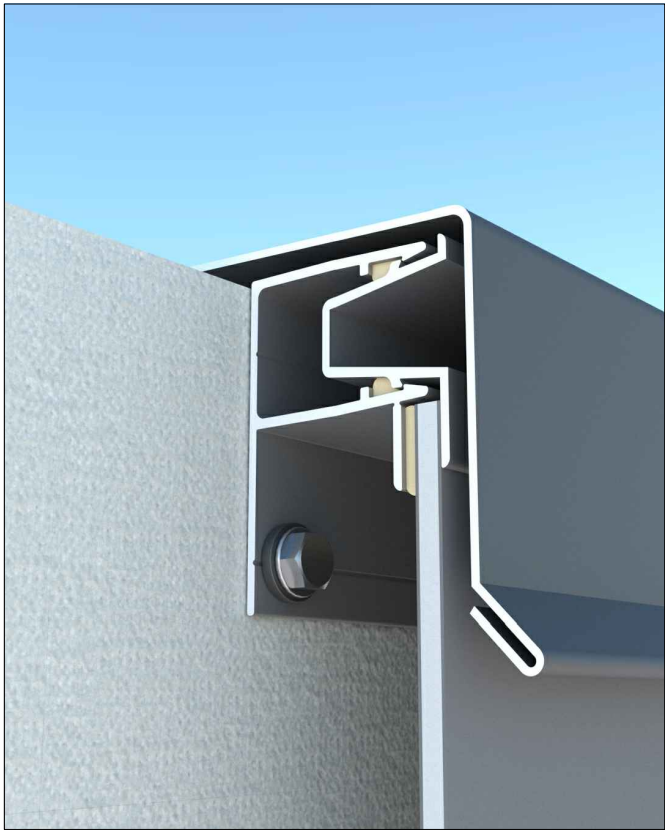
DESCRIPTION			
ABSOLUTE HORIZONTAL MAINBODY DETAIL			
 QuickPanel Systems	SCALE	NTS	DRAWING NUMBER
	DATE	MAR2026	QP1.4
	DRWN BY	DLR/RD	

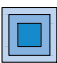


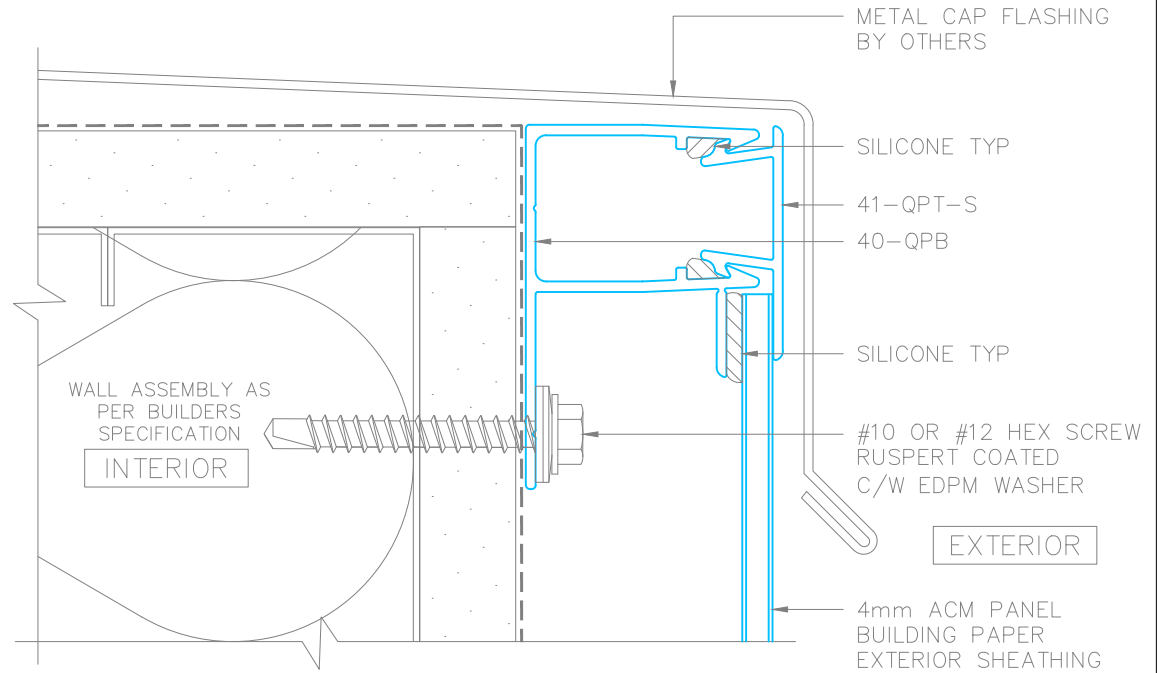
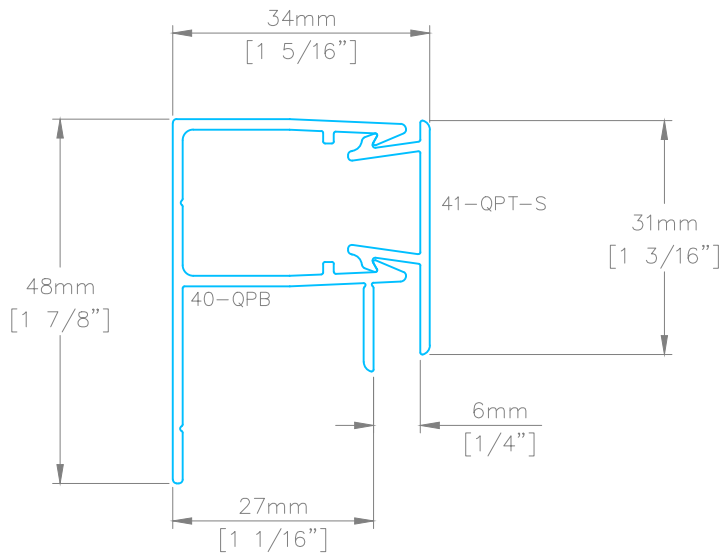
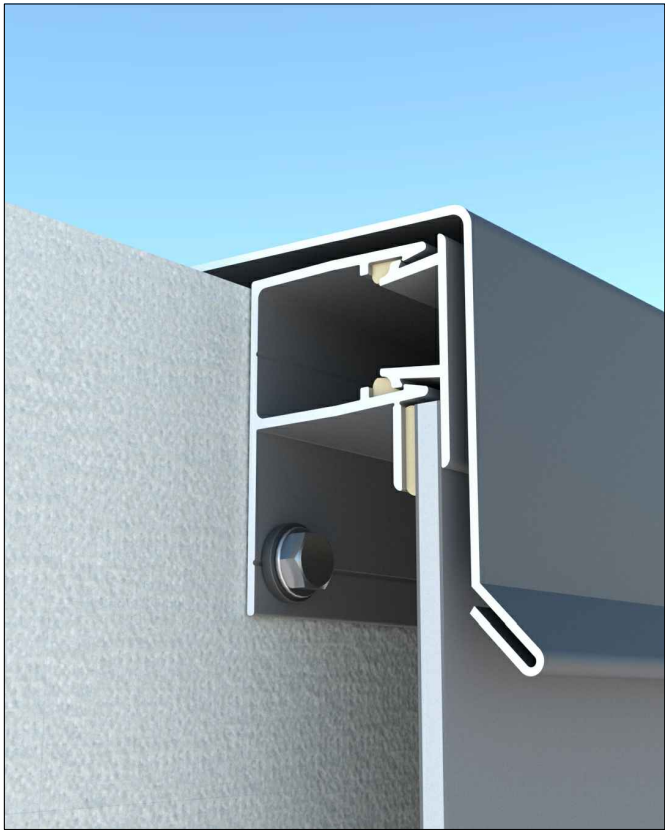
DESCRIPTION			
REVEAL VERTICAL MAINBODY DETAIL			
 QuickPanel Systems	SCALE	NTS	DRAWING NUMBER
	DATE	MAR2026	QP1.5
	DRWN BY	DLR/RD	

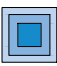


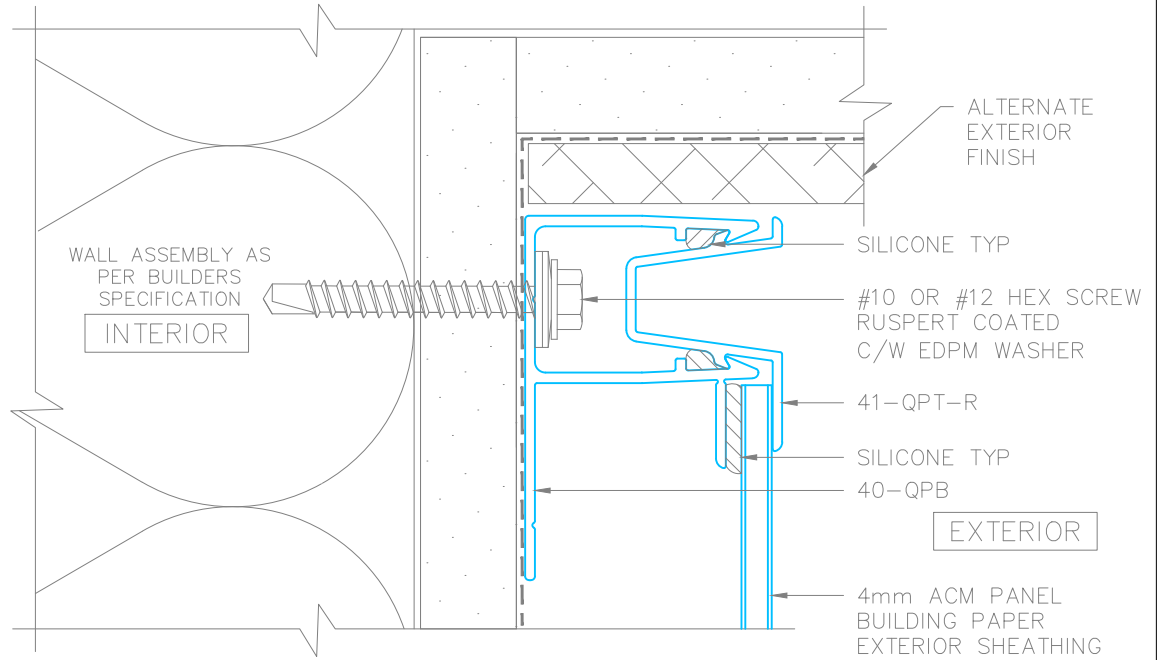
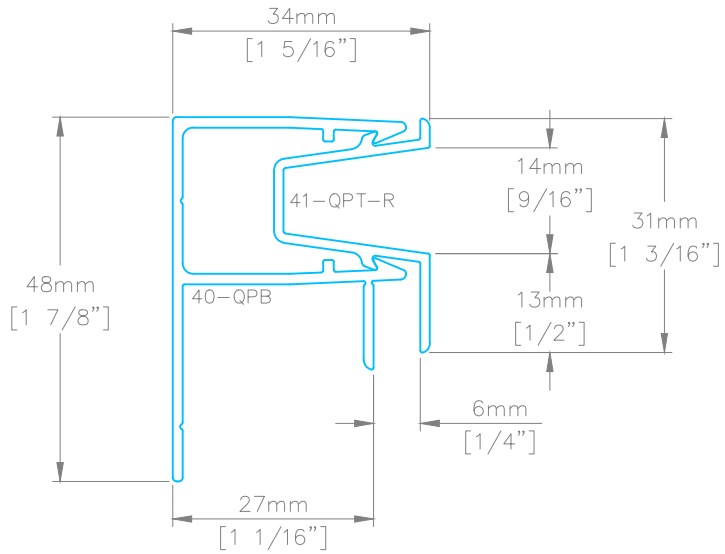
DESCRIPTION			
ABSOLUTE VERTICAL MAINBODY DETAIL			
 QuickPanel Systems	SCALE	NTS	DRAWING NUMBER
	DATE	MAR2026	QP1.6
	DRWN BY	DLR/RD	




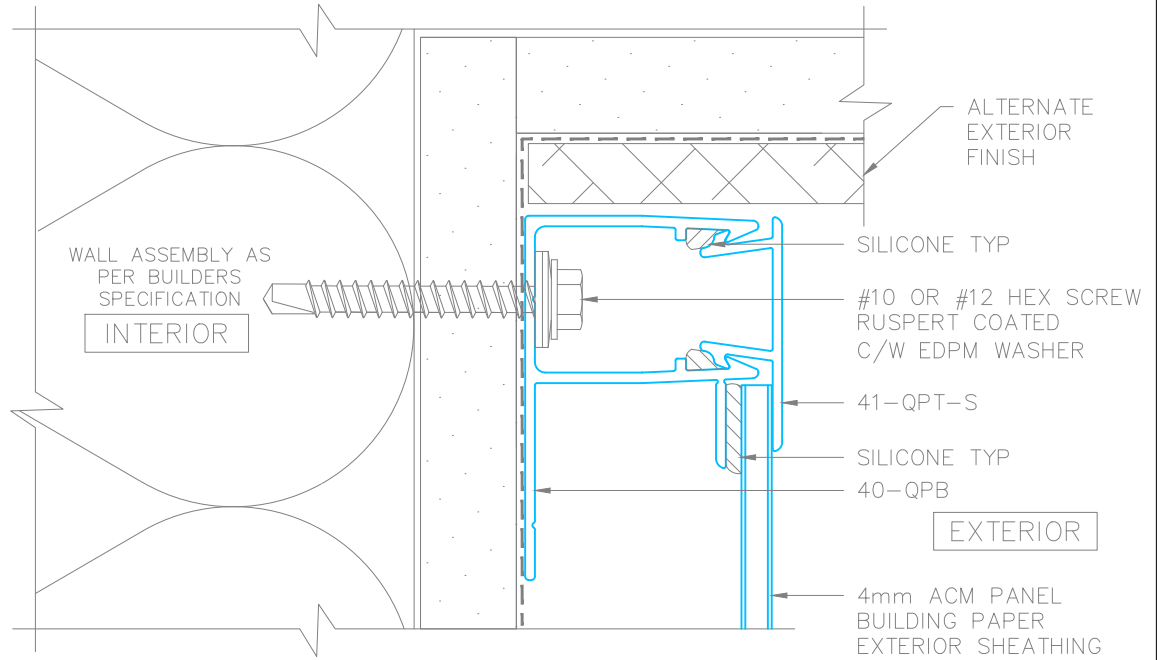
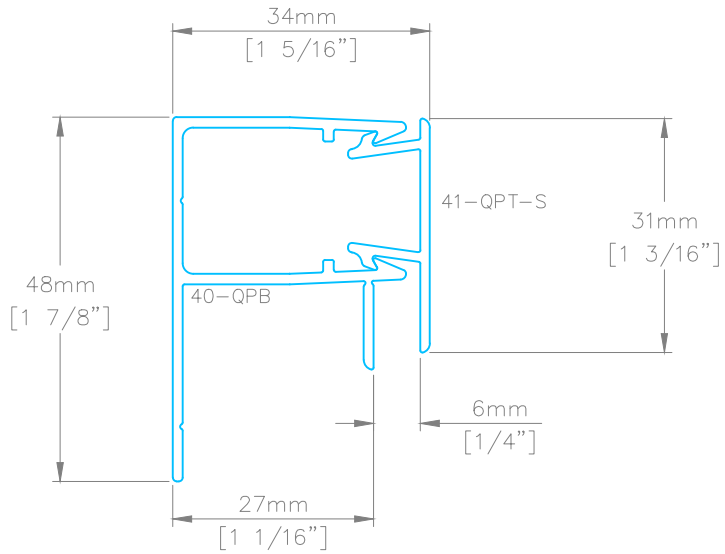
DESCRIPTION			
REVEAL PARAPET TERMINATION DETAIL			
 QuickPanel Systems	SCALE	NTS	DRAWING NUMBER
	DATE	MAR2026	QP1.7
	DRWN BY	DLR/RD	

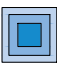


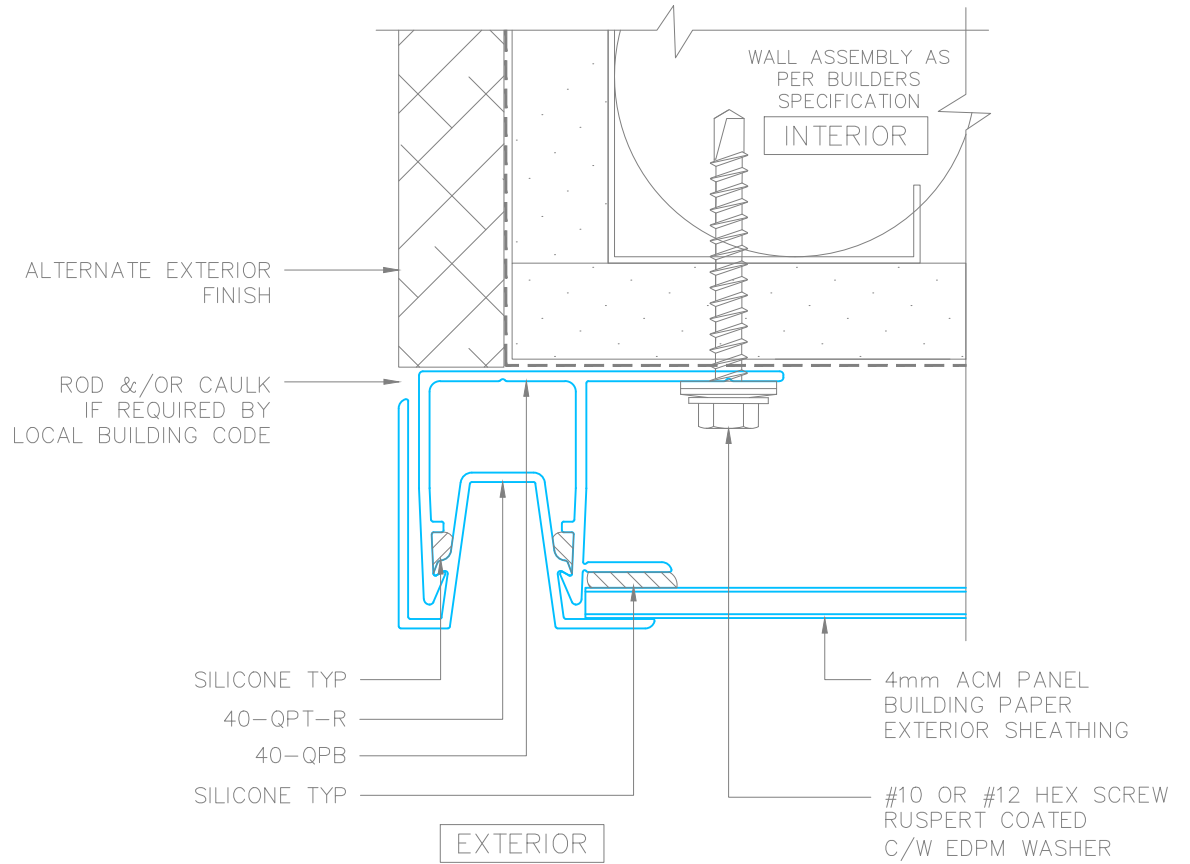
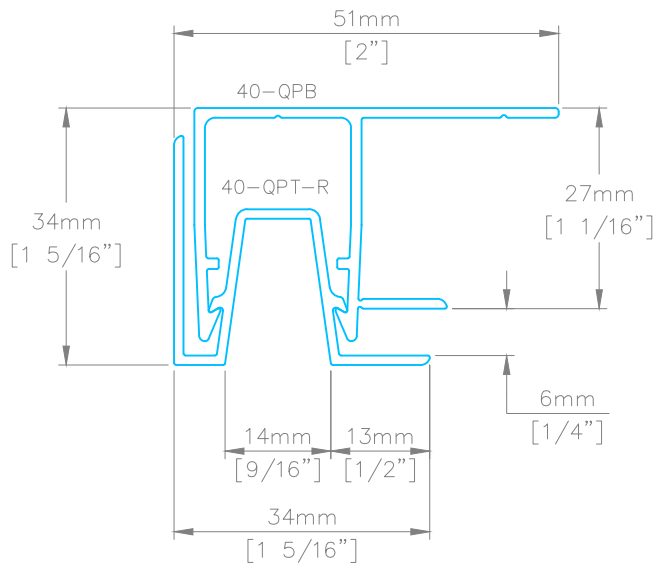
DESCRIPTION			
ABSOLUTE PARAPET TERMINATION DETAIL			
 QuickPanel Systems	SCALE	NTS	DRAWING NUMBER
	DATE	MAR2026	QP1.8
	DRWN BY	DLR/RD	




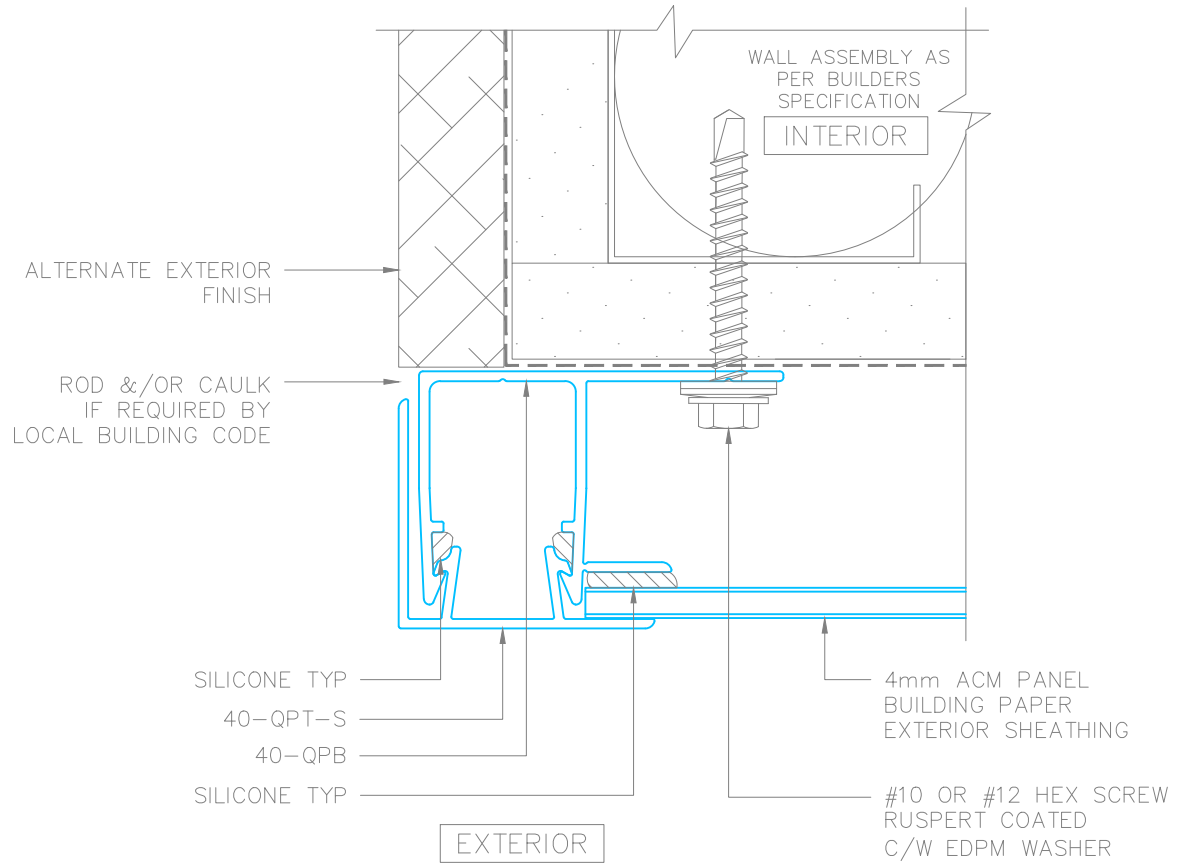
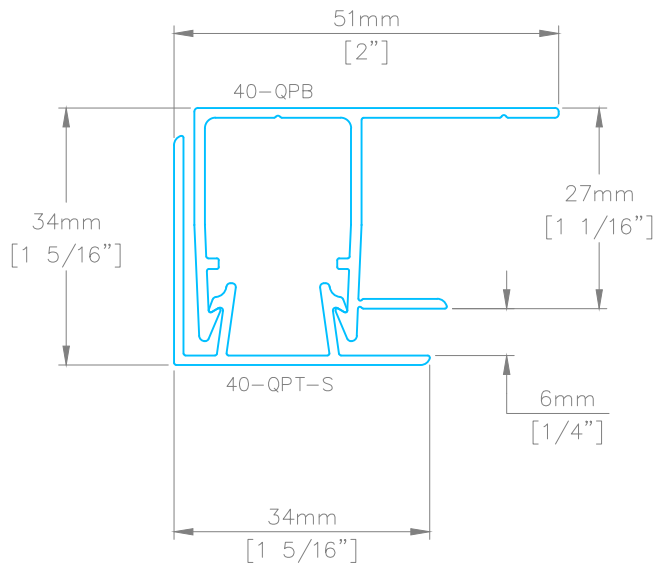
DESCRIPTION			
REVEAL SOFFIT TERMINATION DETAIL			
	SCALE	NTS	DRAWING NUMBER
	DATE	MAR2026	QP1.9
	DRWN BY	DLR/RD	




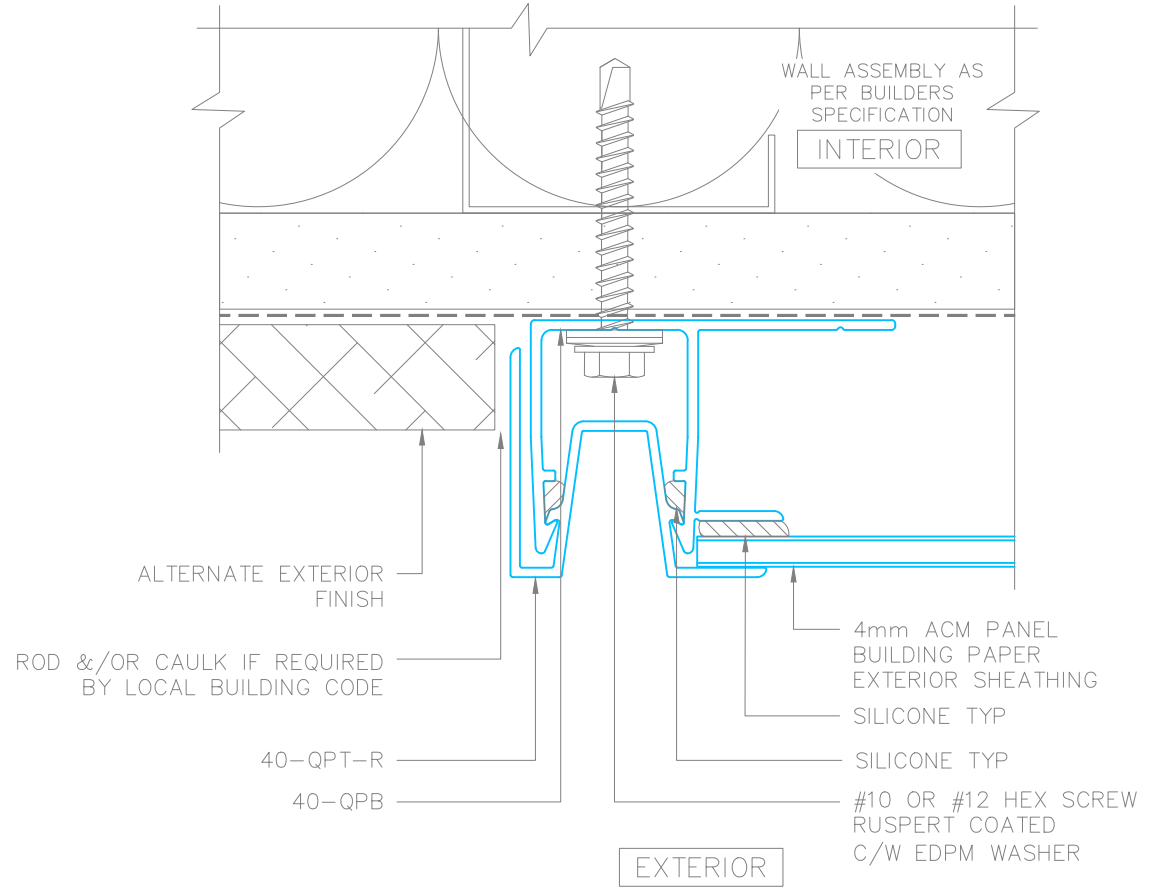
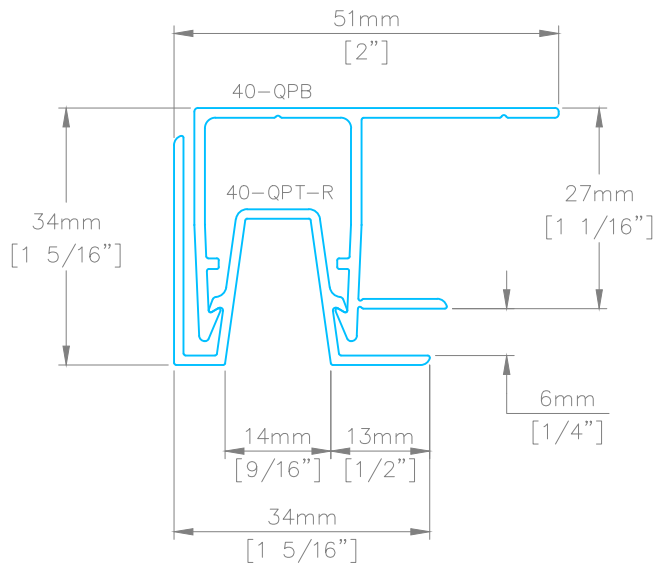
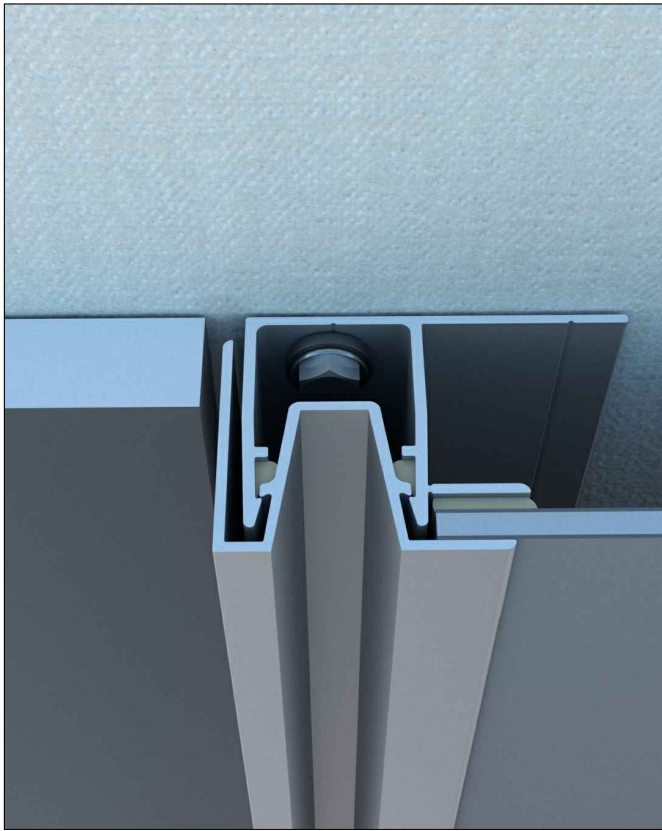
DESCRIPTION			
ABSOLUTE SOFFIT TERMINATION DETAIL			
 QuickPanel Systems	SCALE	NTS	DRAWING NUMBER
	DATE	MAR2026	QP1.10
	DRWN BY	DLR/RD	




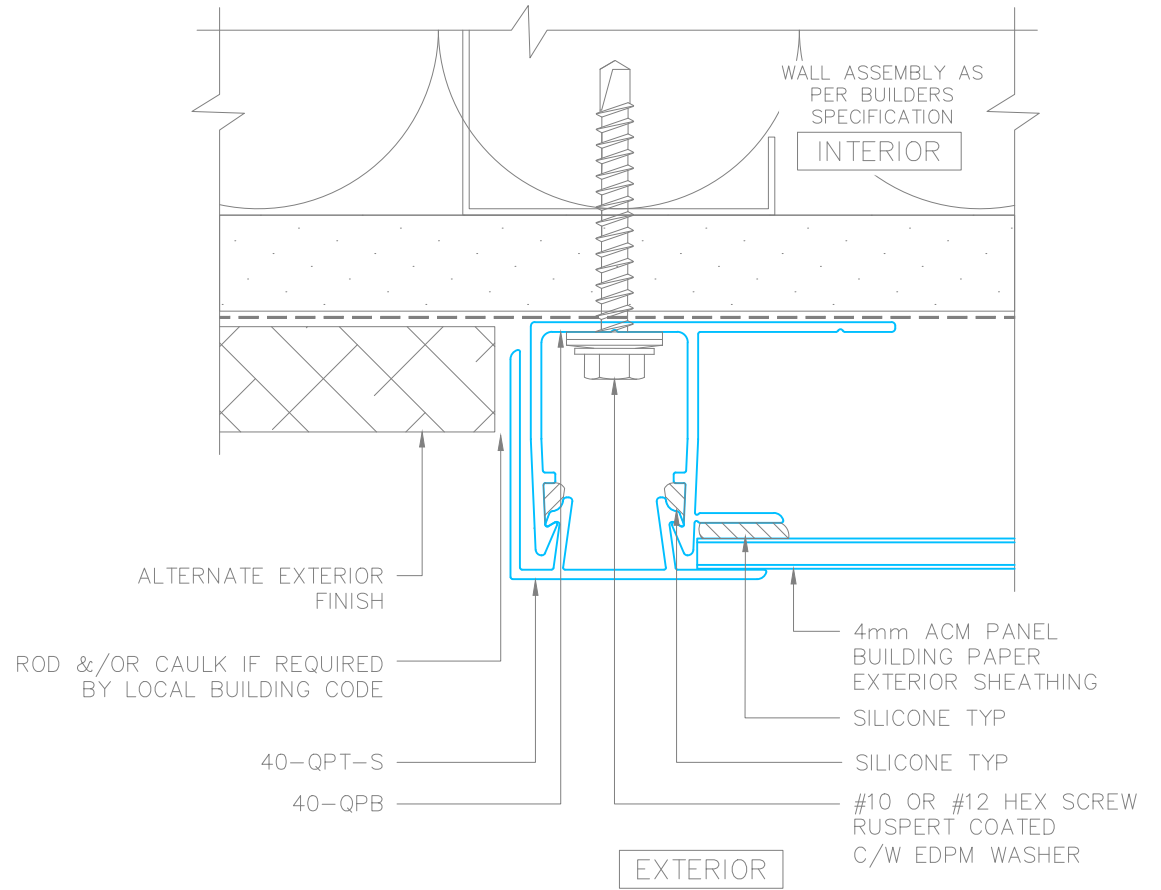
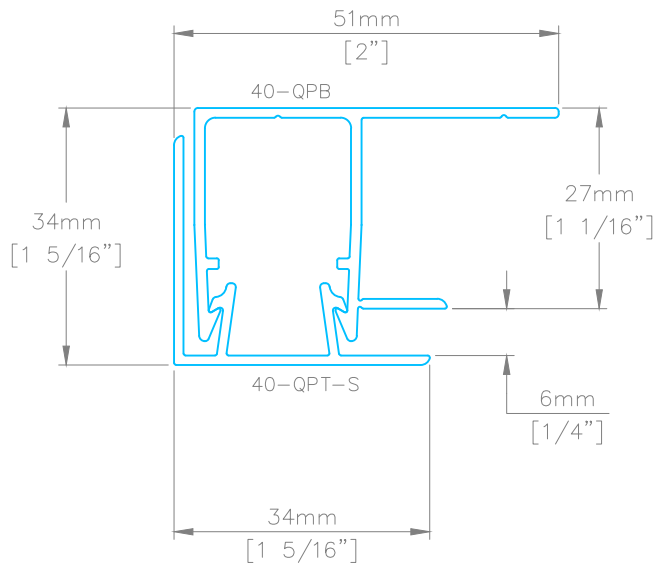
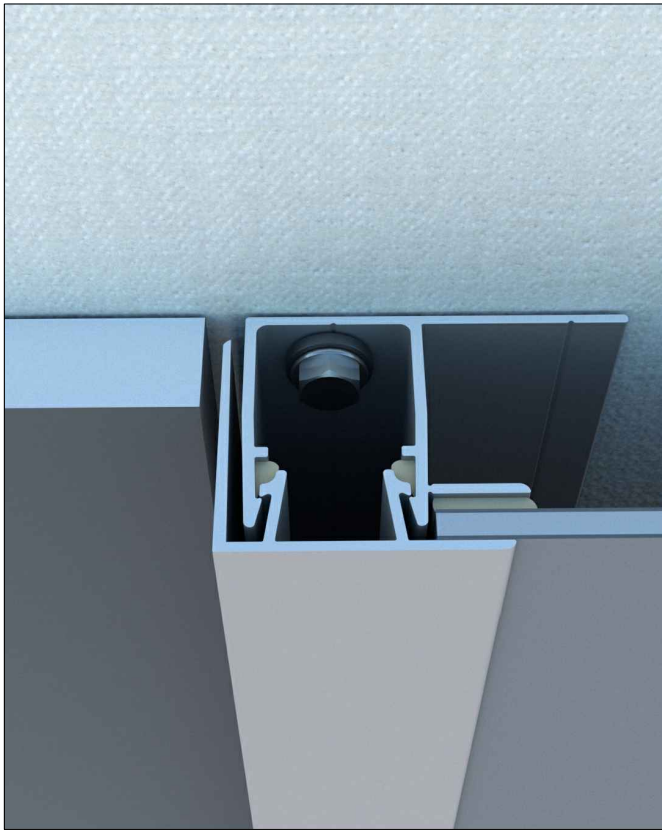
DESCRIPTION			
REVEAL CORNER TERMINATION DETAIL			
	SCALE	NTS	DRAWING NUMBER
	DATE	MAR2026	QP1.11
	DRWN BY	DLR/RD	

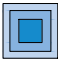


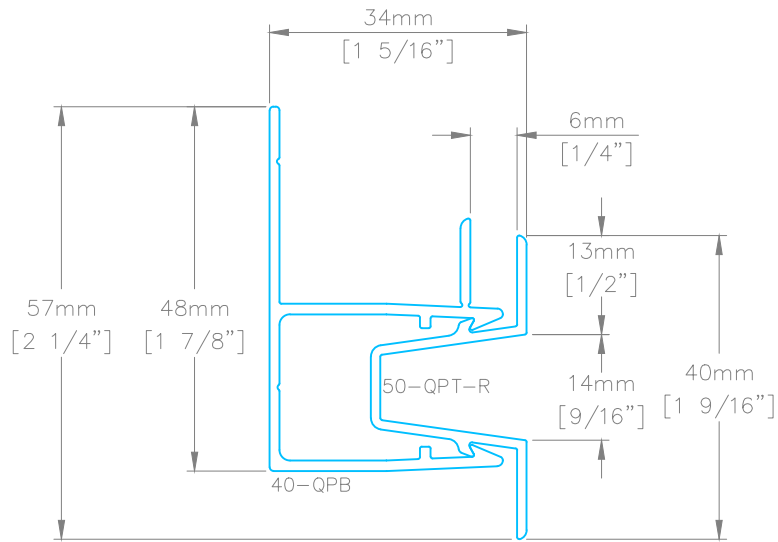
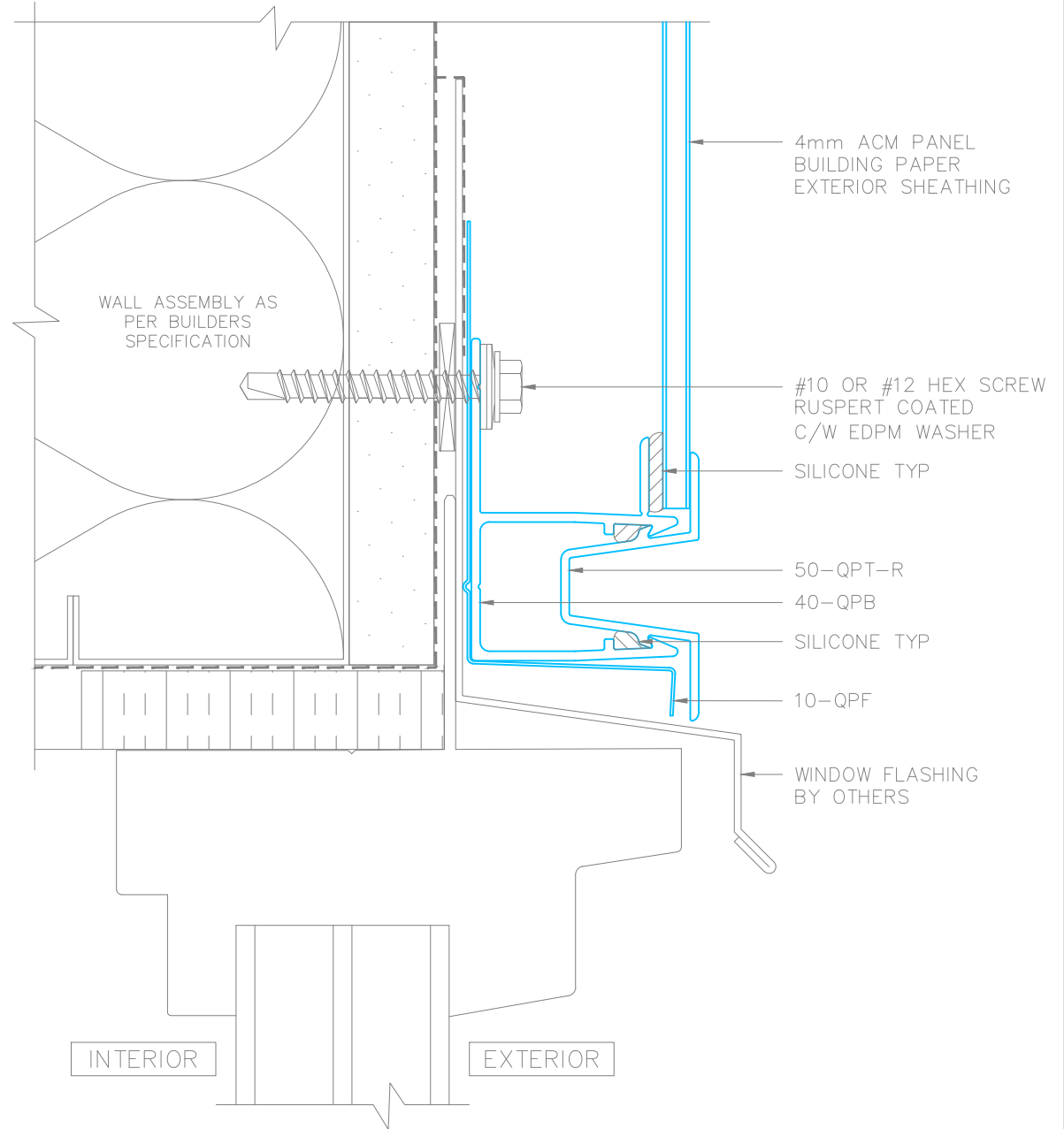
DESCRIPTION			
ABSOLUTE CORNER TERMINATION DETAIL			
	SCALE	NTS	DRAWING NUMBER
	DATE	MAR2026	QP1.12
	DRWN BY	DLR/RD	




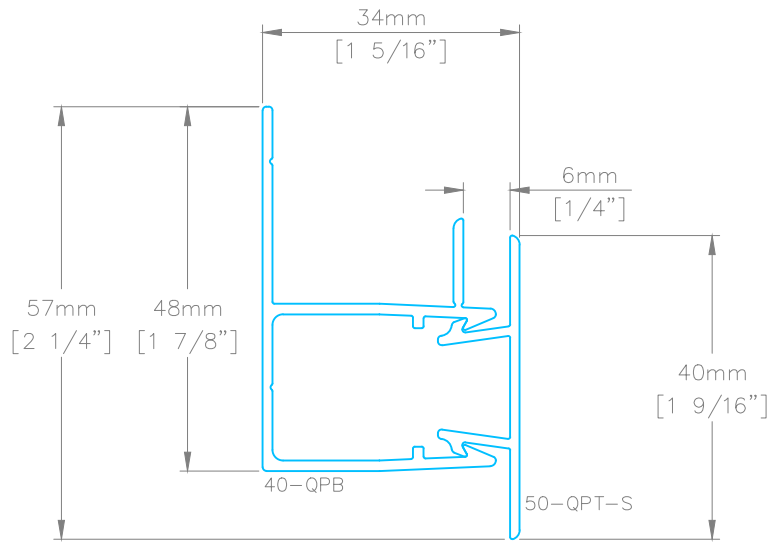
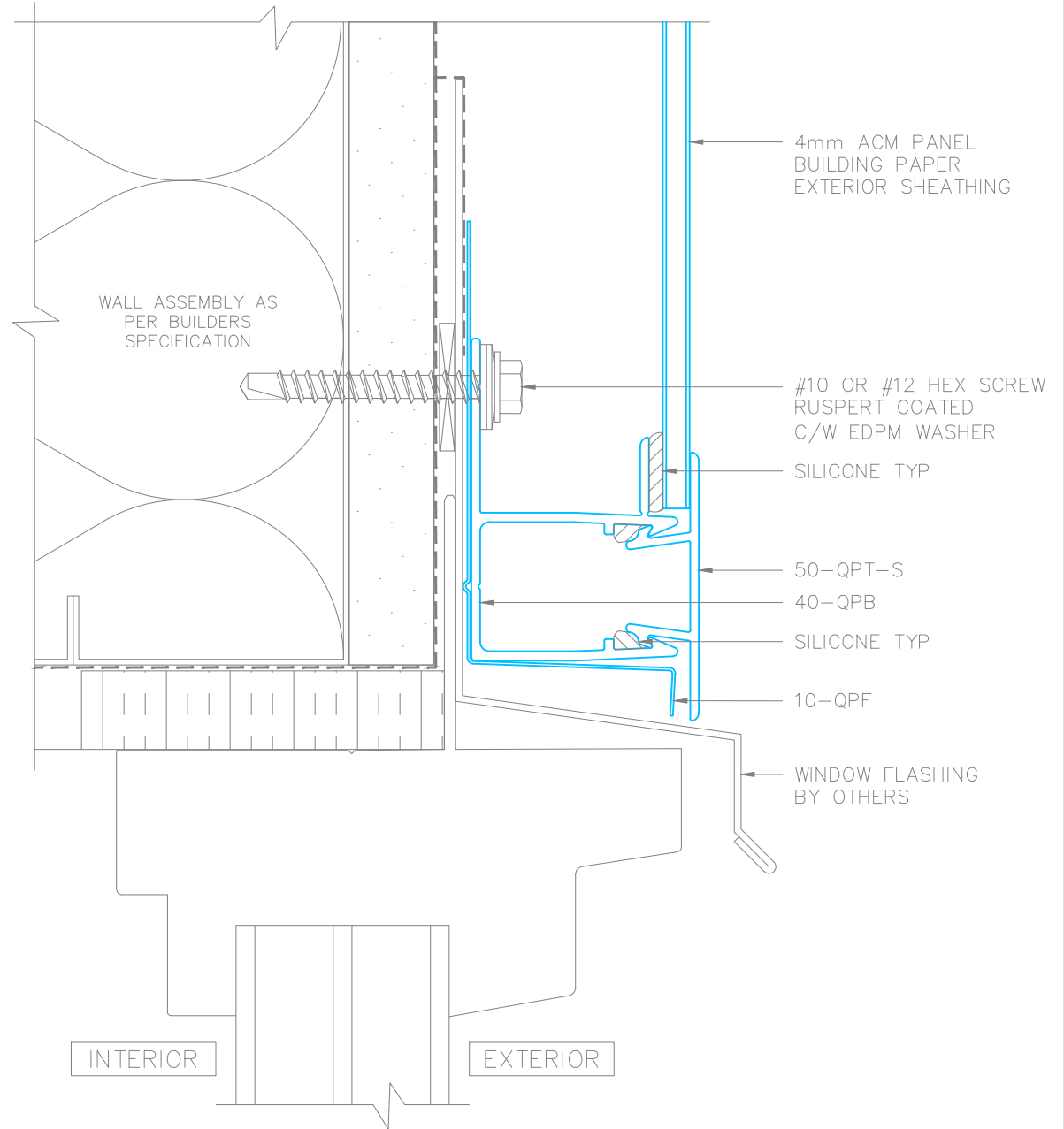
DESCRIPTION			
REVEAL VERTICAL TERMINATION DETAIL			
	SCALE	NTS	DRAWING NUMBER
	DATE	MAR2026	QP1.13
	DRWN BY	DLR/RD	

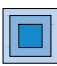


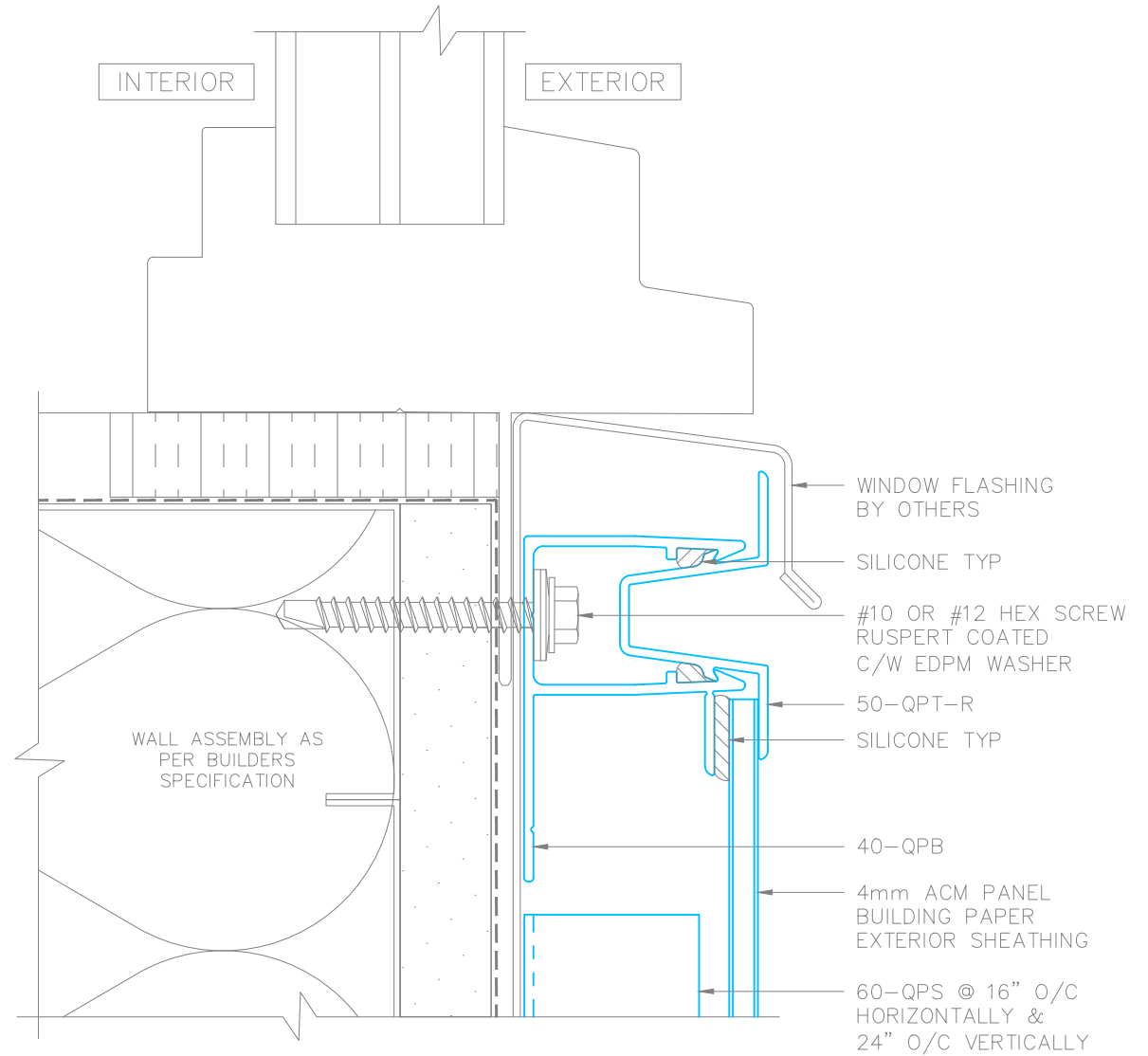
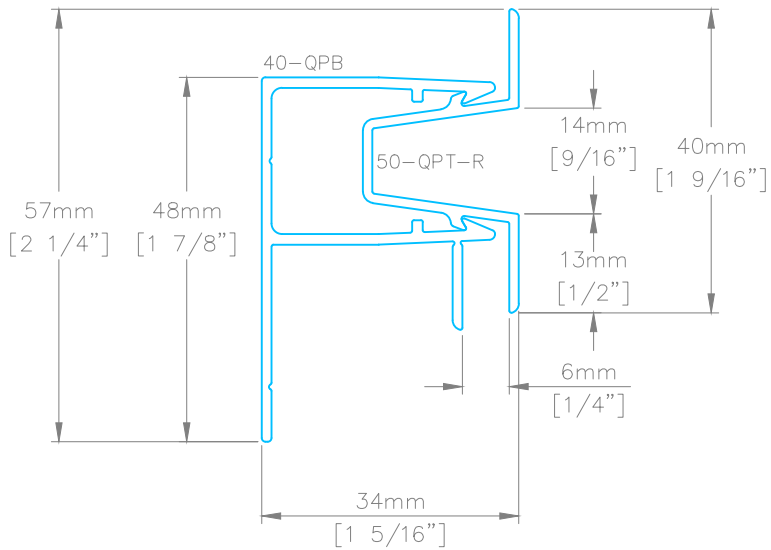
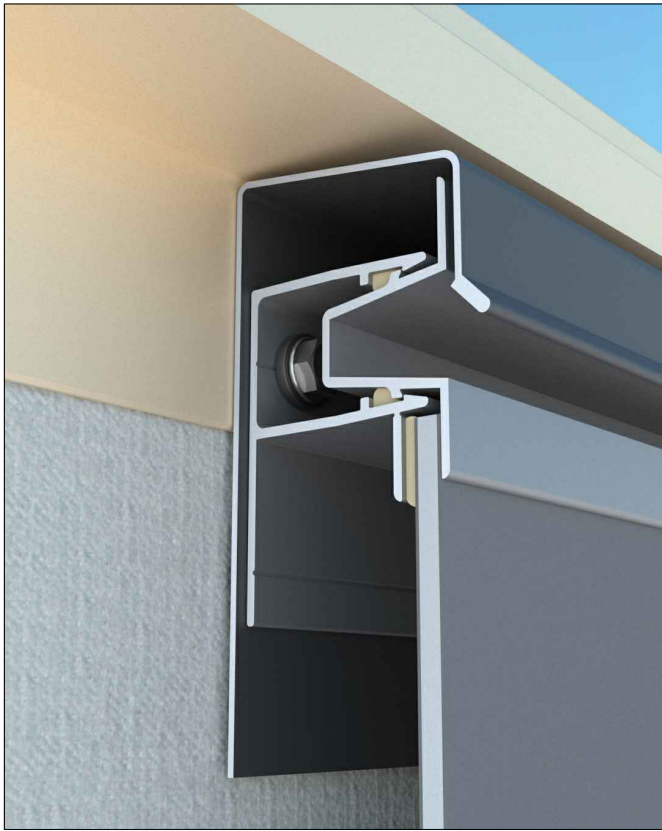
DESCRIPTION			
ABSOLUTE VERTICAL TERMINATION DETAIL			
 QuickPanel Systems	SCALE	NTS	DRAWING NUMBER
	DATE	MAR2026	QP1.14
	DRWN BY	DLR/RD	

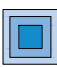


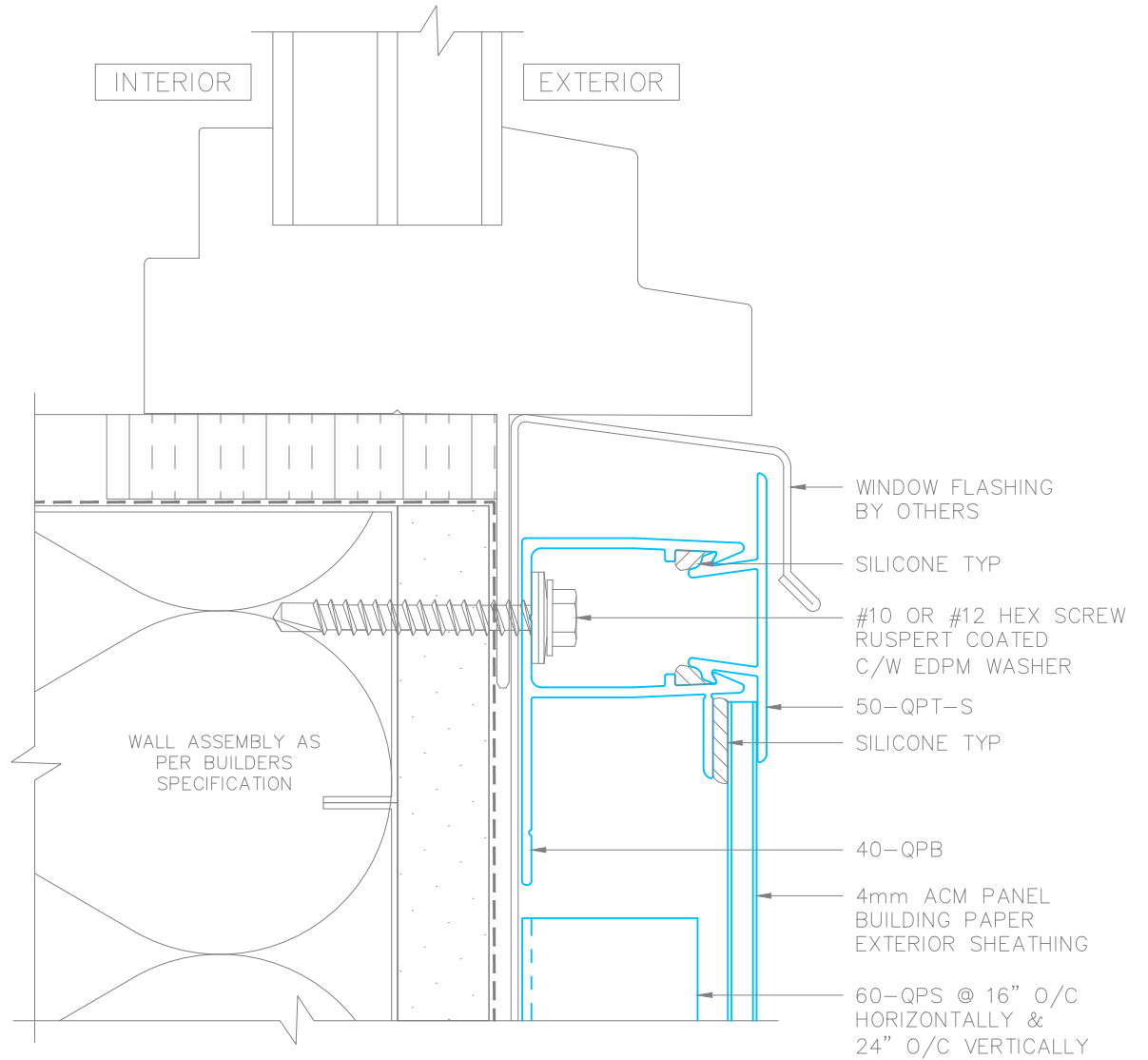
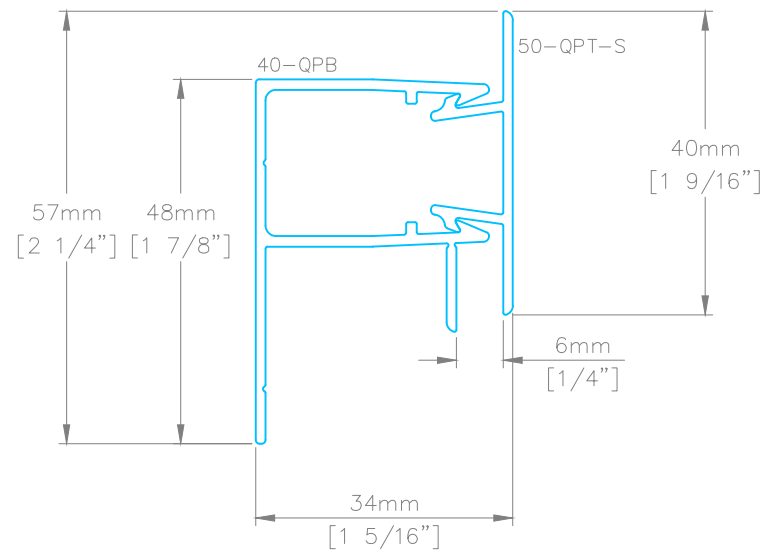
DESCRIPTION			
REVEAL (PROJECTING) WINDOW HEAD DETAIL			
	SCALE	NTS	DRAWING NUMBER
	DATE	MAR2026	QP2.1
	DRWN BY	DLR/RD	




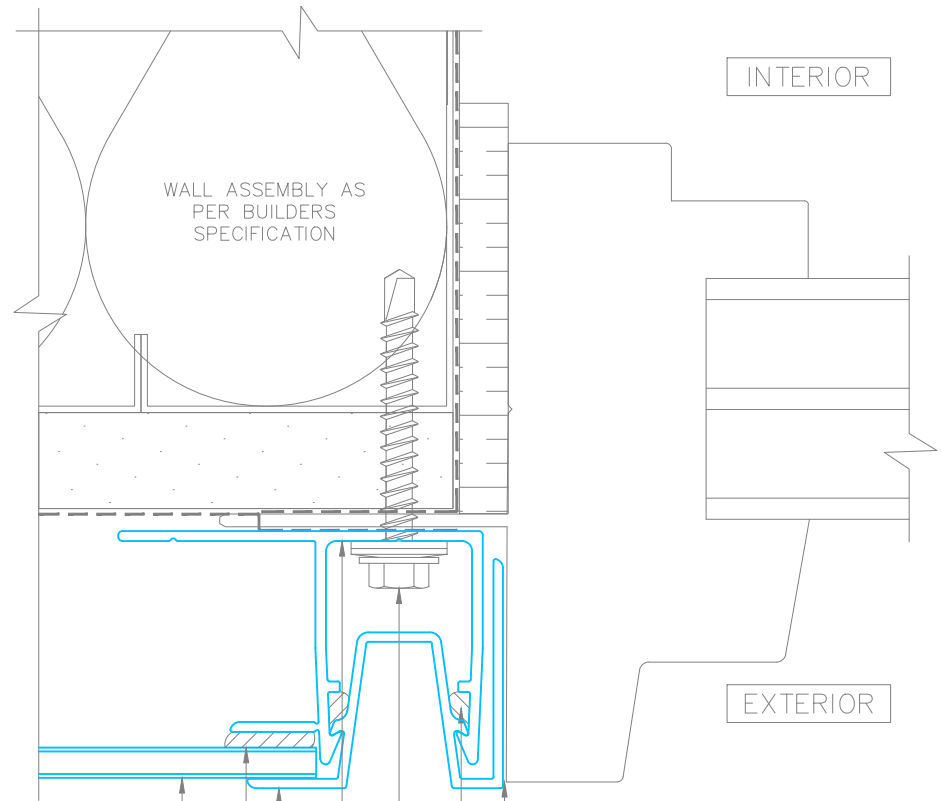
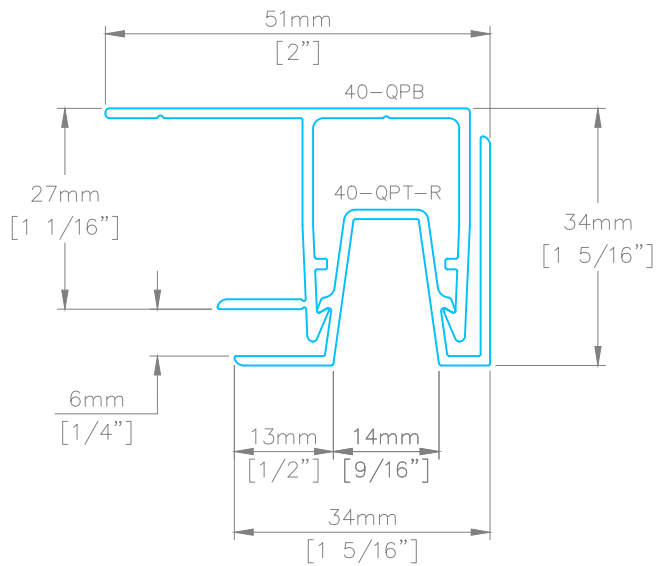
DESCRIPTION			
ABSOLUTE (PROJECTING) WINDOW HEAD DETAIL			
 QuickPanel Systems	SCALE	NTS	DRAWING NUMBER
	DATE	MAR2026	QP2.2
	DRWN BY	DLR/RD	




DESCRIPTION			
REVEAL (PROJECTING) WINDOW SILL DETAIL			
 QuickPanel Systems	SCALE	NTS	DRAWING NUMBER
	DATE	MAR2026	QP2.3
	DRWN BY	DLR/RD	

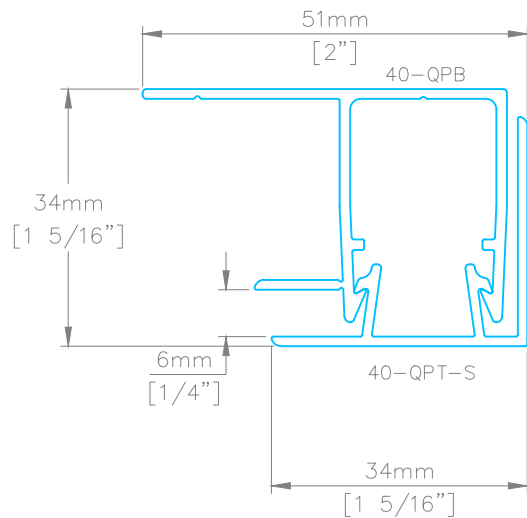


DESCRIPTION			
ABSOLUTE (PROJECTING) WINDOW SILL DETAIL			
	SCALE	NTS	DRAWING NUMBER
	DATE	MAR2026	QP2.4
	DRWN BY	DLR/RD	

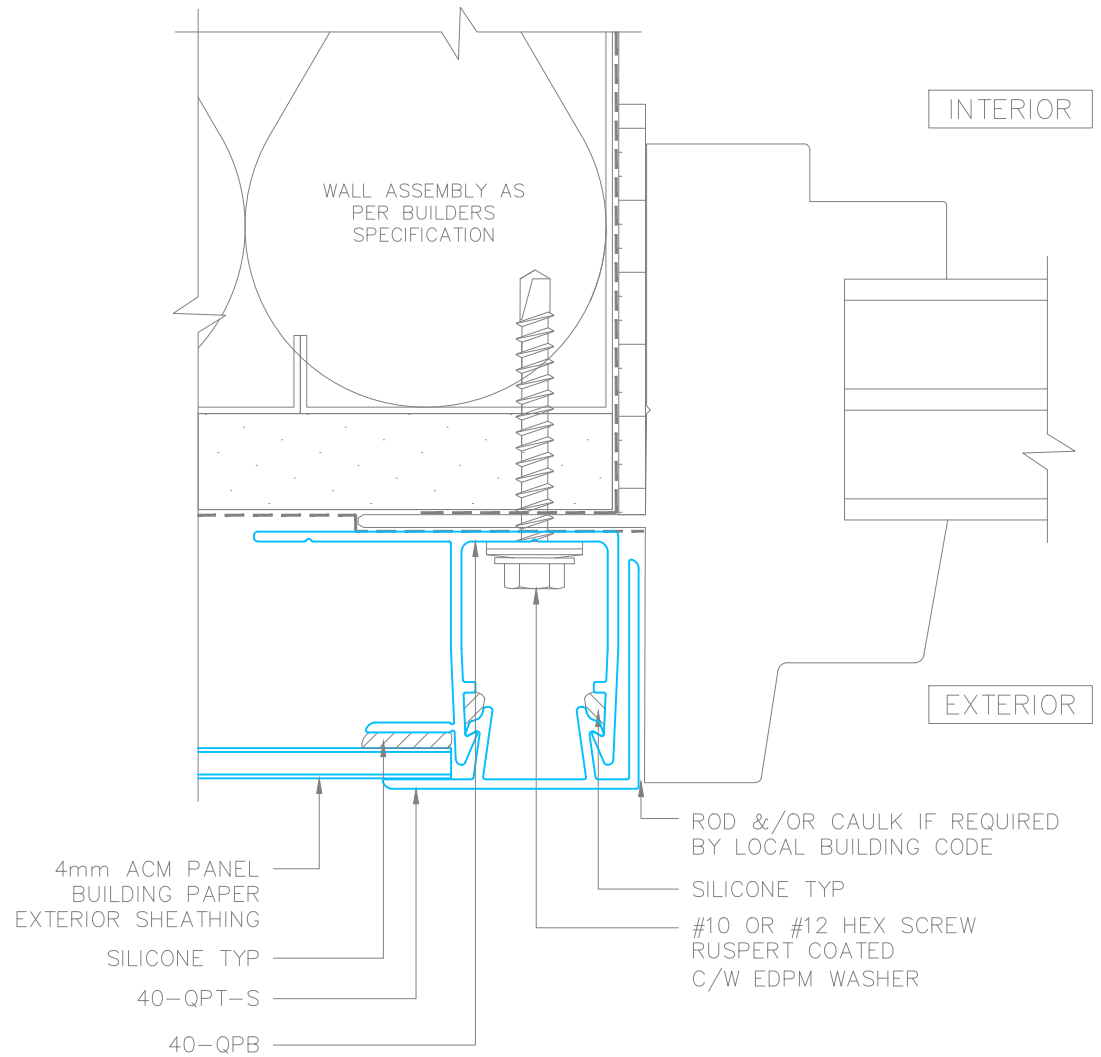


- 4mm ACM PANEL
- BUILDING PAPER
- EXTERIOR SHEATHING
- SILICONE TYP
- 40-QPT-R
- 40-QPB
- ROD &/OR CAULK IF REQUIRED BY LOCAL BUILDING CODE
- SILICONE TYP
- #10 OR #12 HEX SCREW RUSPERT COATED C/W EDPM WASHER

DESCRIPTION			
REVEAL (PROJECTING) WINDOW JAMB DETAIL			
	SCALE	NTS	DRAWING NUMBER
	DATE	MAR2026	QP2.5
	DRWN BY	DLR/RD	



Copyright © 2024 EasyTrim Reveals®. All rights reserved.



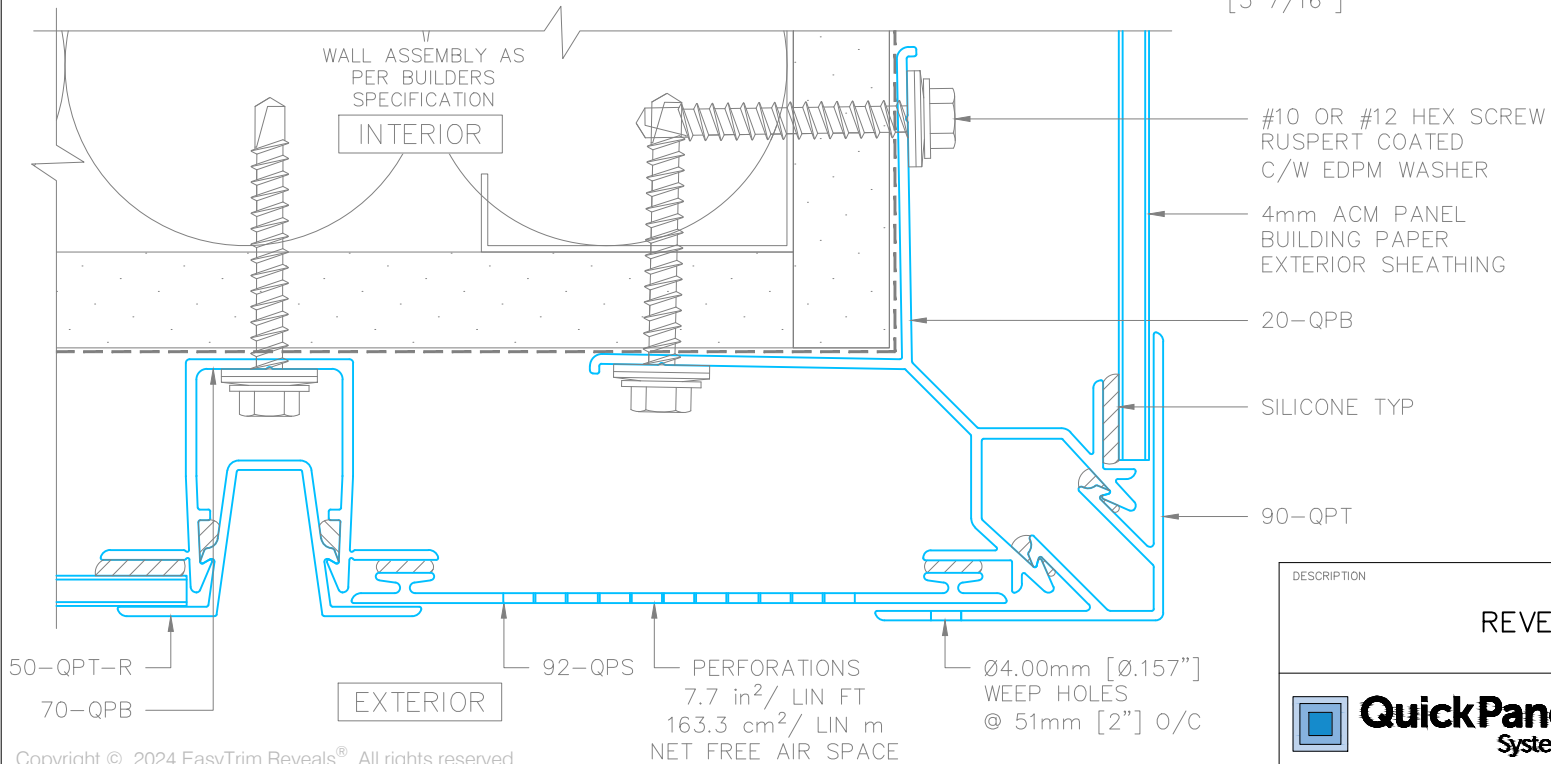
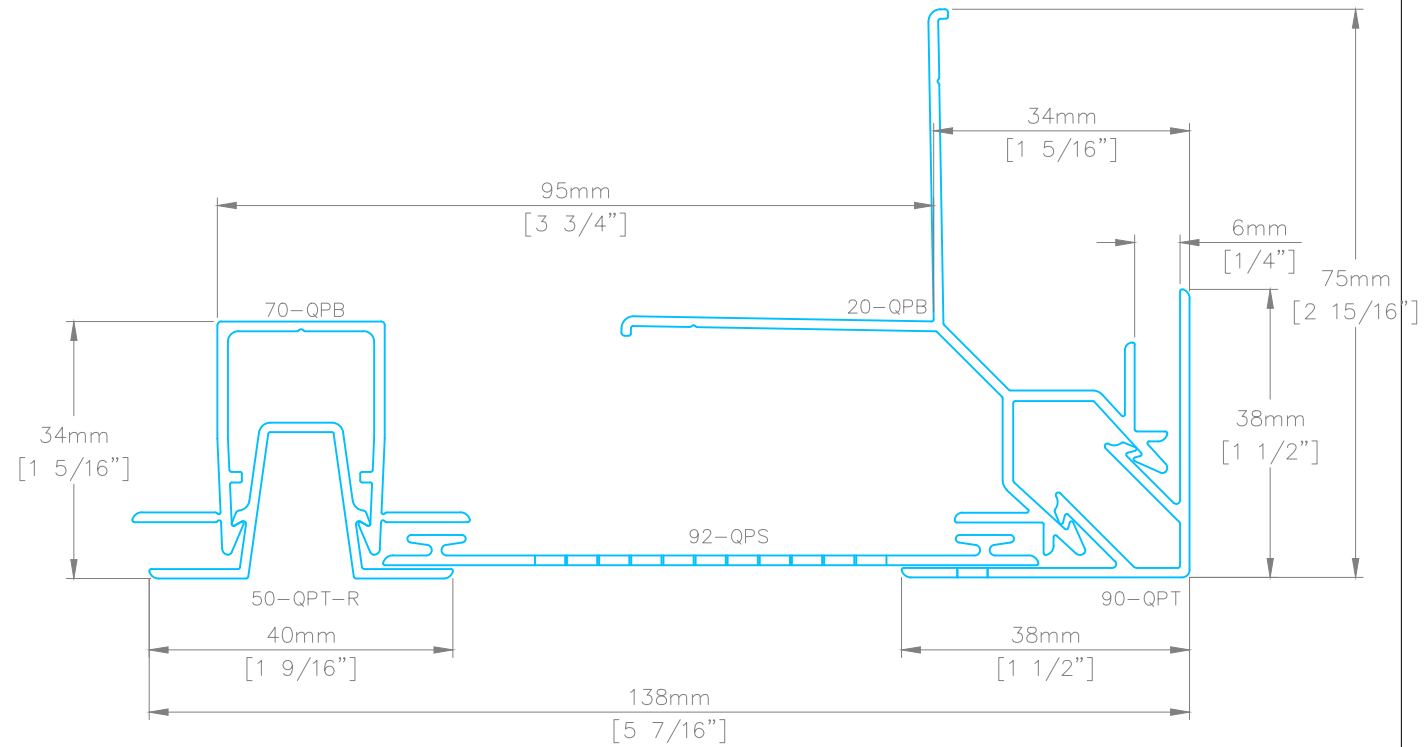
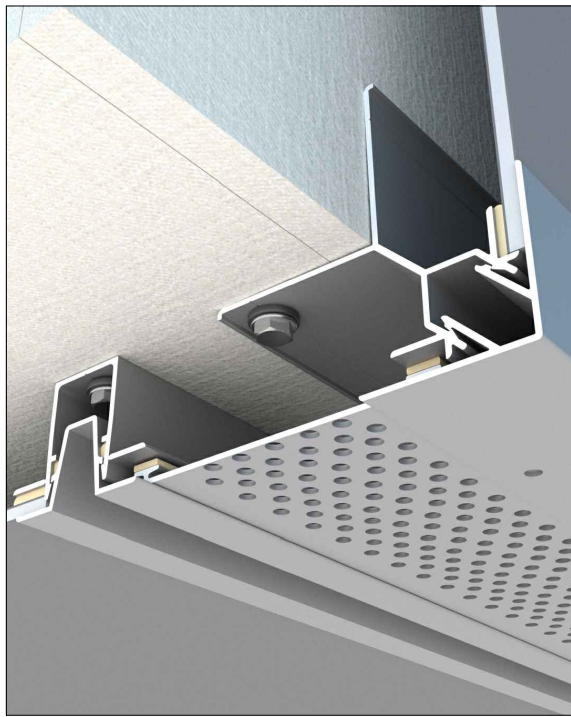
DESCRIPTION


ABSOLUTE (PROJECTING) WINDOW JAMB DETAIL

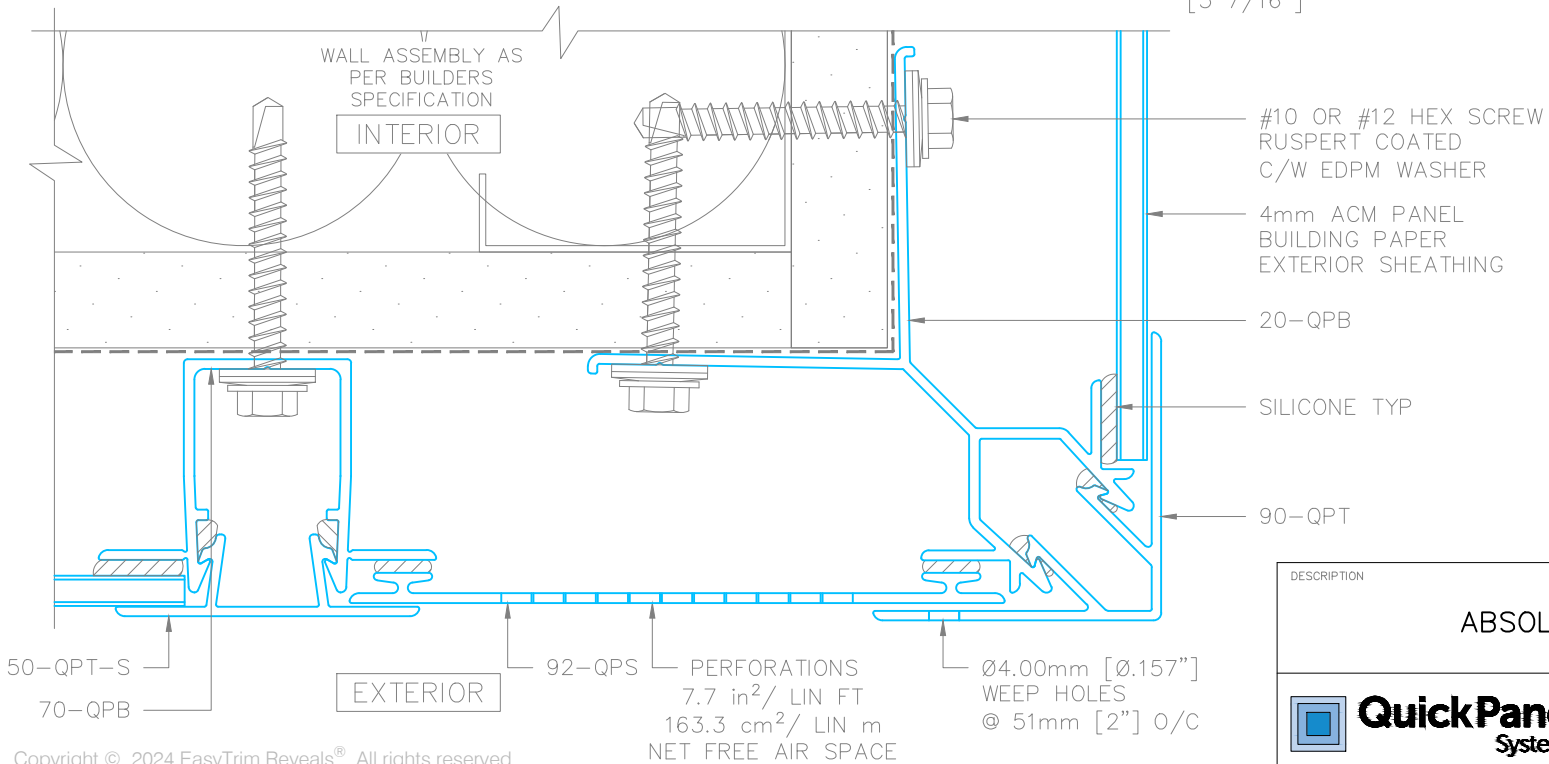
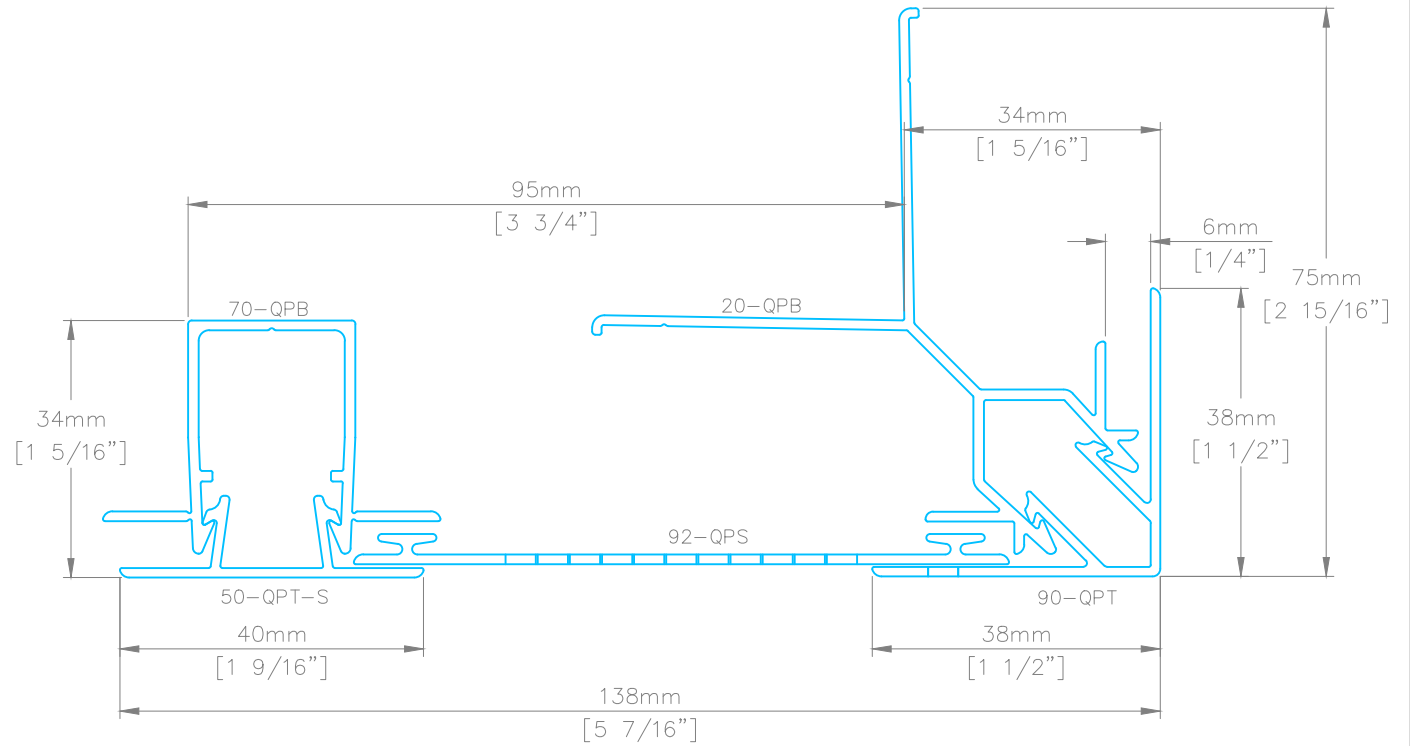
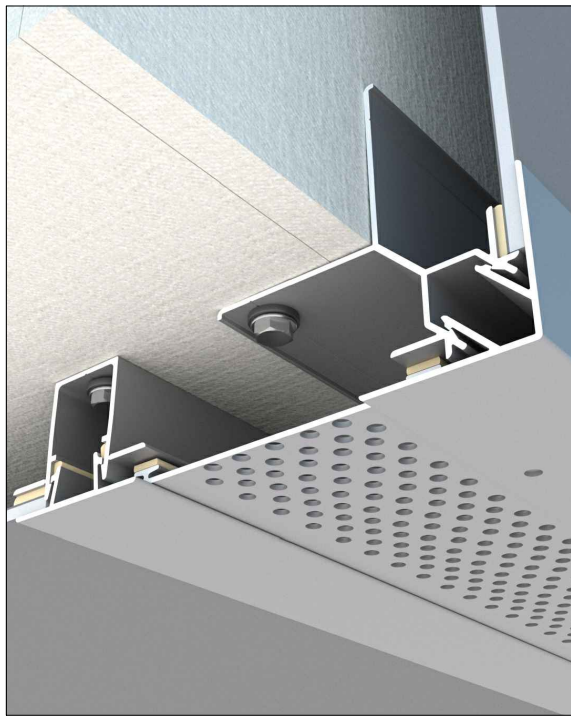



QuickPanel
Systems

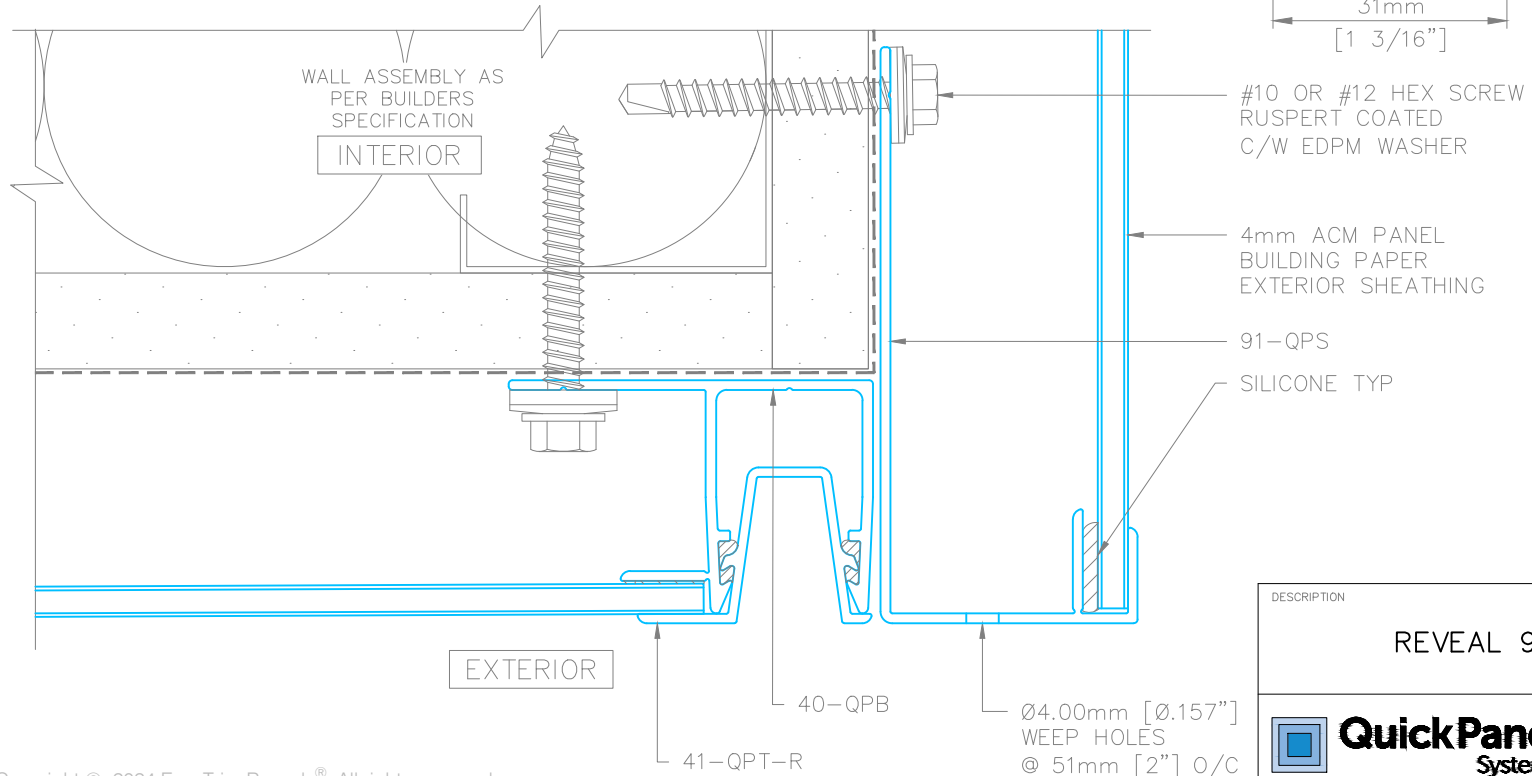
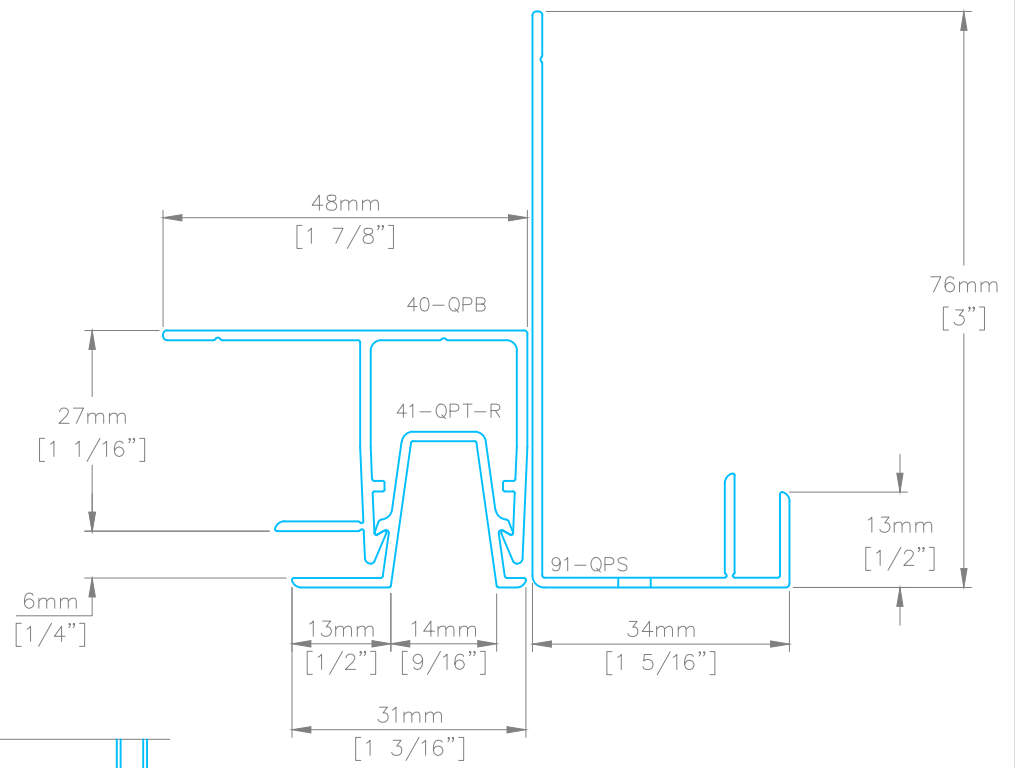
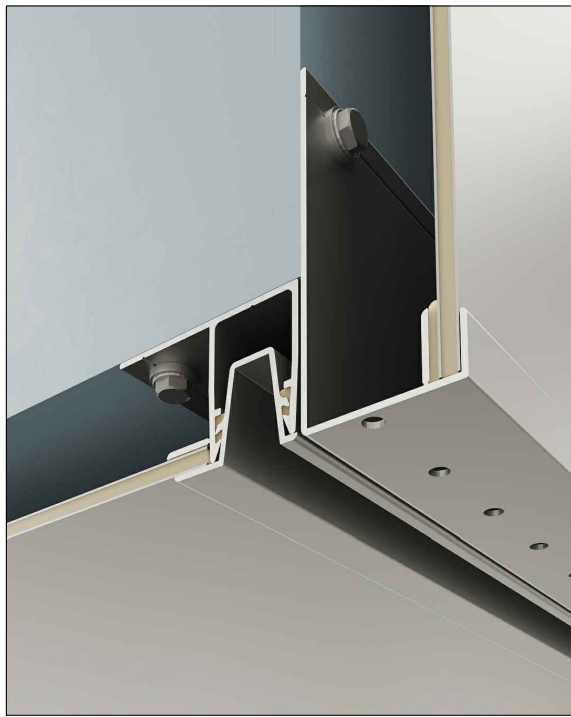
SCALE	NTS	DRAWING NUMBER
DATE	MAR2026	QP2.6
DRWN BY	DLR/RD	




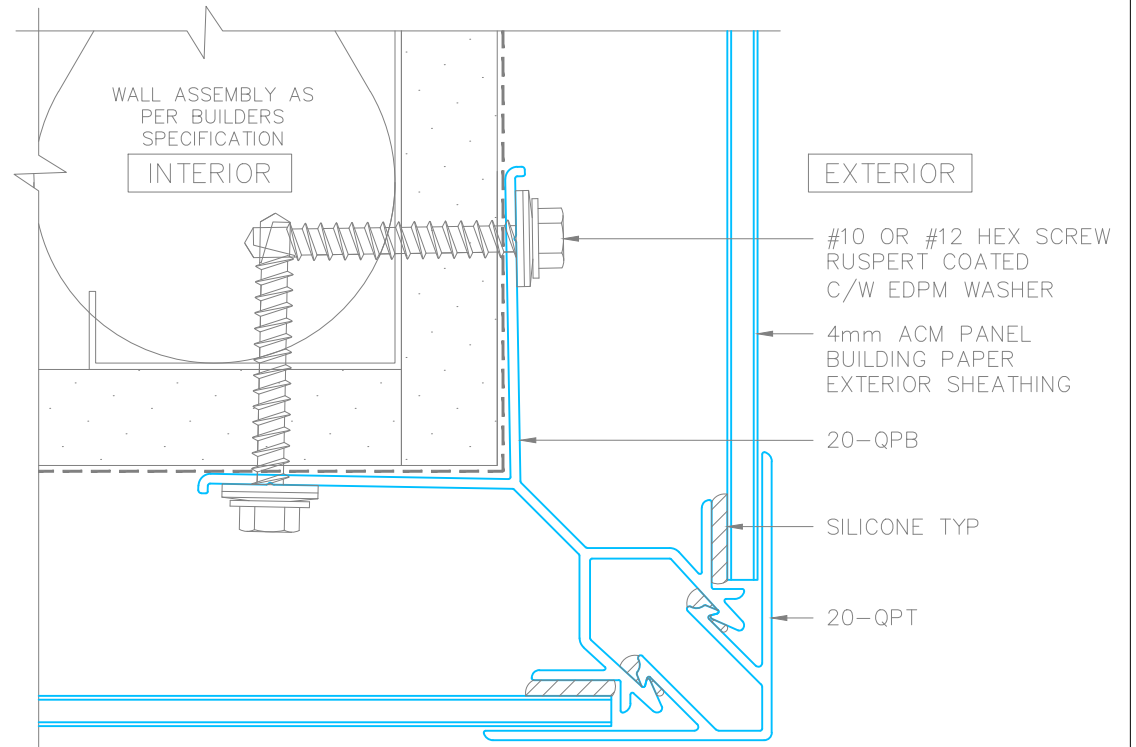
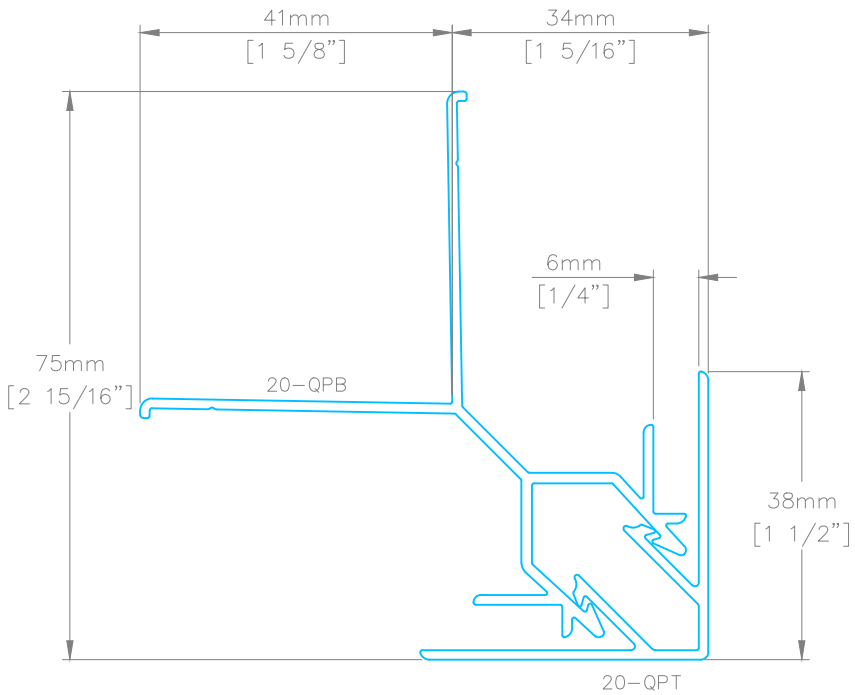
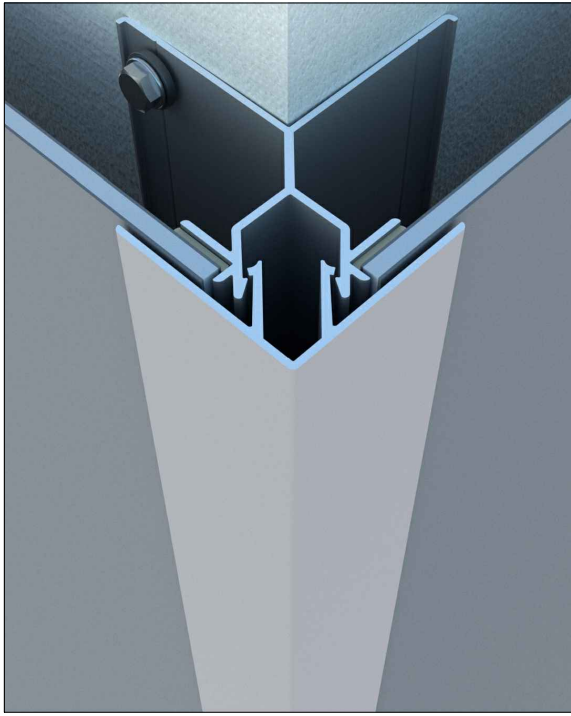
DESCRIPTION			
REVEAL SOFFIT DETAIL			
	SCALE	NTS	DRAWING NUMBER
	DATE	MAR2026	QP3.1
	DRWN BY	DLR/RD	

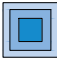


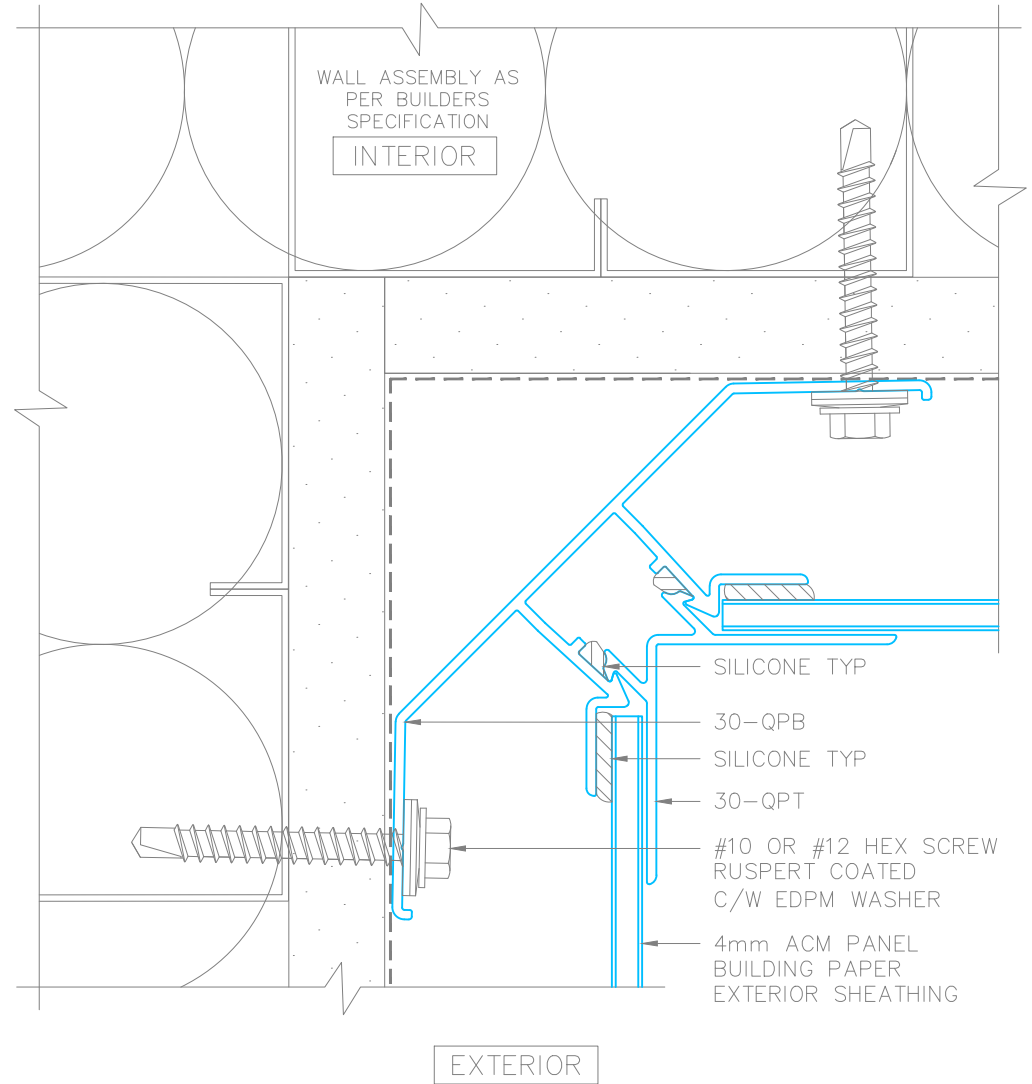
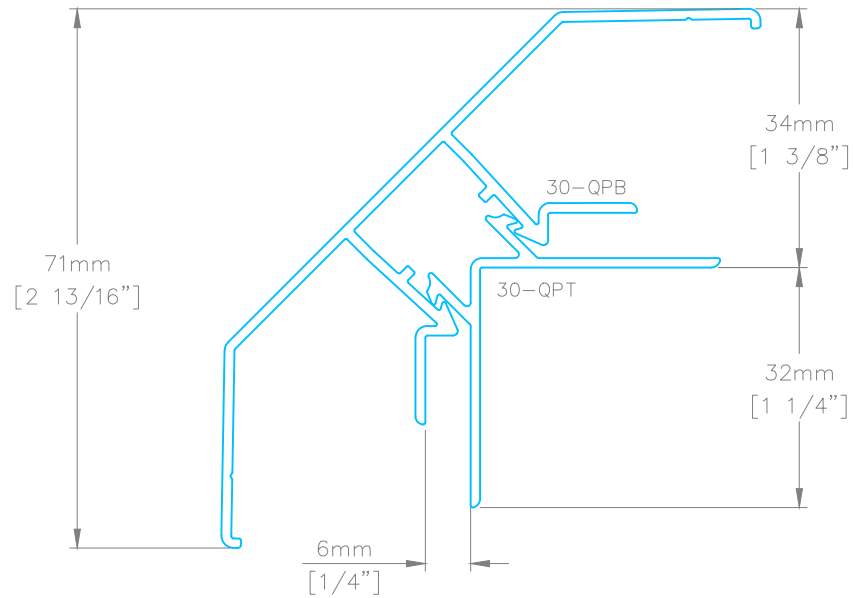
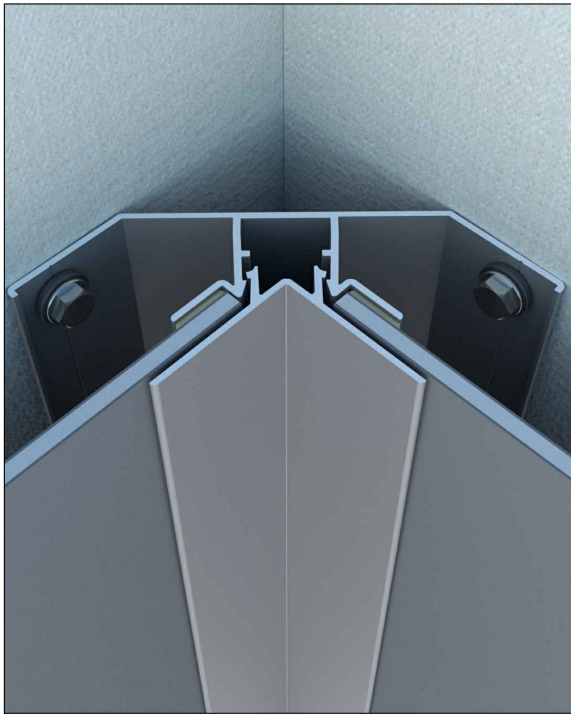
DESCRIPTION			
ABSOLUTE SOFFIT DETAIL			
	SCALE	NTS	DRAWING NUMBER
	DATE	MAR2026	QP3.2
	DRWN BY	DLR/RD	

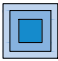


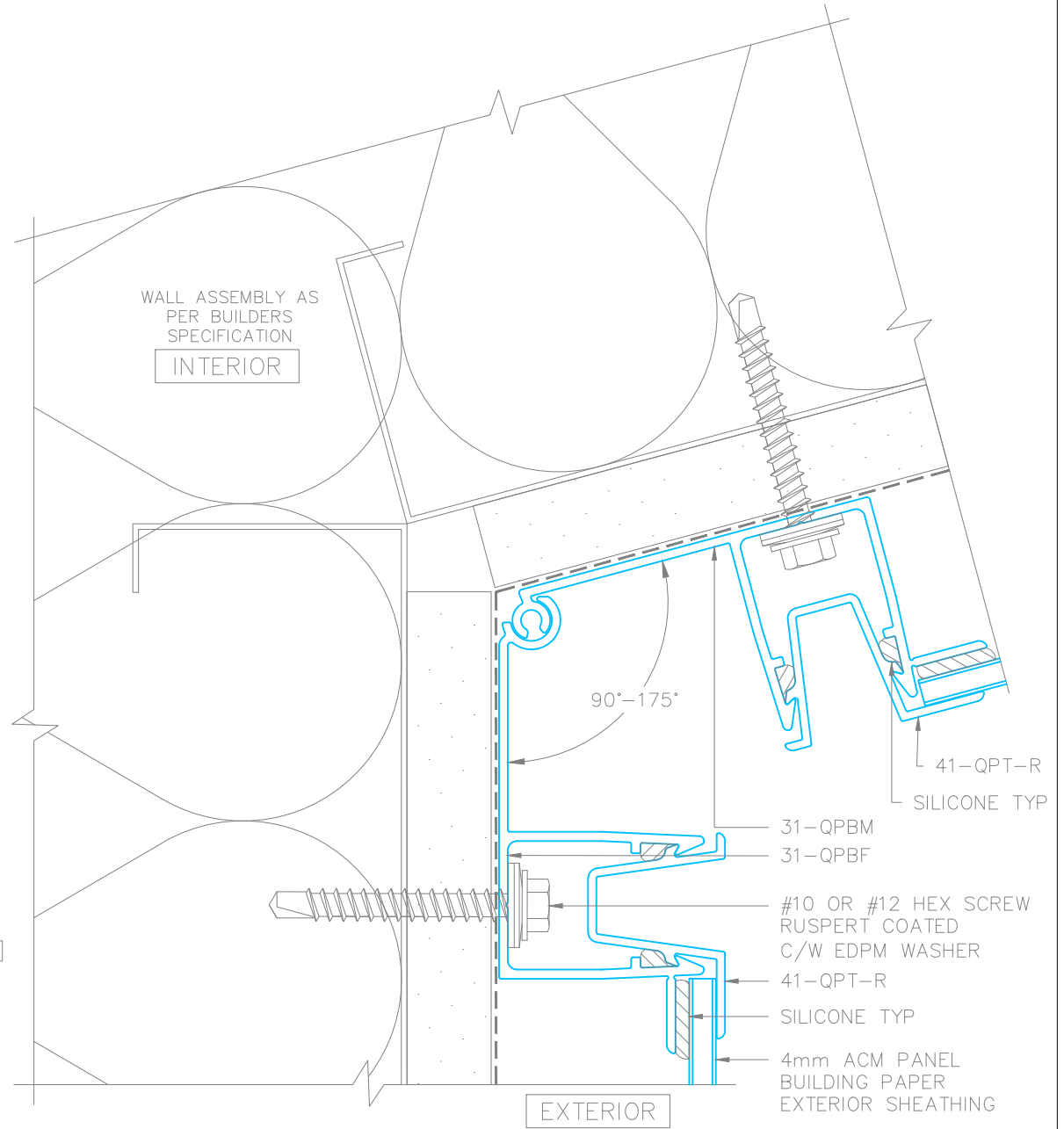
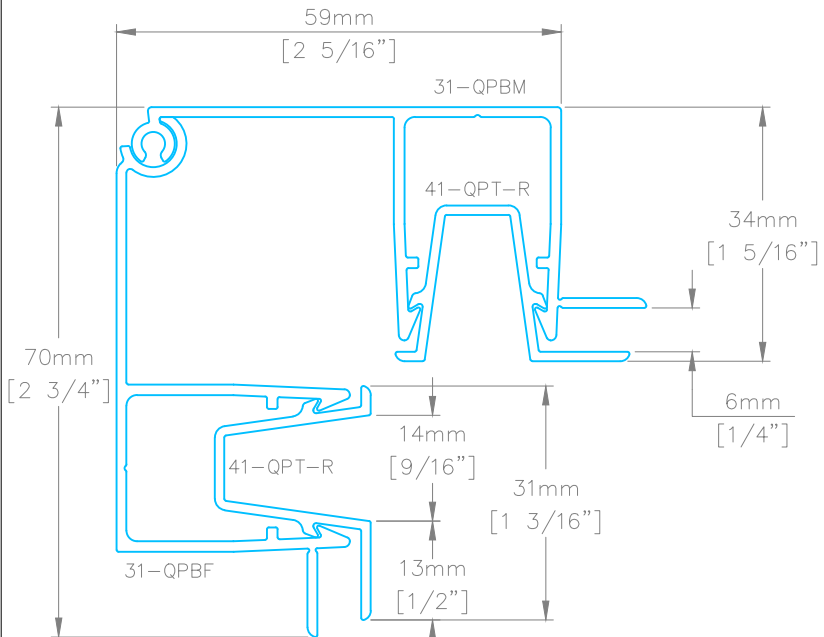
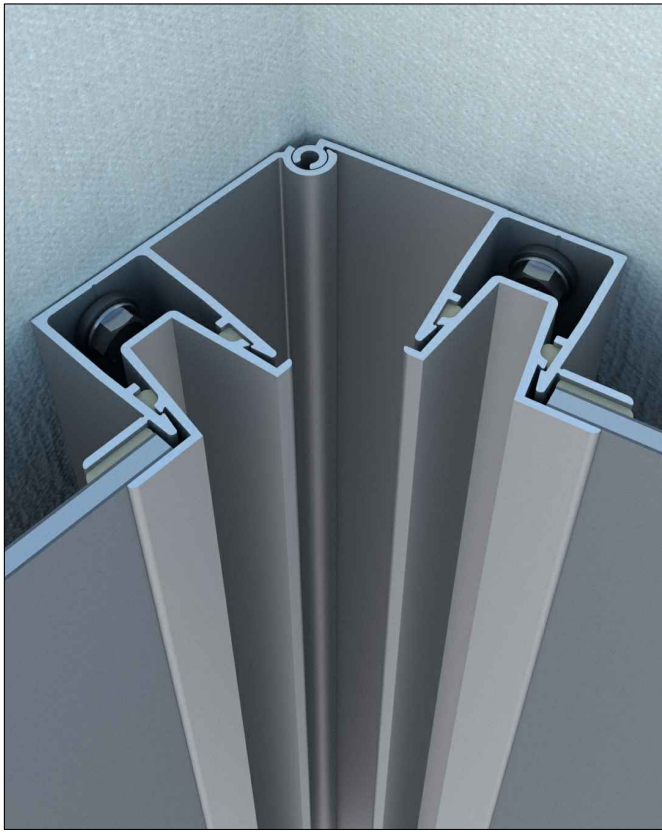
DESCRIPTION			
REVEAL 91-QPS SOFFIT DETAIL			
	SCALE	NTS	DRAWING NUMBER
	DATE	MAR2025	QP3.3
	DRWN BY	DLR/RD/HJ	

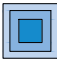


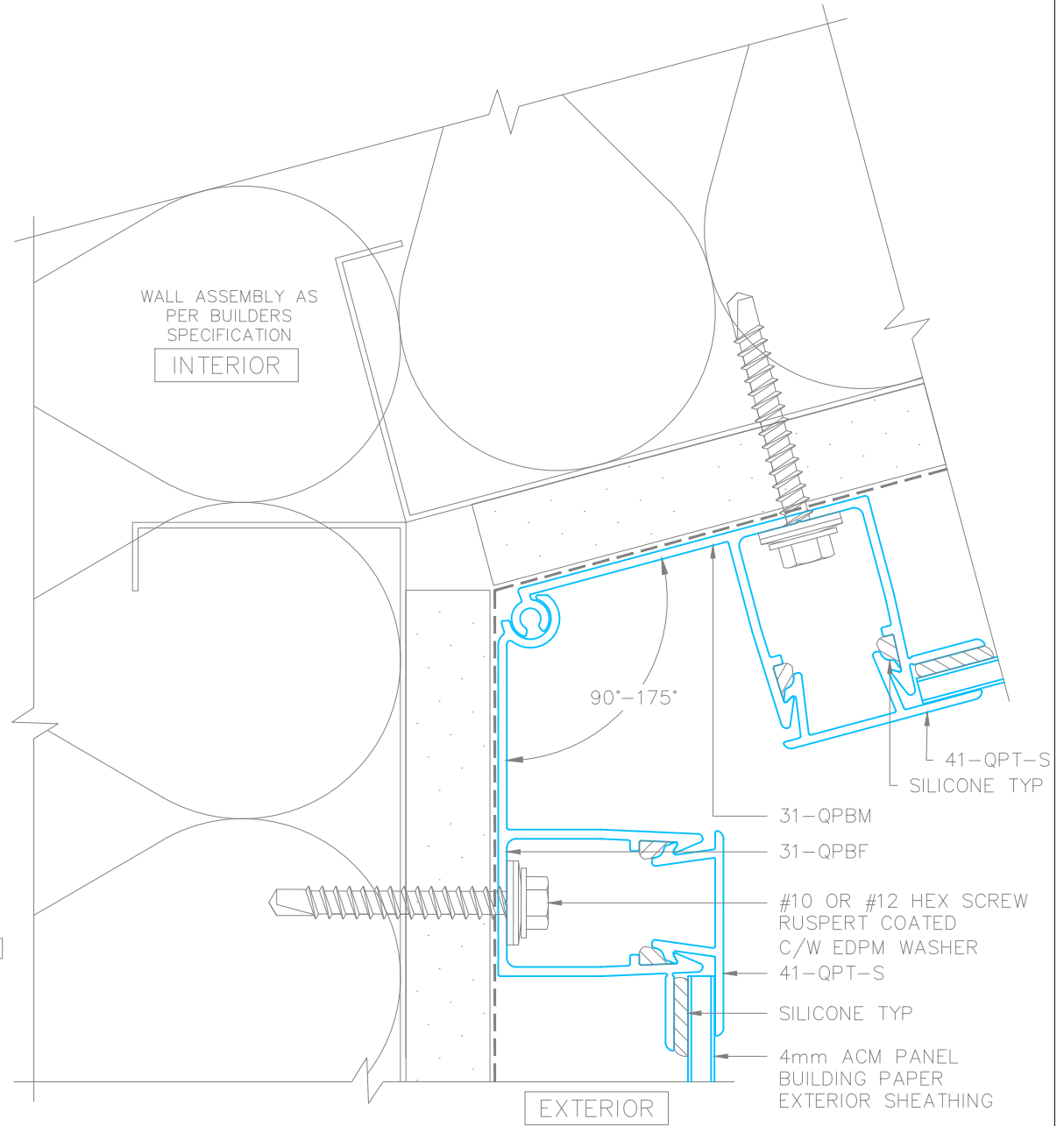
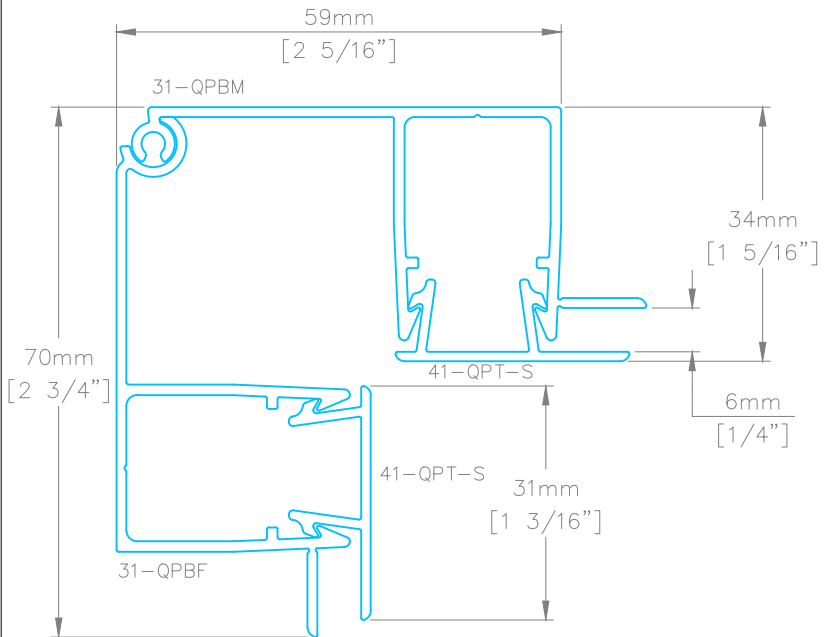
DESCRIPTION			
OUTSIDE CORNER DETAIL			
 QuickPanel Systems	SCALE	NTS	DRAWING NUMBER
	DATE	MAR2026	QP3.4
	DRWN BY	DLR/RD	



DESCRIPTION			
INSIDE CORNER DETAIL			
 QuickPanel Systems	SCALE	NTS	DRAWING NUMBER
	DATE	MAR2026	QP3.5
	DRWN BY	DLR/RD	



DESCRIPTION			
REVEAL MULTI-ANGLE INSIDE CORNER DETAIL			
 QuickPanel Systems	SCALE	NTS	DRAWING NUMBER
	DATE	MAR2026	QP3.6
	DRWN BY	DLR/RD	



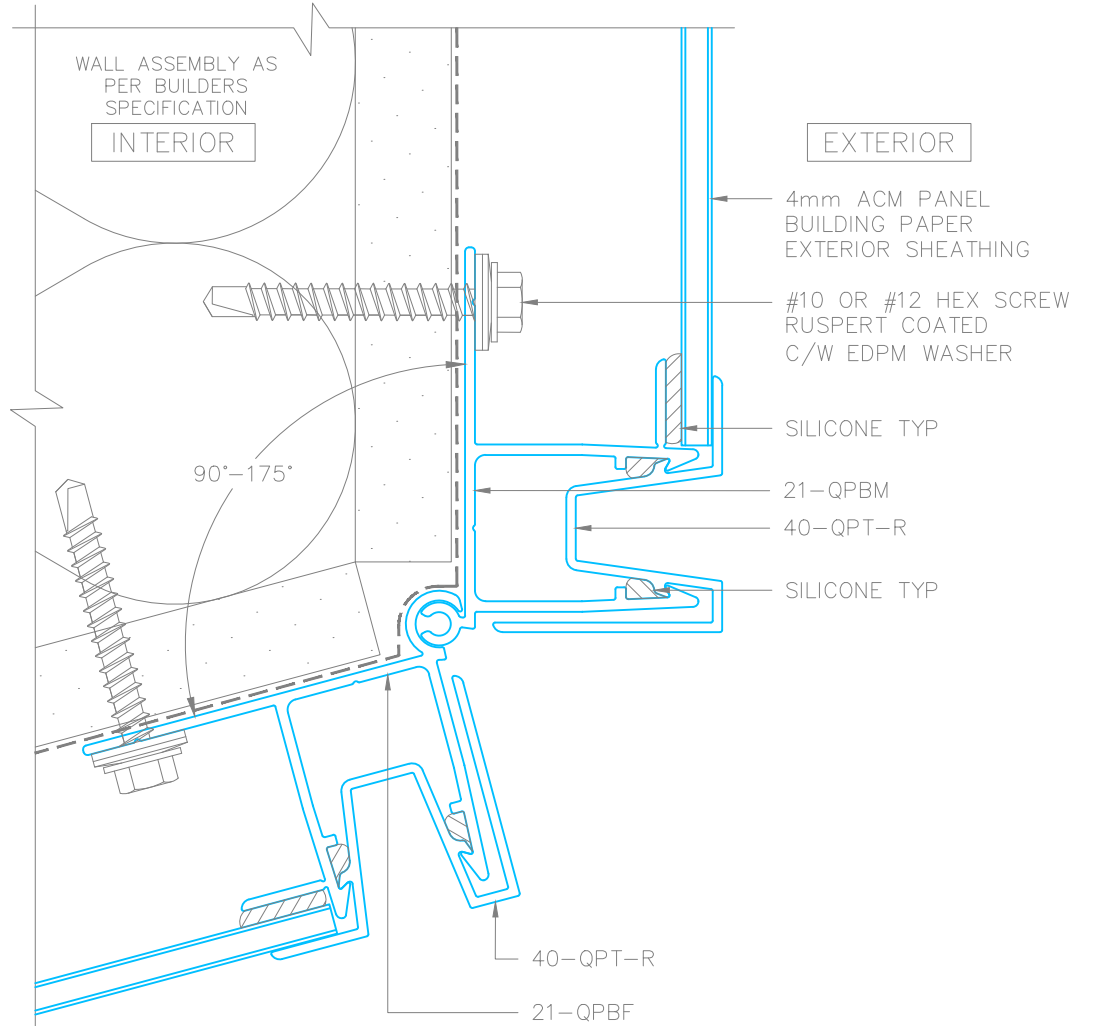
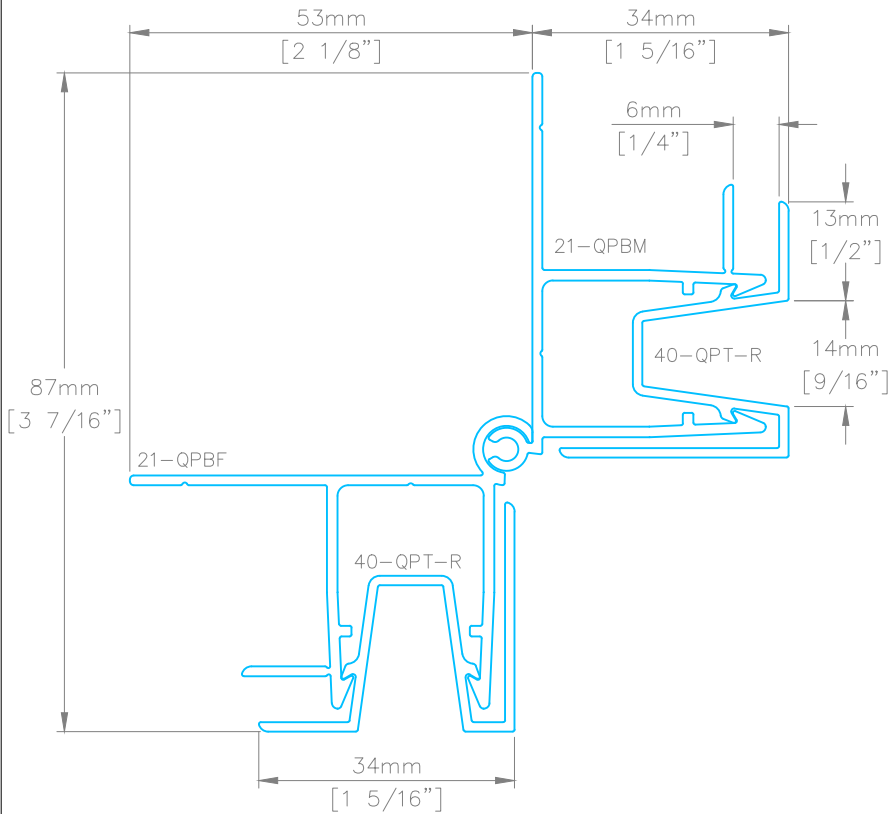
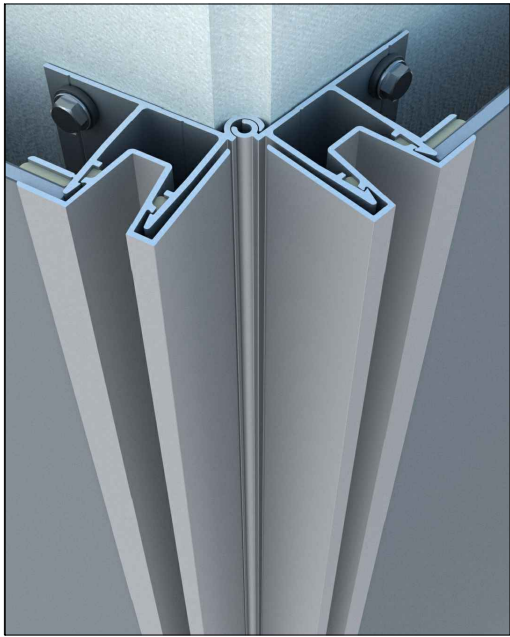
DESCRIPTION

ABSOLUTE MULTI-ANGLE INSIDE CORNER DETAIL




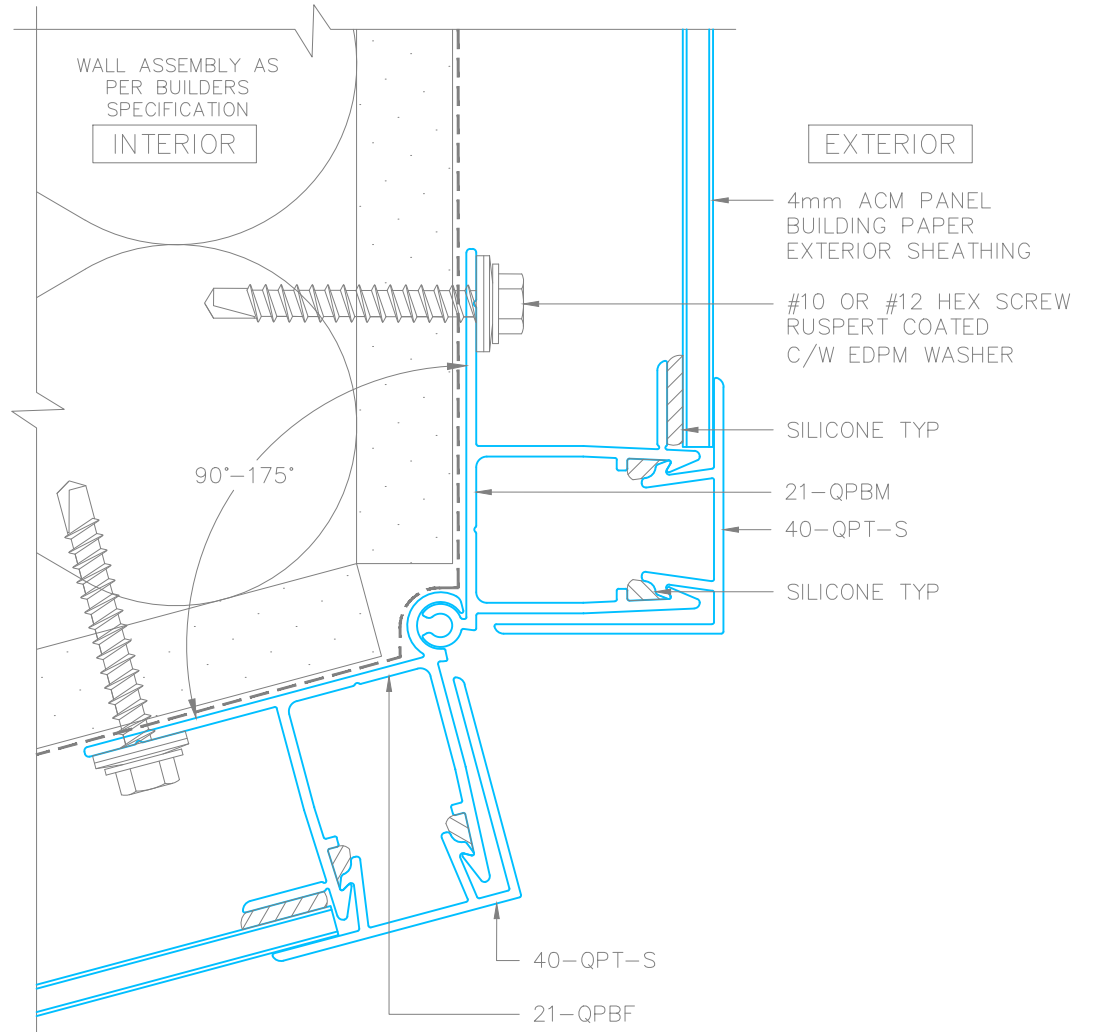
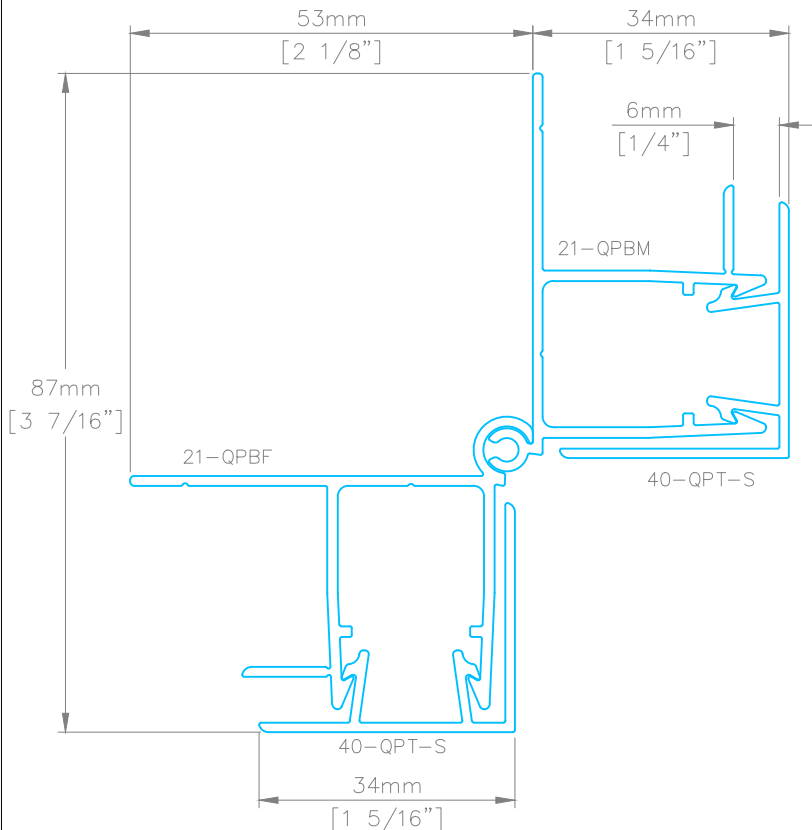
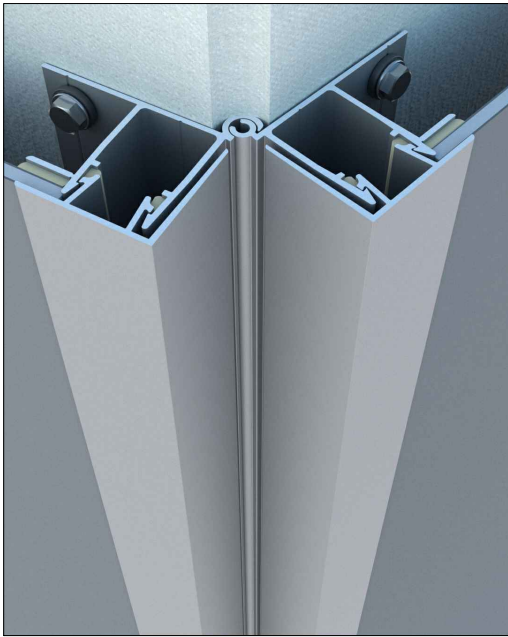
QuickPanel
Systems


SCALE	NTS	DRAWING NUMBER
DATE	MAR2026	QP3.7
DRWN BY	DLR/RD	

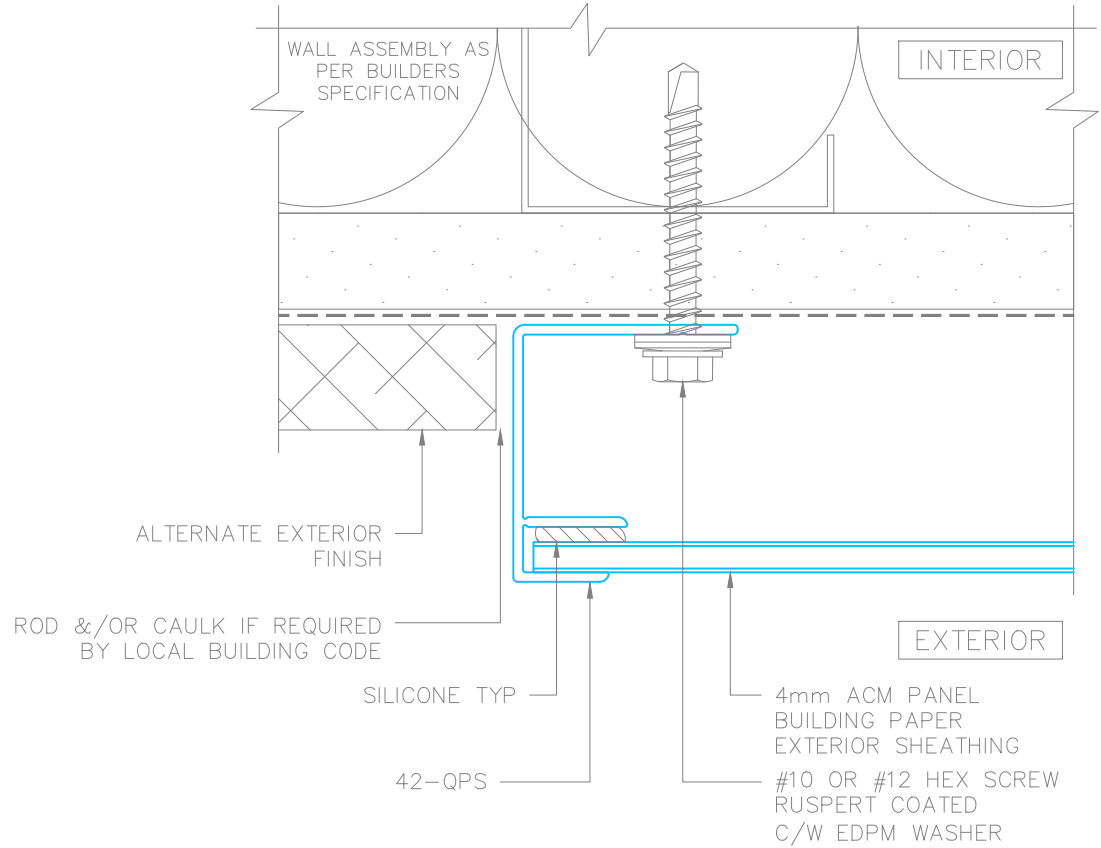
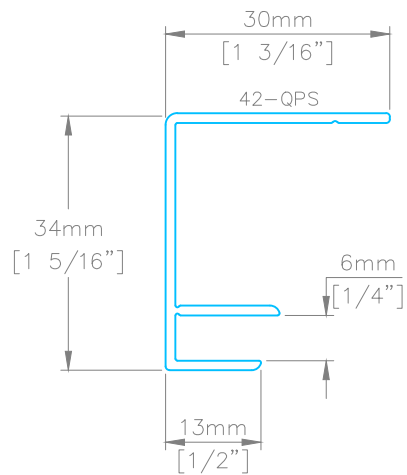
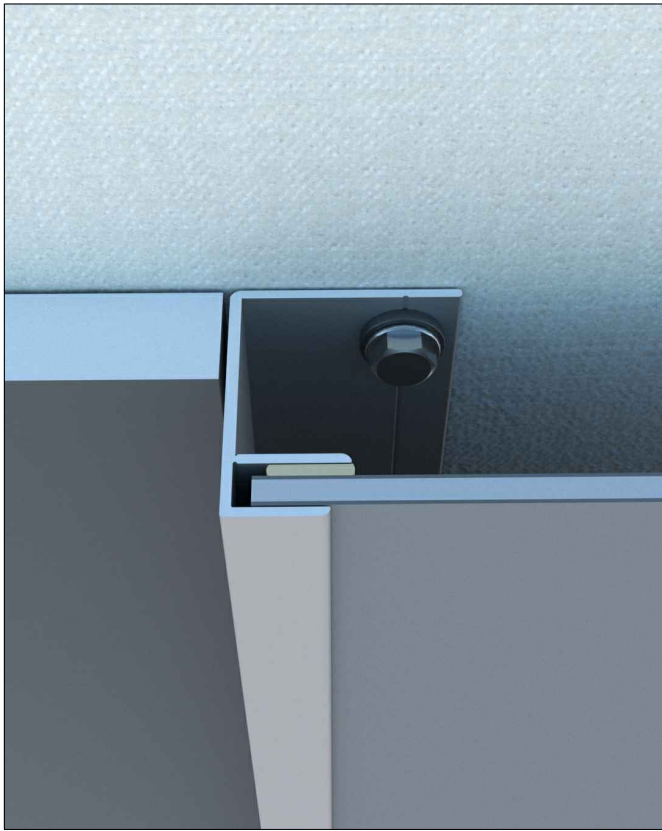


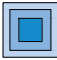
DESCRIPTION
REVEAL MULTI-ANGLE OUTSIDE CORNER DETAIL

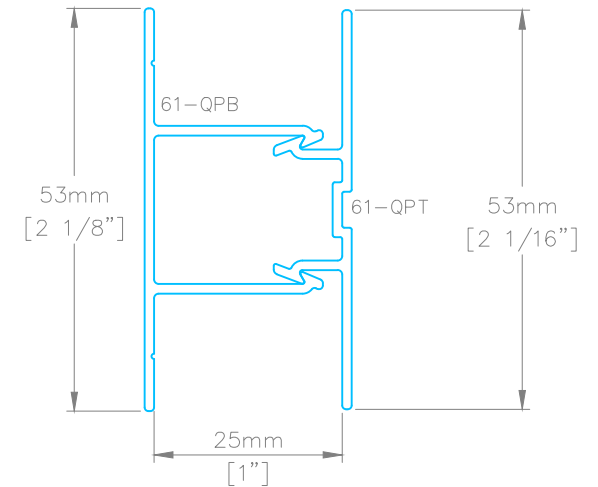
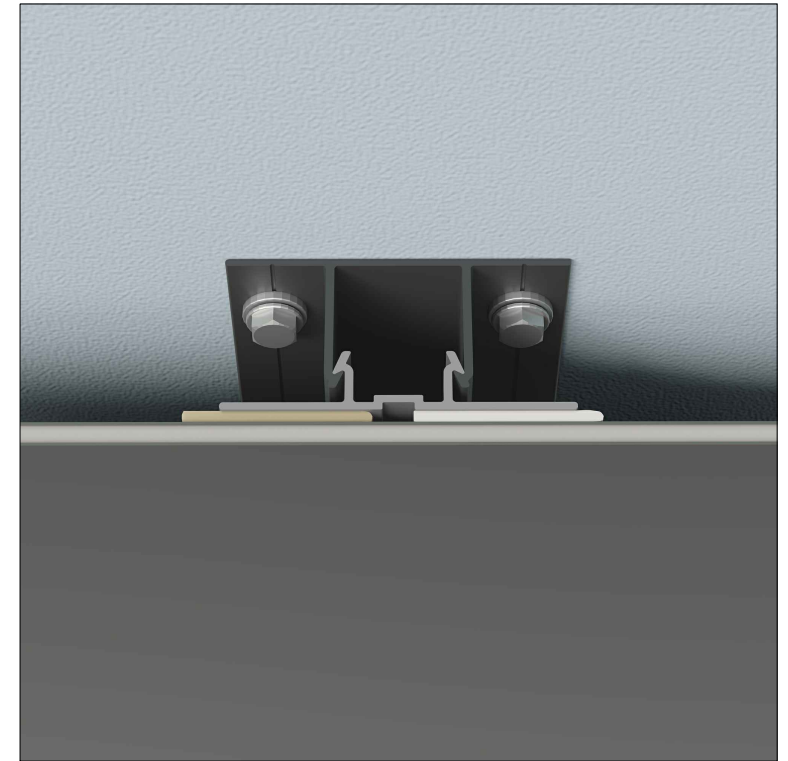
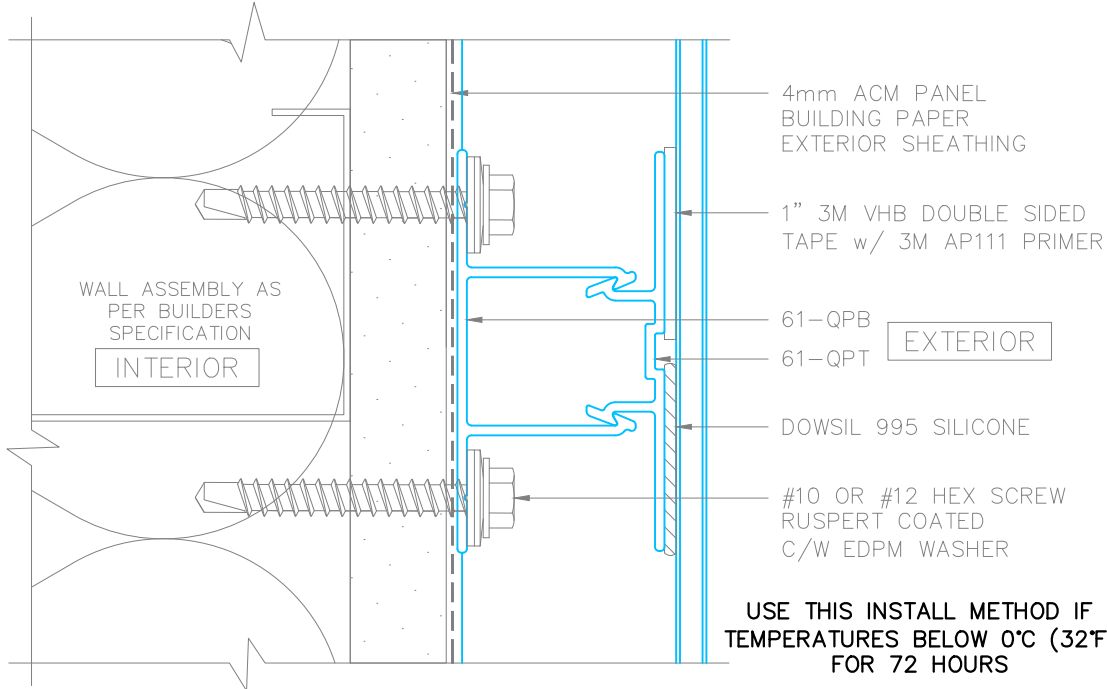
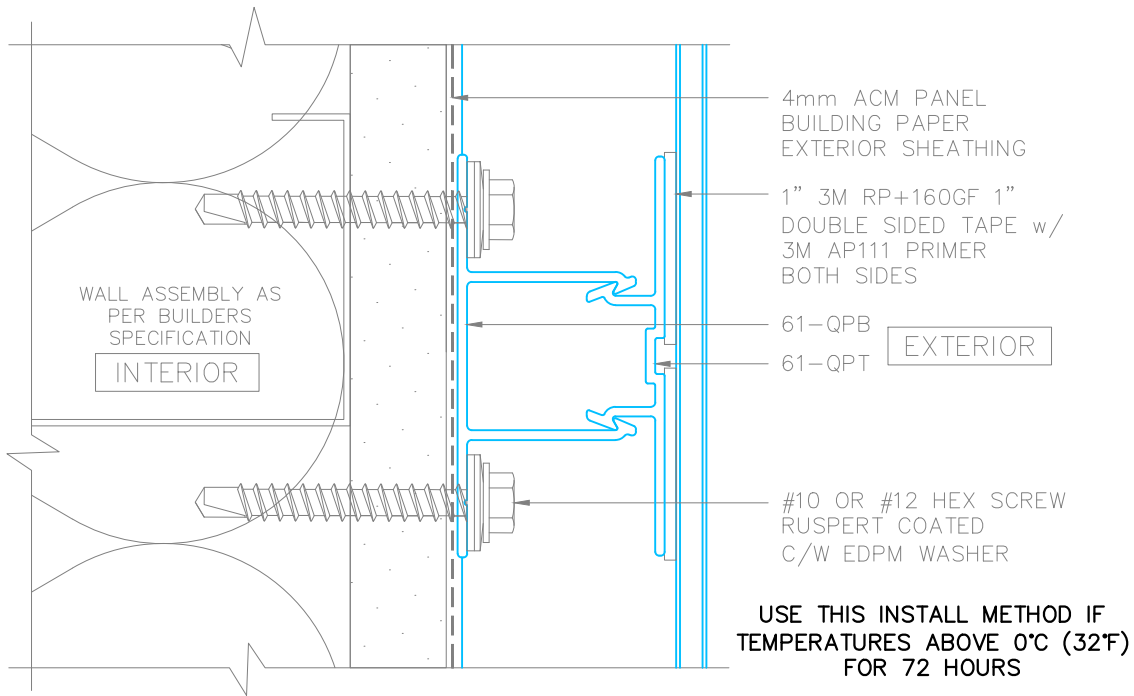
	SCALE	NTS	DRAWING NUMBER
	DATE	MAR2026	QP3.8
	DRWN BY	DLR/RD	



DESCRIPTION			
ABSOLUTE MULTI-ANGLE OUTSIDE CORNER DETAIL			
	SCALE	NTS	DRAWING NUMBER
	DATE	MAR2026	QP3.9
DRWN BY	DLR/RD		



DESCRIPTION			
GENERAL J TRIM DETAIL			
 QuickPanel Systems	SCALE	NTS	DRAWING NUMBER
	DATE	MAR2026	QP4.1
	DRWN BY	DLR/RD	



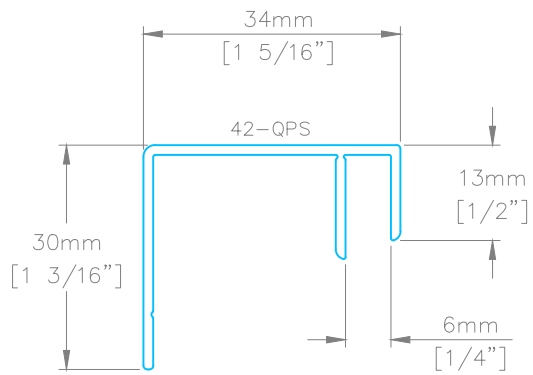
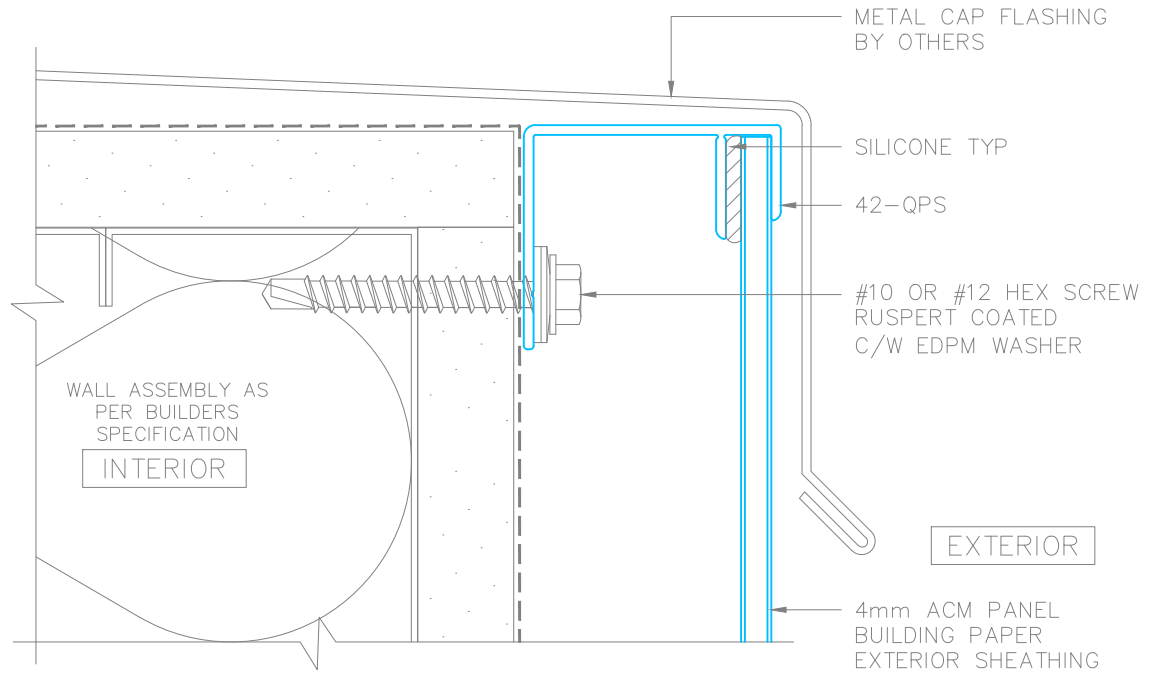
DESCRIPTION

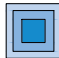
PANEL STIFFENER DETAIL



QuickPanel
Systems

SCALE	NTS	DRAWING NUMBER
DATE	MAR2025	QP4.2
DRWN BY	RD/HDJ	



DESCRIPTION			
1-PIECE J TRIM TERMINATION DETAIL			
 QuickPanel Systems	SCALE	NTS	DRAWING NUMBER
	DATE	MAR2026	QP4.3
	DRWN BY	RD/DLR	